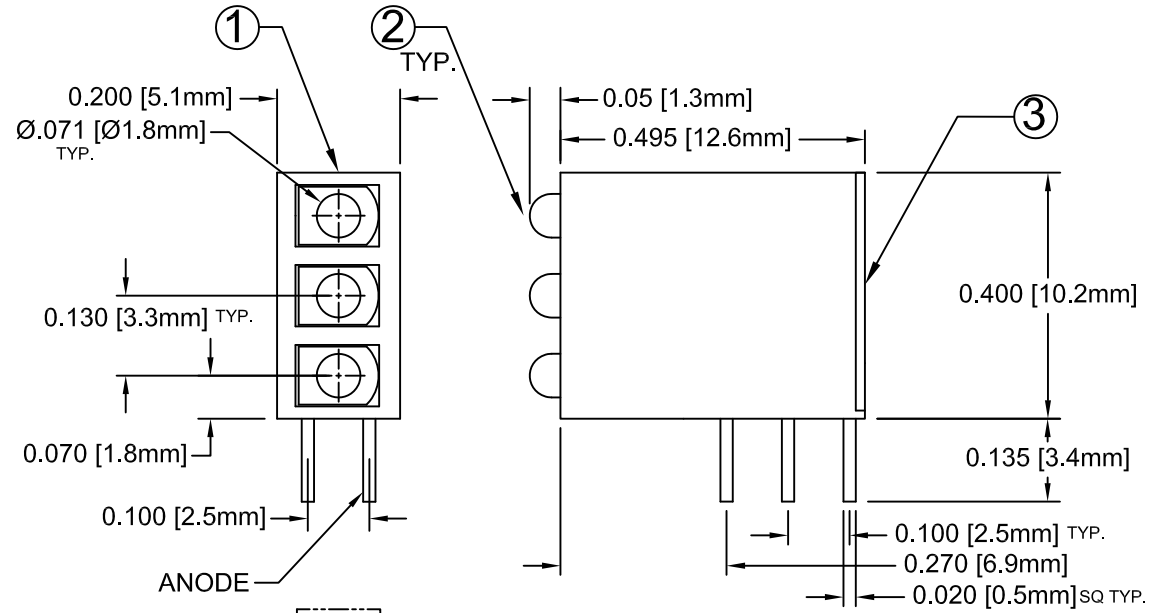


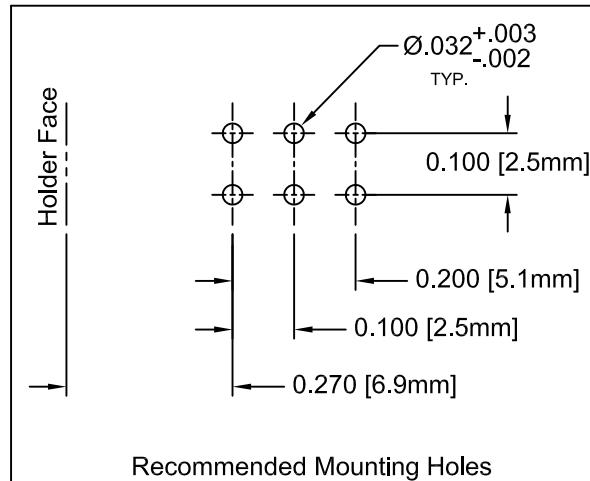
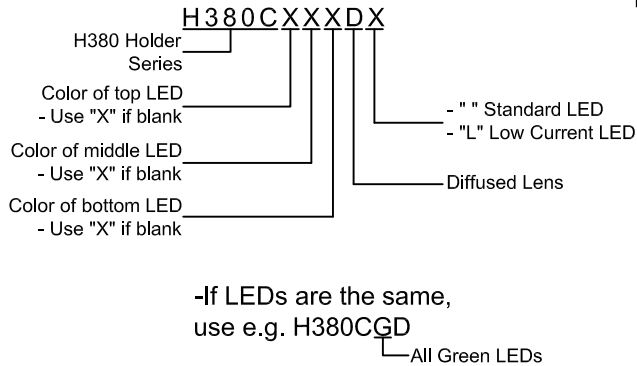
ITEM	Q'TY	PART NUMBER	PART DESCRIPTION
1	1	H-381C	Tri-Level Sub-Miniature (1.8mm) LED 90° Holder
2	3	1.8XXX	1.8 Sub-Miniature Radial LED, See Page 2
3	1	BCH-1020	Backplate

REV.	DESCRIPTION	DATE	APPROVED
B	Holder Update to H-381C, Same Fitment	09/12/07	M. C.
C	Added Backplate Feature	10/15/07	M. C.
D	Updated Item Number on Model	01/04/08	M. C.
E	Updated Part Number Designation	08/28/08	M. C.
F	Added 1.8BWD Specs	09/12/08	M. C.



NOTE: P/N DESIGNATION

**DIN 41494 COMPATIBLE
REVERSE POLARITY**




ABSOLUTE MAXIMUM RATINGS (Ta=25° C)

REVERSE VOLTAGE	_____	5V
REVERSE CURRENT	_____	100uA
OPERATING TEMPERATURE RANGE	_____	-40° C - 80° C
STORAGE TEMPERATURE	_____	-40° C - 100° C
LEAD SOLDERING TEMPERATURE(1/16" FROM BODY)	_____	260° C FOR 5 SECONDS

STANDARD TOLERANCE (UNLESS OTHERWISE SPECIFIED)		<p>BIVAR[®] 4 THOMAS, IRVINE, CA. 92618 TEL: (949) 951-8808 FAX: (949) 951-3974</p>
DECIMALS	ANGULAR	
.X ±.1	X° ± 1°	
.XX ±.02		<p>TITLE: SUB-MINIATURE (1.8MM) 90° TRI-LEVEL LED ASSEMBLY</p>
.XXX ±.010		
DESIGNED: Ty Yin	DATE: 03/08/04	PART NO: H380CXX REVISION: F
CHECKED: D. Green	DATE: 03/08/04	
CAGE CODE : 32559		SHEET # 1 OF 2
CAD GENERATED DOCUMENT, DO NOT MEASURE DRAWING.		

REV.	DESCRIPTION	DATE	APPROVED
	SEE SHEET#1.		

LED Assy. No.	Peak Wave Length λ_p (nm)	Emitted Color	Lens Appearance	Electro-Optical Data @ 20 mA				Viewing Angle $2\theta_{1/2}$ (Deg)	LED P/N
				If (mA)	Vf (V)		Iv (mcd)		
				TYP	TYP	MAX	TYP		
H380CBWD	430	BLUE	DIFFUSED	20	4.0	4.5	10	50	1.8BWD
H380CGD	568	GREEN	DIFFUSED	20	2.1	2.8	20	50	1.8GD
H380CYD	590	YELLOW	DIFFUSED	20	2.0	2.8	10	50	1.8YD
H380CHD	625	HE RED	DIFFUSED	20	2.0	2.8	20	50	1.8HD
H380CAD	605	AMBER	DIFFUSED	20	2.0	2.8	20	50	1.8AD
LOW CURRENT				Data @ 2 mA					
H380CGDL	568	GREEN	DIFFUSED	2	2.1	2.6	2.0	50	1.8GDL
H380CYDL	590	YELLOW	DIFFUSED	2	2.0	2.6	2.0	50	1.8YDL
H380CHDL	625	HE RED	DIFFUSED	2	2.0	2.6	2.0	50	1.8HDL

STANDARD TOLERANCE (UNLESS OTHERWISE SPECIFIED) $\pm 10\%$ ALL VALUES		 BIVAR [®] 4 THOMAS, IRVINE, CA. 92618 TEL: (949) 951-8808 FAX: (949) 951-3974	
ANGULAR $X^\circ \pm 5^\circ$			
DESIGNED: Ty Yin		DATE: 03/08/04	TITLE: SUB-MINIATURE (1.8MM) 90° TRI-LEVEL LED ASSEMBLY
CHECKED: D. Green		DATE: 03/08/04	PART NO: H380CXX
		CAGE CODE : 32559	REVISION: F
		SHEET # 2 OF 2	
CAD GENERATED DOCUMENT, DO NOT MEASURE DRAWING.			

X-ON Electronics

Largest Supplier of Electrical and Electronic Components

Click to view similar products for [LED Circuit Board Indicators](#) category:

Click to view products by [Bivar](#) manufacturer:

Other Similar products are found below :

[568-0701-841F](#) [LTL-4221NH129](#) [LTL-42DGNMHDP1](#) [HLMP1521101](#) [HLMP1523802F](#) [HLMP1700101F](#) [HLMP1700104F](#) [SMF-HM1530YD-305](#) [SSF-LXH409SYSUGW](#) [AM2520EHSGD](#) [HLMP1301104F](#) [HLMP1385101F](#) [HLMP1421101](#) [HLMP1503103F](#) [HLMP1503104F](#) [HLMP1700102F](#) [HLMP1700106F](#) [HLMP1700107F](#) [HLMP1790101F](#) [HLMP1790103F](#) [LTL-4211NHBP](#) [5390H3](#) [551-2802F](#) [552-0794-810F](#) [553-0222-812F](#) [HT3-BC-T](#) [564-0700-831F](#) [WP59BLGEW](#) [103-3101-1231-403](#) [5502407811F](#) [550-3007-810F](#) [551-3307MF](#) [552080-1](#) [573-2399-100F](#) [5932-927-2701-3F](#) [SMF-HM1530SRD-509](#) [SSF-LXH100MID](#) [SSF-LXH2103SRSDRP](#) [SSF-LXH555USBW](#) [WP937SB/4YGW](#) [WP937EB2EGW](#) [551-0312-802F](#) [553-0110-802F](#) [561-5501-050F](#) [6202T3-5VLC](#) [LTL-307G08A-D](#) [CMD57164](#) [568-2231-313F](#) [568-0102-809F](#) [568-0102-808F](#)