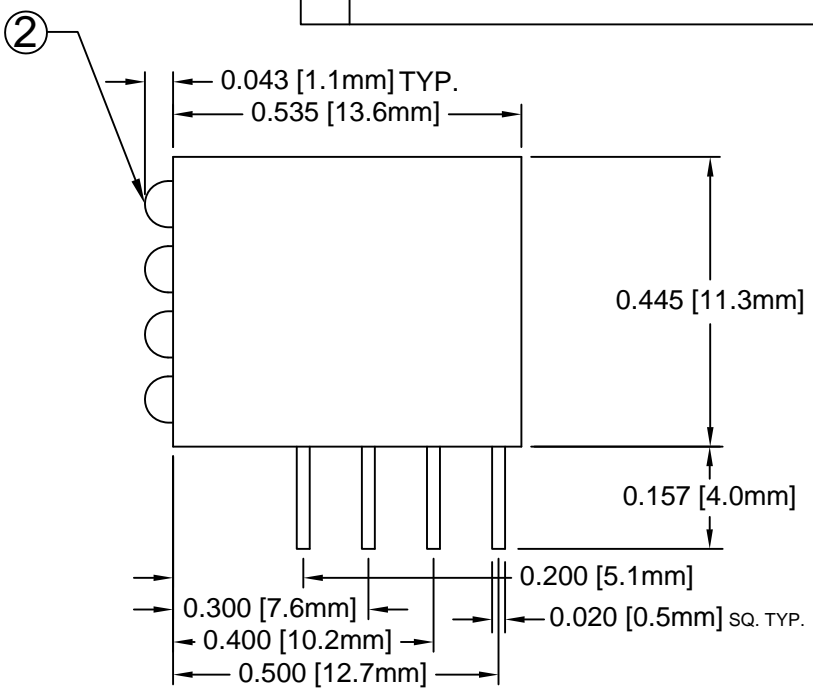
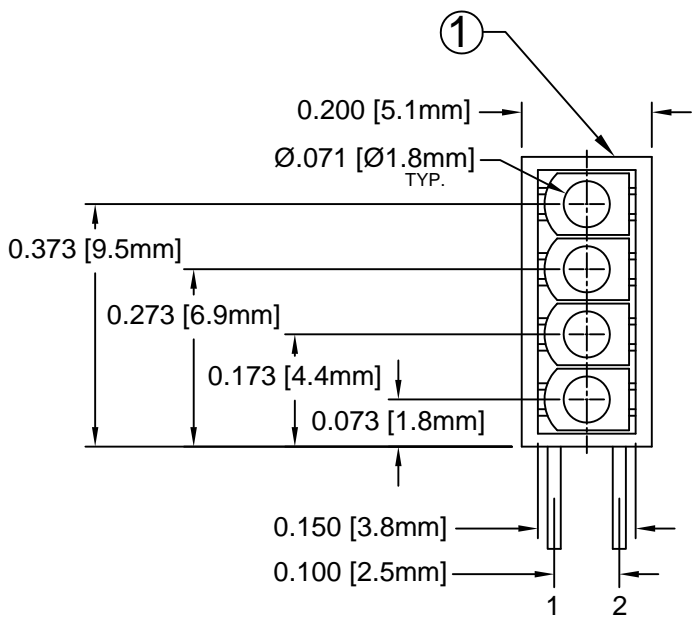


ITEM	Q'TY	PART NUMBER	PART DESCRIPTION
1	1	H-485C	Quad-Level Sub-Miniature (1.8mm) LED 90° Holder
2	4	1.8XXX	Sub-Miniature (1.8mm) Radial LED, See Page 2

REV.	DESCRIPTION	DATE	APPROVED
A	Engineering Update w/o Changes	03/08/04	M. C.
B	Added P/N Configuration and LED Specs	09/17/09	T. Y.
C	Added H485CBC & H485CBC-Y/G Specs	08/04/16	J. C.



BI-COLOR POLARITY		
LED P/N	(1) CATHODE	(2) CATHODE
1.8BC	GREEN	HE RED
1.8BC-Y/G	GREEN	YELLOW



**NOTE: P/N CONFIGURATION**  
**H485CXXXXDX**

- H-485C Holder Series
- Color of top LED - "X" if blank
- Color of 2nd from top LED - "X" if blank
- Color of 3rd from top LED - "X" if blank
- " " Standard LED
- "L" Low Current LED
- Lens Appearance
- Color of bottom LED - Use "X" if blank

-If LEDs are the same, use e.g. H485CGD

e.g. **H485CRYGXD**

- Series
- Diffused Lens Appearance
- No LED
- Green, 3rd from top
- Yellow, 2nd from top
- Red, top LED
- All Green LEDs

### ABSOLUTE MAXIMUM RATINGS (Ta=25° C)

REVERSE VOLTAGE \_\_\_\_\_ 5V

REVERSE CURRENT \_\_\_\_\_ 100uA

OPERATING TEMPERATURE RANGE \_\_\_\_\_ -25° C - 85° C

STORAGE TEMPERATURE \_\_\_\_\_ -30° C - 100° C

LEAD SOLDERING TEMPERATURE(1/16" FROM BODY) \_\_\_\_\_ 260° C FOR 5 SECONDS

STANDARD TOLERANCE (UNLESS OTHERWISE SPECIFIED)	DECIMALS	ANGULAR	
	.X ± .1	X° ± 1°	
	.XX ± .02		4 THOMAS, IRVINE, CA. 92618
	.XXX ± .010		TEL: (949) 951-8808 FAX: (949) 951-3974
DESIGNED: <b>T. Yin</b>	DATE: <b>03/08/04</b>		<b>TITLE:</b> SUB-MINIATURE (1.8MM) 90° QUAD-LEVEL LED ASSEMBLY
CHECKED: <b>D. Green</b>	DATE: <b>03/08/04</b>		<b>PART NO:</b> H485CXX
		<b>CAGE CODE : 32559 SHEET # 1 OF 2</b>	
CAD GENERATED DOCUMENT. DO NOT MEASURE DRAWING.			

REV.	DESCRIPTION	DATE	APPROVED
	SEE SHEET #1		

LED Assy. No.	Peak Wave Length $\lambda_p$ (nm)	Emitted Color	Lens Appearance	Electro-Optical Data				Viewing Angle $2\theta_{1/2}$ (Deg)	LED P/N
				If (mA)	Vf (V)		Iv (mcd)		
				TYP	TYP	MAX	TYP		
<b>STANDARD</b>				<b>Data @ 20mA</b>					
H485CAD	605	AMBER	DIFFUSED	20	2.0	2.8	20	50	1.8AD
H485CBWD	430	BLUE	DIFFUSED	20	4.0	4.5	10	50	1.8BWD
H485CGD	568	GREEN	DIFFUSED	20	2.1	2.8	20	50	1.8GD
H485CHD	625	HE RED	DIFFUSED	20	2.0	2.8	20	50	1.8HD
H485CRD	700	RED	DIFFUSED	20	2.1	2.8	2	50	1.8RD
H485CYD	590	YELLOW	DIFFUSED	20	2.0	2.8	10	50	1.8YD
H485CBC	635	HE RED	WHITE	20	2.0	2.6	4.2	50	1.8BC
	568	GREEN	DIFFUSED	20	2.2	2.6	6.5		
H485CBC-Y/G	590	YELLOW	WHITE	20	2.0	2.8	3.5	50	1.8BC-Y/G
	568	GREEN	DIFFUSED	20	2.1	2.8	4.5		
<b>LOW CURRENT</b>				<b>Data @ 2mA</b>					
H485CADL	605	AMBER	DIFFUSED	2	2.0	2.6	2	50	1.8ADL
H485CBWDL	430	BLUE	DIFFUSED	2	3.8	4.2	1	50	1.8BWDL
H485CGDL	568	GREEN	DIFFUSED	2	2.1	2.6	2	50	1.8GDL
H485CHDL	625	HE RED	DIFFUSED	2	2.0	2.6	2	50	1.8HDL
H485CYDL	590	YELLOW	DIFFUSED	2	2.0	2.6	1	50	1.8YDL

STANDARD TOLERANCE ( UNLESS OTHERWISE SPECIFIED ) $\pm 10\%$ ALL VALUES    ANGULAR		 4 THOMAS, IRVINE, CA. 92618 TEL: (949) 951-8808    FAX: (949) 951-3974	
DESIGNED: <b>T. Yin</b>		DATE: <b>03/08/04</b>	 <b>TITLE: SUB-MINIATURE (1.8MM) 90° QUAD-LEVEL LED ASSEMBLY</b>
CHECKED: <b>D. Green</b>		DATE: <b>03/08/04</b>	<b>PART NO: H485CXX</b> REVISION: <b>C</b>
		<b>CAGE CODE : 32559</b>	<b>SHEET # 2 OF 2</b>
CAD GENERATED DOCUMENT. DO NOT MEASURE DRAWING.			

## X-ON Electronics

Largest Supplier of Electrical and Electronic Components

*Click to view similar products for [LED Circuit Board Indicators](#) category:*

*Click to view products by [Bivar](#) manufacturer:*

Other Similar products are found below :

[568-0701-841F](#) [LTL-4221NH129](#) [LTL-42DGNMHDP1](#) [HLMP1521101](#) [HLMP1523802F](#) [HLMP1700101F](#) [HLMP1700104F](#) [SMF-HM1530YD-305](#) [SSF-LXH409SYSUGW](#) [AM2520EHSGD](#) [HLMP1301104F](#) [HLMP1385101F](#) [HLMP1421101](#) [HLMP1503103F](#) [HLMP1503104F](#) [HLMP1700102F](#) [HLMP1700106F](#) [HLMP1700107F](#) [HLMP1790101F](#) [HLMP1790103F](#) [LTL-4211NHBP](#) [5390H3](#) [551-2802F](#) [552-0794-810F](#) [553-0222-812F](#) [HT3-BC-T](#) [564-0700-831F](#) [WP59BLGEW](#) [103-3101-1231-403](#) [5502407811F](#) [550-3007-810F](#) [551-3307MF](#) [552080-1](#) [573-2399-100F](#) [5932-927-2701-3F](#) [SMF-HM1530SRD-509](#) [SSF-LXH100MID](#) [SSF-LXH2103SRSDRP](#) [SSF-LXH555USBW](#) [WP937SB/4YGW](#) [WP937EB2EGW](#) [551-0312-802F](#) [553-0110-802F](#) [561-5501-050F](#) [6202T3-5VLC](#) [LTL-307G08A-D](#) [CMD57164](#) [568-2231-313F](#) [568-0102-809F](#) [568-0102-808F](#)