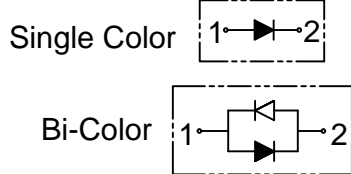
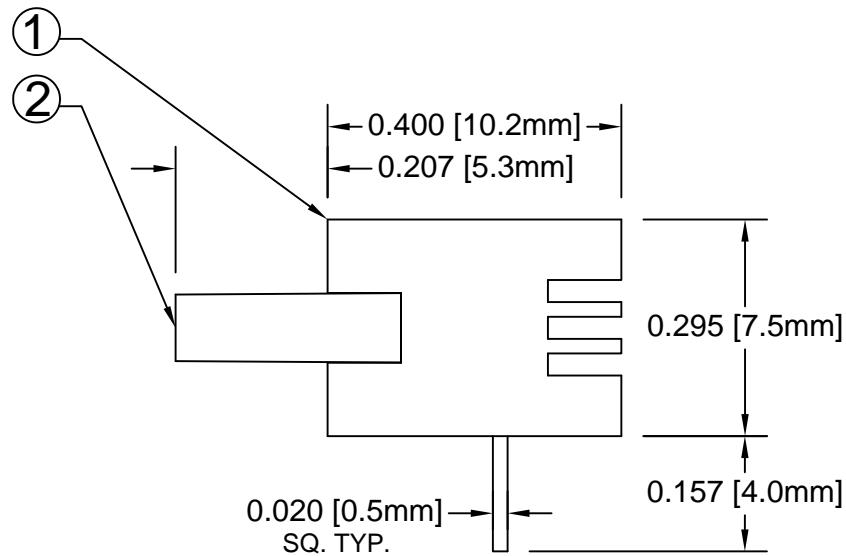
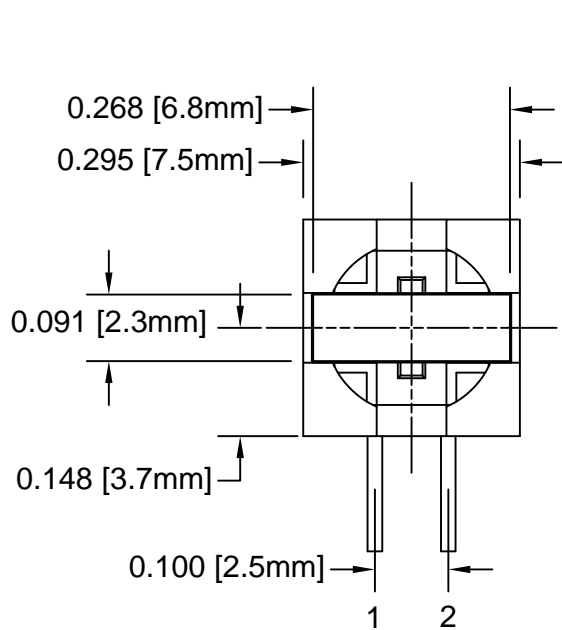
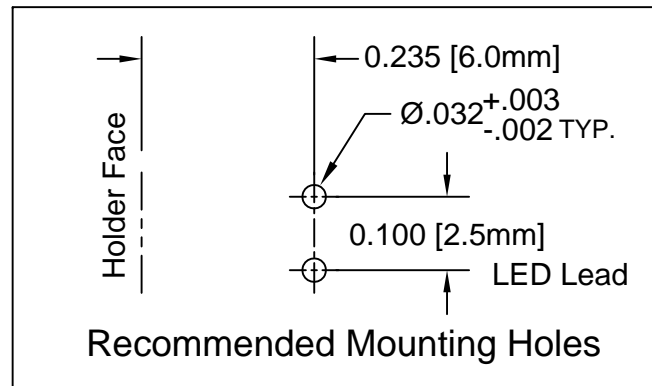


ITEM	Q'TY	PART NUMBER	PART DESCRIPTION
1	1	922-343	Multi-Functional Single LED Holder
2	1	R7XX	2x7mm Rectangular LED, See Page 2

REV.	DESCRIPTION	DATE	APPROVED
A	Engineering Update w/o Changes	03/08/04	M. C.
B	Added R7BC-Y/G & R7BC-R/Y LEDs	08/04/16	J. C.



BI-COLOR POLARITY		
LED P/N	(1) CATHODE	(2) CATHODE
R7BC	GREEN	RED
R7BC-Y/G	GREEN	YELLOW
R7BC-R/Y	YELLOW	RED



### ABSOLUTE MAXIMUM RATINGS (Ta=25° C)

REVERSE VOLTAGE \_\_\_\_\_ 5V

REVERSE CURRENT \_\_\_\_\_ 100uA

OPERATING TEMPERATURE RANGE \_\_\_\_\_ -25° C - 85° C


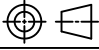
STORAGE TEMPERATURE \_\_\_\_\_ -30° C - 100° C

LEAD SOLDERING TEMPERATURE(1/16" FROM BODY) \_\_\_\_\_ 260° C FOR 5 SECONDS

STANDARD TOLERANCE (UNLESS OTHERWISE SPECIFIED)		 4 THOMAS, IRVINE, CA. 92618 TEL: (949) 951-8808 FAX: (949) 951-3974	
DECIMALS	ANGULAR		
.X ± .1	X° ± 1°	 <b>TITLE:</b> RECTANGULAR 2X7MM HORIZ 90° SINGLE-LEVEL LED ASSY	
.XX ± .02			
.XXX ± .010			
DESIGNED: <b>T. Yin</b>	DATE: <b>03/08/04</b>	<b>PART NO:</b> H921HR7XX	REVISION: <b>B</b>
CHECKED: <b>D. Green</b>	DATE: <b>03/08/04</b>	<b>CAGE CODE :</b> 32559	<b>SHEET #</b> 1 OF 2
CAD GENERATED DOCUMENT. DO NOT MEASURE DRAWING.			

REV.	DESCRIPTION	DATE	APPROVED
	SEE SHEET #1		

LED Assy. No.	Peak Wave Length $\lambda_p$ (nm)	Emitted Color	Lens Appearance	Abs. Max. Rating	Electro-Optical Data @ 20mA			Viewing Angle $2\theta_{1/2}$ (Deg)	LED P/N
				If (mA)	Vf (V)		Iv (mcd)		
					TYP	MAX	TYP		
H921HR7GD	565	GREEN	DIFFUSED	30	2.2	2.6	7	125	R7GD
H921HR7YD	585	YELLOW	DIFFUSED	30	2.1	2.6	5	125	R7YD
H921HR7RD	655	RED	DIFFUSED	40	1.7	2.0	1	125	R7RD
H921HR7BC	635	RED	DIFFUSED	30	2.0	2.6	6	120	R7BC
	568	GREEN		30	2.2	2.6	6		
H921HR7BC-Y/G	585	YELLOW	DIFFUSED	30	2.1	2.6	5	120	R7BC-Y/G
	568	GREEN		30	2.2	2.6	6		
H921HR7BC-R/Y	640	RED	DIFFUSED	30	2.0	2.6	6	120	R7BC-R/Y
	585	YELLOW		30	2.1	2.6	6		

STANDARD TOLERANCE ( UNLESS OTHERWISE SPECIFIED ) $\pm 10\%$ ALL VALUES    ANGULAR		 <b>BIVAR</b> <sup>®</sup> 4 THOMAS, IRVINE, CA. 92618 TEL: (949) 951-8808    FAX: (949) 951-3974	
			
DESIGNED: <b>T. Yin</b>	DATE: <b>03/08/04</b>	<b>TITLE:</b> RECTANGULAR 2X7MM HORIZ. 90° SINGLE-LEVEL LED ASSY	
CHECKED: <b>D. Green</b>	DATE: <b>03/08/04</b>	<b>PART NO:</b> H921HR7XX	<b>REVISION:</b> B
		<b>CAGE CODE :</b> 32559	<b>SHEET #</b> 2 OF 2
CAD GENERATED DOCUMENT. DO NOT MEASURE DRAWING.			

## X-ON Electronics

Largest Supplier of Electrical and Electronic Components

*Click to view similar products for [LED Circuit Board Indicators](#) category:*

*Click to view products by [Bivar](#) manufacturer:*

Other Similar products are found below :

[568-0701-841F](#) [5693F1\\_7\\_1-A](#) [LTL-42DGNMHDP1](#) [HLMP1503108F](#) [HLMP1521101](#) [HLMP1790105F](#) [SMF-HM1530YD-305](#)  
[AM2520EHSGD](#) [HLMP1301104F](#) [HLMP1421101](#) [LTL-4211NHBP](#) [5390H3](#) [552-0794-810F](#) [553-0222-812F](#) [564-0700-831F](#)  
[WP59BLGEW](#) [WP937SB/4EGW](#) [103-3101-1231-403](#) [550-3007-810F](#) [551-3307MF](#) [573-2399-100F](#) [SSF-LXH100MID](#) [SSF-](#)  
[LXH2103SRSRDRP](#) [WP937SB/4YGW](#) [551-0312-802F](#) [553-0110-802F](#) [6202T3-5VLC](#) [568-0102-809F](#) [568-0102-808F](#) [SSF-LXH513SUGD](#)  
[HLMPK101101F](#) [591-3001-113N-SNF](#) [551-2809MF](#) [566-3505F](#) [5933-535-3531-3F](#) [591-2601-107F](#) [A93B/G](#) [L-7104EB/2GD](#) [H101CGC](#)  
[H401CHD](#) [H201CGHD](#) [H380CHD](#) [H921HR7GD](#) [H380CYD](#) [H401CGD](#) [LTL-42M4NH106](#) [550-0207-100F](#) [550-0307-100F](#) [550-0407-100F](#)  
[550-0507-100F](#)