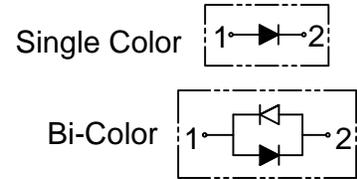
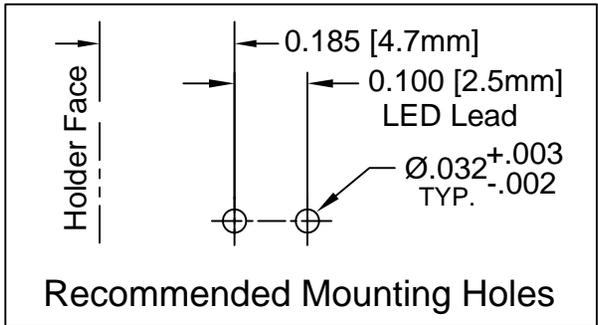
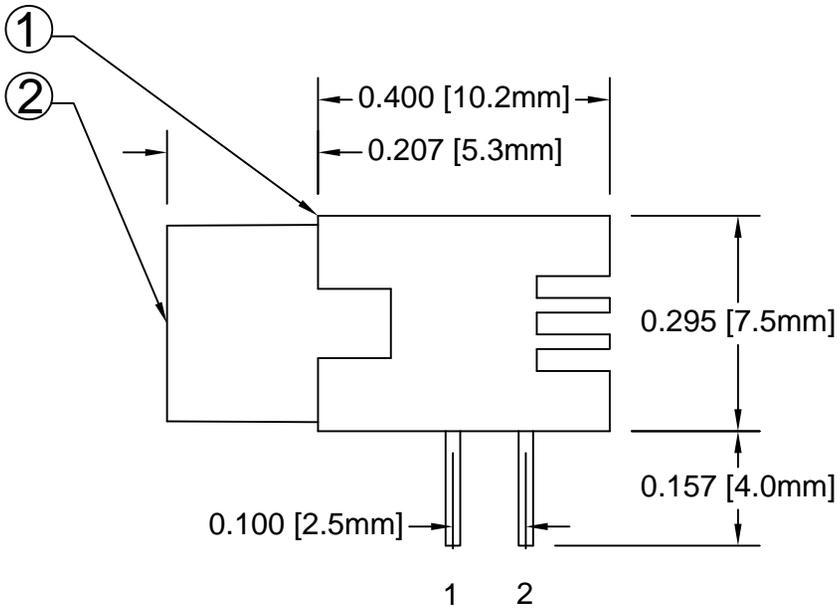
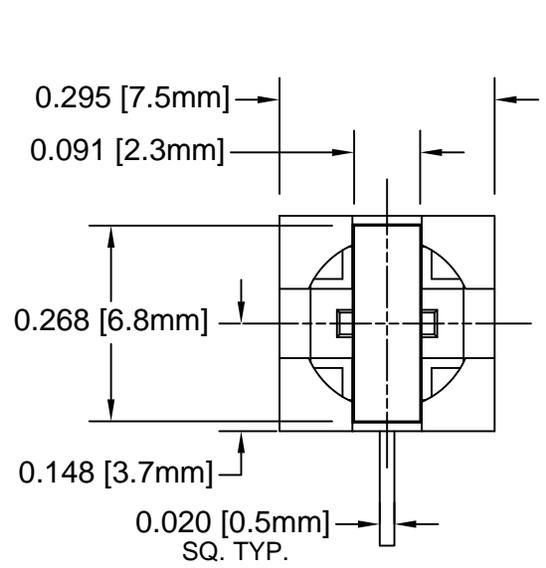


ITEM	Q'TY	PART NUMBER	PART DESCRIPTION
1	1	922-343	Multi-Functional Single LED Holder
2	1	R7XX	2x7mm Rectangular LED, See Page 2

REV.	DESCRIPTION	DATE	APPROVED
B	Engineering Update w/o Changes	03/08/04	M. C.
C	Added R7BC-XX LEDs	09/28/06	M. C.
D	Engineering Update w/o Changes	07/30/16	J. C.



BI-COLOR POLARITY		
LED P/N	(1) CATHODE	(2) CATHODE
R7BC	GREEN	RED
R7BC-Y/G	GREEN	YELLOW
R7BC-R/Y	YELLOW	RED

### ABSOLUTE MAXIMUM RATINGS (Ta=25° C)

REVERSE VOLTAGE \_\_\_\_\_ 5V  
 REVERSE CURRENT \_\_\_\_\_ 100uA  
 OPERATING TEMPERATURE RANGE \_\_\_\_\_ -25° C - 85° C  
 STORAGE TEMPERATURE \_\_\_\_\_ -30° C - 100° C  
 LEAD SOLDERING TEMPERATURE(1/16" FROM BODY) \_\_\_\_\_ 260° C FOR 5 SECONDS

STANDARD TOLERANCE (UNLESS OTHERWISE SPECIFIED)	
DECIMALS	ANGULAR
.X ± .1	X° ± 1°
.XX ± .02	
.XXX ± .010	



DESIGNED: **D. Green**  
 CHECKED: **M. Chen**

DATE: **10/10/03**  
 DATE: **10/10/03**

TITLE: **RECTANGULAR 2X7MM VERT. 90° SINGLE-LEVEL LED ASSY**  
 PART NO: **H921VR7XX**  
 CAGE CODE : **32559** SHEET # **1 OF 2**  
 REVISION: **D**  
 CAD GENERATED DOCUMENT. DO NOT MEASURE DRAWING.

REV.	DESCRIPTION	DATE	APPROVED
	SEE SHEET #1		

LED Assy. No.	Peak Wave Length $\lambda_p$ (nm)	Emitted Color	Lens Appearance	Abs. Max. Rating	Electro-Optical Data @ 20mA			Viewing Angle $2\theta_{1/2}$ (Deg)	LED P/N
				If (mA)	Vf (V)		Iv (mcd)		
					TYP	MAX	TYP		
H921VR7GD	565	GREEN	DIFFUSED	30	2.2	2.6	7	125	R7GD
H921VR7YD	585	YELLOW	DIFFUSED	30	2.1	2.6	5	125	R7YD
H921VR7RD	655	RED	DIFFUSED	40	1.7	2.0	1	125	R7RD
H921VR7BC	635	RED	DIFFUSED	30	2.0	2.6	6	120	R7BC
	568	GREEN		30	2.2	2.6	6		
H921VR7BC-Y/G	585	YELLOW	DIFFUSED	30	2.1	2.6	5	120	R7BC-Y/G
	568	GREEN		30	2.2	2.6	6		
H921VR7BC-R/Y	640	RED	DIFFUSED	30	2.0	2.6	6	120	R7BC-R/Y
	585	YELLOW		30	2.1	2.6	6		

STANDARD TOLERANCE ( UNLESS OTHERWISE SPECIFIED ) $\pm 10\%$ ALL VALUES    ANGULAR		 <b>BIVAR</b> <sup>®</sup> 4 THOMAS, IRVINE, CA. 92618 TEL: (949) 951-8808    FAX: (949) 951-3974	
			
DESIGNED: <b>D. Green</b>	DATE: <b>10/10/03</b>	<b>TITLE:</b> RECTANGULAR 2X7MM VERT. 90° SINGLE-LEVEL LED ASSY.	
CHECKED: <b>M. Chen</b>	DATE: <b>10/10/03</b>	<b>PART NO:</b> H921VR7XX	<b>REVISION:</b> D
		<b>CAGE CODE :</b> 32559	<b>SHEET # 2 OF 2</b>
CAD GENERATED DOCUMENT. DO NOT MEASURE DRAWING.			

## X-ON Electronics

Largest Supplier of Electrical and Electronic Components

*Click to view similar products for [LED Circuit Board Indicators](#) category:*

*Click to view products by [Bivar](#) manufacturer:*

Other Similar products are found below :

[568-0200-132F](#) [568-0701-841F](#) [568-0734-832F](#) [569-0312-300F](#) [591-2001-107F](#) [592-2222-302F](#) [592-2424-302F](#) [LTL-4221NH129](#) [LTL-42DGNMHDP1](#) [LTM-260-5HT](#) [H131CSRT-120](#) [HLMP1503108F](#) [HLMP1521101](#) [HLMP1523802F](#) [HLMP1700101F](#) [HLMP1700104F](#) [HLMP1790105F](#) [BHA-1564-G](#) [SMF-HM1530YD-305](#) [SSF-LXH103SUGD-04](#) [AM2520EHSGD](#) [HLMP1301104F](#) [HLMP1385101F](#) [HLMP1421101](#) [HLMP1503103F](#) [HLMP1503104F](#) [HLMP1700102F](#) [HLMP1700106F](#) [HLMP1700107F](#) [HLMP1790101F](#) [HLMP1790103F](#) [LTL-4211NHBP](#) [5320F7](#) [5330H7](#) [5350T7](#) [5352T1-5VLC](#) [5352T5-5VLC](#) [5370T7LC](#) [550-1112F](#) [550-3107-010F](#) [551-0206-003F](#) [551-0207-815F](#) [551-0212-801F](#) [551-2802F](#) [552-0794-810F](#) [552-0821F](#) [552-6033-200F](#) [553-0001-808F](#) [553-0122-818F](#) [553-0171F](#)