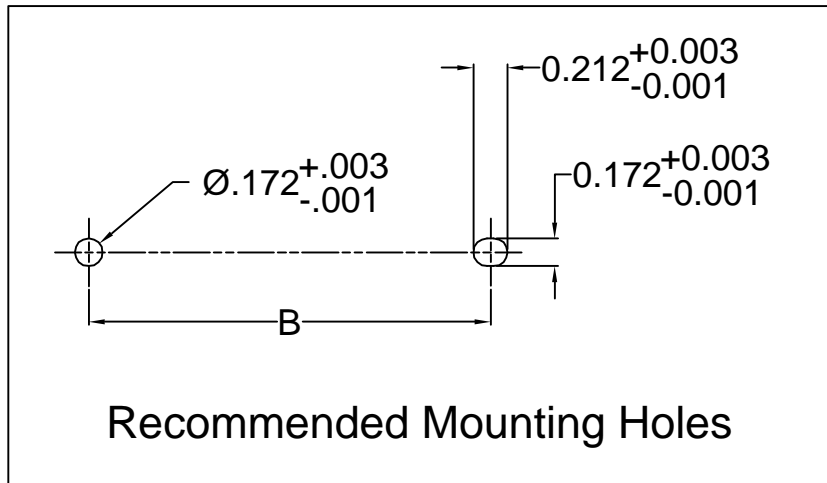
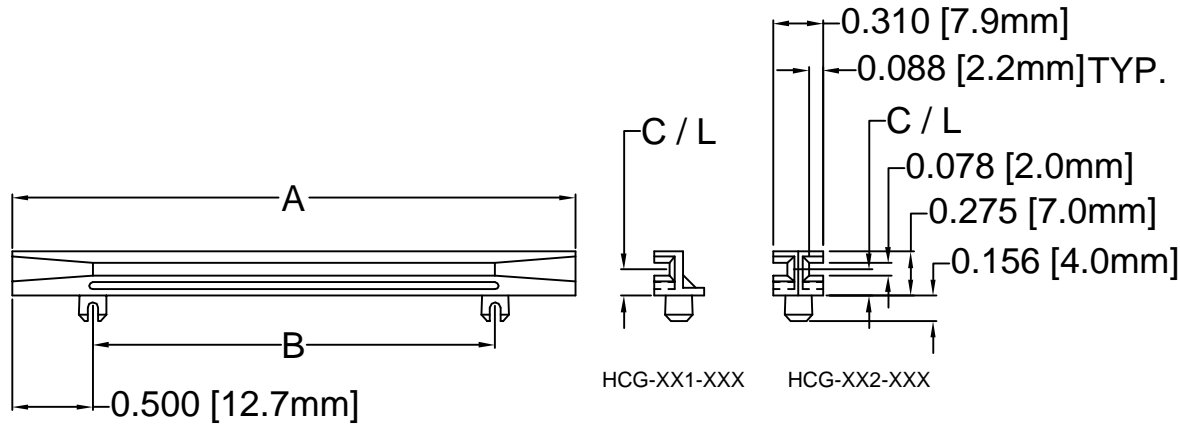


| REV. | DESCRIPTION | DATE | APPROVED |
|------|--------------------------------|----------|----------|
| F | Engineering Update w/o Changes | 02/27/04 | M. C. |
| | | | |
| | | | |
| | | | |



| PART NO. | | A ±.032 (.8) | B ±.016 (.4) | C/L ±.005 (.1) |
|-------------|-------------|-----------------|-----------------|-------------------|
| HCG-201-165 | HCG-202-165 | 2.0 (50.8) | 1.0 (25.4) | .165 (4.2) |
| HCG-251-165 | HCG-252-165 | 2.5 (63.5) | 1.5 (38.1) | .165 (4.2) |
| HCG-301-165 | HCG-302-165 | 3.0 (76.2) | 2.0 (50.8) | .165 (4.2) |
| HCG-351-165 | HCG-352-165 | 3.5 (88.9) | 2.5 (63.5) | .165 (4.2) |
| HCG-401-165 | HCG-402-165 | 4.0 (101.6) | 3.0 (76.2) | .165 (4.2) |
| HCG-451-165 | HCG-452-165 | 4.5 (114.3) | 3.5 (88.9) | .165 (4.2) |
| HCG-501-165 | HCG-502-165 | 5.0 (127.0) | 4.0 (101.6) | .165 (4.2) |
| HCG-551-165 | HCG-552-165 | 5.5 (139.7) | 4.5 (114.3) | .165 (4.2) |
| HCG-601-165 | HCG-602-165 | 6.0 (152.4) | 5.0 (127.0) | .165 (4.2) |

2. MATERIAL: NYLON 6/6, 94V-0, BLACK. BIVAR MATERIAL CODE 22-BK.
RTP POLYAMIDE NYLON 6/6, 0200 FR, BLACK OR MODIFIED PLASTICS MN6/6-SE BK.
1. GENERAL SPECIFICATIONS: BIVAR MOLDED COMPONENT SPECIFICATION BV00-E101.

| | | | |
|--|--------------------------|--|-----------------------|
| STANDARD TOLERANCE (UNLESS OTHERWISE SPECIFIED) | | 4 THOMAS, IRVINE, CA. 92618 TEL: (949) 951-8808 FAX: (949) 951-3974 | |
| DECIMALS | ANGULAR | | |
| .X ±.1 | X° ±1° | TITLE: DOUBLE SIDED HORIZONTAL CARD GUIDE FOR P.C.B. | |
| .XX ±.01 | | | |
| .XXX ±.005 | | | |
| DESIGNED: Shane Irving | DATE: 10/21/99 | PART NO: HCG-XXX-XXX | REVISION: F |
| CHECKED: D. Green | DATE: 11/26/02 | CAGE CODE : 32559 | SHEET # 1 OF 1 |
| CAD GENERATED DOCUMENT, DO NOT MEASURE DRAWING. | | | |

X-ON Electronics

Largest Supplier of Electrical and Electronic Components

Click to view similar products for [Circuit Board Hardware - PCB category](#):

Click to view products by [Bivar manufacturer](#):

Other Similar products are found below :

[8919-0-00-15-00-00-03-0](#) [0135-0-15-01-30-27-04-0](#) [5970-1-15-01-32-14-04-0](#) [0149-0-15-15-30-27-04-0](#) [7305-0-15-15-47-14-10-0](#) [MLN](#)
[150/1 BLACK](#) [8579-0-15-80-11-27-10-0](#) [8579-1-15-15-11-27-10-0](#) [8830-0-15-01-22-14-10-0](#) [8836-0-00-21-00-00-03-0](#) [PRUEF 1 RED](#)
[PRUEF 2 RED](#) [9976-0-00-00-00-00-03-0](#) [PW1616](#) [1215-3-05-00-00-00-01-0](#) [1231](#) [1303-0-15-15-47-14-04-0](#) [1404-3](#) [1404-4](#) [1406-4](#) [1407-3](#)
[1407-4](#) [1408-3](#) [1424-4](#) [1427-3](#) [1419-4](#) [1426-4](#) [MPS 1 BLACK](#) [1548-103](#) [1938-0-00-00-00-00-03-0](#) [1942-0-00-00-00-00-03-0](#) [2101-3-](#)
[00-44-00-00-07-0](#) [2108-2-00-50-00-00-07-0](#) [2109-2-00-44-00-00-07-0](#) [2110-2-00-44-00-00-07-0](#) [2111-2-00-00-00-00-07-0](#) [2113-4-00-44-00-](#)
[00-07-0](#) [2301-3-00-44-00-00-07-0](#) [2308-1-00-50-00-00-07-0](#) [2313-2-00-00-00-00-07-0](#) [2315-2-01-44-00-00-07-0](#) [2317-2-00-50-00-00-07-0](#)
[2333-1-00-50-00-00-07-0](#) [9000-0-00-00-00-00-03-0](#) [2506-2-00-50-00-00-07-0](#) [2507-2-01-44-00-00-07-0](#) [2508-2-00-44-00-00-07-0](#) [2561-2-](#)
[00-44-00-00-07-0](#) [9220](#) [9234-0-15-15-30-14-10-0](#)