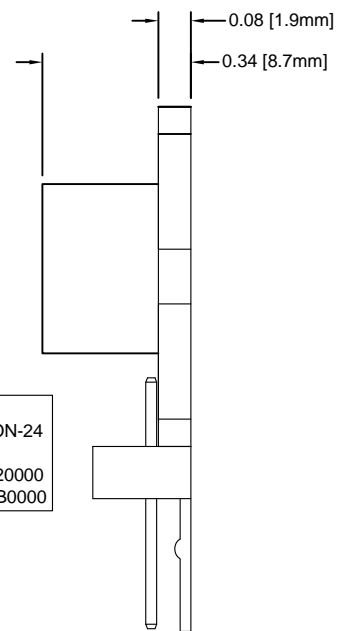
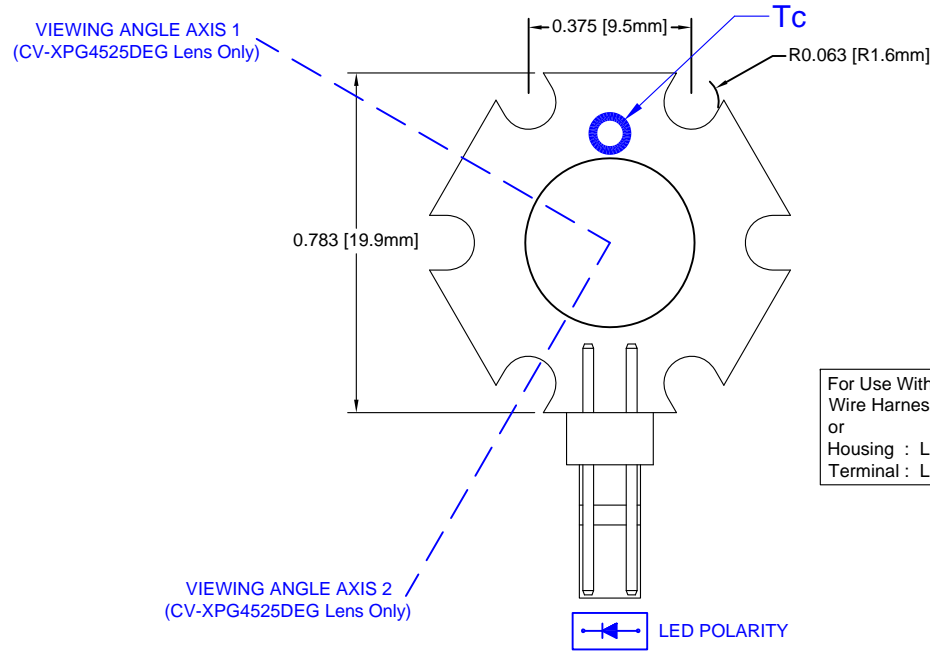


REV.	DESCRIPTION	DATE	APPROVED
G	Engineering Release	10/03/12	T. Y.
H	Engineering Update w/o Changes	08/08/16	J. C.



For Use With:
 Wire Harness: BIVAR L2CON-24
 or
 Housing : LEOCO 2530S020000
 Terminal : LEOCO 2533TPB0000

Part Number	CCT (K)	CRI	Typical Luminous Flux @ If = 350mA, Tc=70C (lm)	Typical Luminous Flux @ If = 600mA, Tc=100C (lm)	Typical DC Forward Current, Vf (V)	Viewing Angle, Axis 1 / Axis2 (°)
L2-PGC1-F	6500	75	97	152	2.9 ~ 3.0	85
L2-PGC2-F	6500	75	97	152	2.9 ~ 3.0	35
L2-PGC3-F	6500	75	97	152	2.9 ~ 3.0	45 / 25
L2-PGN1-F	4100	75	91	142	2.9 ~ 3.0	85
L2-PGN2-F	4100	75	91	142	2.9 ~ 3.0	35
L2-PGN3-F	4100	75	91	142	2.9 ~ 3.0	45 / 25
L2-PGW1-F	3100	80	80	125	2.9 ~ 3.0	85
L2-PGW2-F	3100	80	80	125	2.9 ~ 3.0	35
L2-PGW3-F	3100	80	80	125	2.9 ~ 3.0	45 / 25

Part Number	CCT (K)	CRI	Typical Luminous Flux @ If = 1000mA, Tc=120C (lm)	Typical Luminous Flux @ If = 1500mA, Tc=100C (lm)	Typical DC Forward Current, Vf (V)	Viewing Angle, Axis 1 / Axis2 (°)
L2-PGC1-F	6500	75	216	660	3.2 ~ 3.3	85
L2-PGC2-F	6500	75	216	660	3.2 ~ 3.3	35
L2-PGC3-F	6500	75	216	660	3.2 ~ 3.3	45 / 25
L2-PGN1-F	4100	75	186	566	3.2 ~ 3.3	85
L2-PGN2-F	4100	75	186	566	3.2 ~ 3.3	35
L2-PGN3-F	4100	75	186	566	3.2 ~ 3.3	45 / 25
L2-PGW1-F	3100	80	155	472	3.2 ~ 3.3	85
L2-PGW2-F	3100	80	155	472	3.2 ~ 3.3	35
L2-PGW3-F	3100	80	155	472	3.2 ~ 3.3	45 / 25

STANDARD TOLERANCE (UNLESS OTHERWISE SPECIFIED)	
DECIMALS	ANGULAR
.X ± .1	X° ± 1°
.XX ± .02	
.XXX ± .010	

BIVAR[®]
 4 THOMAS, IRVINE, CA. 92618
 TEL: (949) 951-8808 FAX: (949) 951-3974



TITLE: L2 Starboard Light Engine

DESIGNED: B. Oliver	DATE: 11/02/11
CHECKED: M. Chen	DATE: 11/02/11

PART NO: L2-PGXX-F	REVISION: H
CAGE CODE : 32559	SHEET # 1 OF 1
CAD GENERATED DOCUMENT. DO NOT MEASURE DRAWING.	

X-ON Electronics

Largest Supplier of Electrical and Electronic Components

Click to view similar products for [High Power LEDs - White category:](#)

Click to view products by [Bivar manufacturer:](#)

Other Similar products are found below :

[LTW-K140SZR40](#) [B42180-08](#) [STW8Q2PA-R5-HA](#) [LTPL-P00DWS57](#) [LTW-K140SZR30](#) [LZP-D0WW00-0000](#) [SZ5-M1-WW-C8-V1/V3-FA](#) [LTW-K140SZR57](#) [LTW-K140SZR27](#) [BXRE-50C2001-C-74](#) [MP-5050-8100-27-80](#) [MP-5050-6100-65-80](#) [MP-5050-6100-50-80](#) [MP-5050-6100-40-80](#) [MP-5050-6100-30-80](#) [KW DPLS32.SB-6H6J-E5P7-EG-Z264](#) [L1V1-507003V500000](#) [KW DMLS33.SG-Z6M7-EBVFFCBB46-8E8G-700-S](#) [ASMT-MW05-NMNS1](#) [KW DPLS33.KD-HIJG-D30D144-HN-22C2-120-S](#) [KW DDLM31.EH-5J6K-A737-W4A4-140-R18](#) [GW JTLRS1.CM-K1LW-XX57-1-100-Q-R33](#) [KW DDLM31.EH-5J6K-A636-W4A4-140-R18](#) [KW DDLM31.EH-5J6K-A131-W4A4-140-R18](#) [SML-LXL8047MWCTR/3](#) [L2C5-40HG1203E0900](#) [JB3030AWT-P-U27EA0000-N0000001](#) [JK3030AWT-P-U30EA0000-N0000001](#) [JK3030AWT-P-B40EB0000-N0000001](#) [JK3030AWT-P-H30EB0000-N0000001](#) [JK3030AWT-P-H40EB0000-N0000001](#) [JK3030AWT-P-U27EB0000-N0000001](#) [JK3030AWT-P-U30EB0000-N0000001](#) [XPGBWT-HE-0000-00JE5](#) [GW JCLPS2.EM-H3H8-A131-1-65-2-R33](#) [GW PUSTA1.PM-PAPC-XX53-1-1050-R18](#) [GW CSSRM2.PM-N3N5-XX53-1](#) [GW P9LMS1.EM-NRNU-30S7-0-200-R18](#) [GW PSLPS1.EC-KSKU-5R8T-1](#) [LTPL-M03614ZS50-F1](#) [LTW-2835SZK65](#) [LTW-3030AQL40](#) [LTW-3030AZL40-EU](#) [LTW-3030BSL42](#) [LTW-3030DZL30](#) [LTW-3030SZK40](#) [LTW-3030SZK65](#) [LTW-5630AQL27](#) [LTW-5630AQL30](#) [LTW-5630AZL40-EU](#)