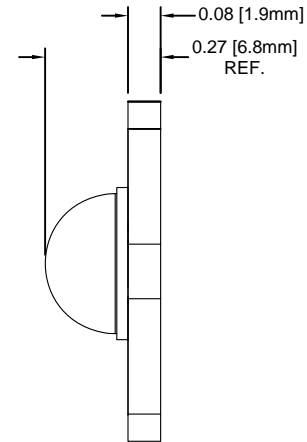
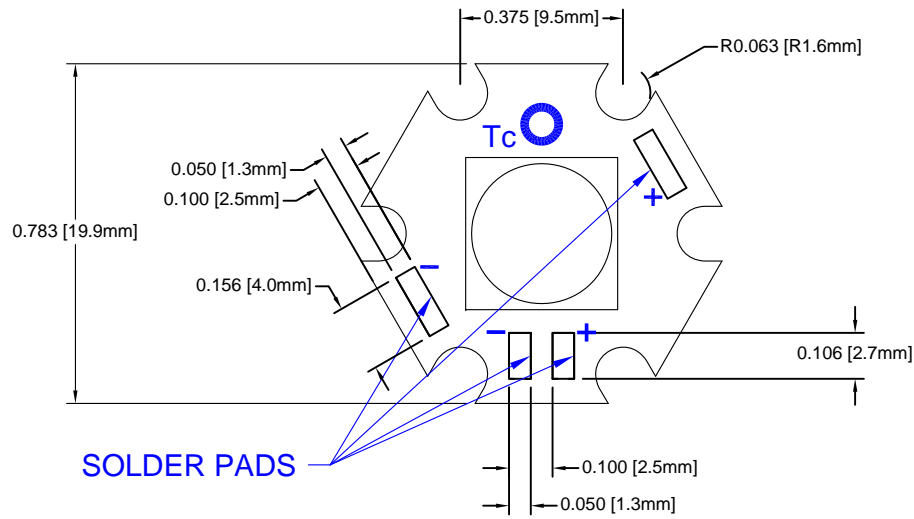

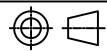


REV.	DESCRIPTION	DATE	APPROVED
F	Engineering Release	10/03/12	T. Y.
G	Engineering Update w/o Changes	08/08/16	J. C.



Part Number	CCT (K)	CRI	Typical Luminous Flux @ If = 200mA, Tc=70C (lm)	Typical Luminous Flux @ If = 350mA, Tc=100C (lm)	Typical DC Forward Current, Vf (V)	Viewing Angle (°)
L2-TGN1-S	4000	80	141	160	5.2 ~ 5.3	120
L2-TGW1-S	3000	80	130	148	5.2 ~ 5.3	120

Part Number	CCT (K)	CRI	Typical Luminous Flux @ If = 1000mA, Tc=120C (lm)	Typical Luminous Flux @ If = 2500mA, Tc=60C (lm)	Typical DC Forward Current, Vf (V)	Viewing Angle (°)
L2-TGN1-S	4000	80	216	660	5.6 ~ 5.9	120
L2-TGW1-S	3000	80	186	566	5.6 ~ 5.9	120

STANDARD TOLERANCE (UNLESS OTHERWISE SPECIFIED)		 4 THOMAS, IRVINE, CA. 92618 TEL: (949) 951-8808 FAX: (949) 951-3974		
.X ± .1	DECIMALS			ANGULAR
.XX ± .02				
.XXX ± .010			 <b>TITLE:</b> L2 Starboard Light Engine	
DESIGNED: <b>B. Oliver</b>	DATE: <b>11/02/11</b>	<b>PART NO:</b> L2-TGXX-S		
CHECKED: <b>T. Yin</b>	DATE: <b>11/02/11</b>	REVISION: <b>G</b>		
		<b>CAGE CODE : 32559 SHEET # 1 OF 1</b>		
CAD GENERATED DOCUMENT. DO NOT MEASURE DRAWING.				

## X-ON Electronics

Largest Supplier of Electrical and Electronic Components

*Click to view similar products for [High Power LEDs - White category](#):*

*Click to view products by [Bivar manufacturer](#):*

Other Similar products are found below :

[LTW-K140SZR40](#) [B42180-08](#) [STW8Q2PA-R5-HA](#) [LTPL-P00DWS57](#) [LTW-K140SZR30](#) [LZP-D0WW00-0000](#) [SZ5-M1-WW-C8-V1/V3-FA](#) [LTW-K140SZR57](#) [LTW-K140SZR27](#) [BXRE-50C2001-C-74](#) [MP-5050-8100-27-80](#) [MP-5050-6100-65-80](#) [MP-5050-6100-40-80](#) [MP-5050-6100-30-80](#) [KW DPLS32.SB-6H6J-E5P7-EG-Z264](#) [L1V1-507003V500000](#) [KW DMLS33.SG-Z6M7-EBVFFCBB46-8E8G-700-S](#) [ASMT-MW05-NMNS1](#) [KW DPLS33.KD-HIJG-D30D144-HN-22C2-120-S](#) [KW DDLM31.EH-5J6K-A737-W4A4-140-R18](#) [GW](#) [JTLRS1.CM-K1LW-XX57-1-100-Q-R33](#) [KW DDLM31.EH-5J6K-A636-W4A4-140-R18](#) [KW DDLM31.EH-5J6K-A131-W4A4-140-R18](#) [SML-LXL8047MWCTR/3](#) [L2C5-40HG1203E0900](#) [JB3030AWT-P-U27EA0000-N0000001](#) [JK3030AWT-P-U30EA0000-N0000001](#) [JK3030AWT-P-B40EB0000-N0000001](#) [JK3030AWT-P-H30EB0000-N0000001](#) [JK3030AWT-P-H40EB0000-N0000001](#) [JK3030AWT-P-U27EB0000-N0000001](#) [JK3030AWT-P-U30EB0000-N0000001](#) [XPGBWT-HE-0000-00JE5](#) [GW PUSTA1.PM-PAPC-XX53-1-1050-R18](#) [BXRE-30E4000-C-83](#) [BXRE-50C6501-D-84](#) [BXRE-27E1000-B-83](#) [BXRE-30G0800-D-83](#) [BXRE-50C4001-B-84](#) [BXRH-40E4000-F-83](#) [BXRH-27G4000-F-83](#) [BXRE-27E4000-B-83](#) [BXRE-27E4000-C-83](#) [BXRE-27G30H0-D-82](#) [BXRE-27G4000-B-83](#) [BXRE-40E1000-B-83](#) [BXRE-40E6500-D-83](#) [BXRH-27E1000-B-83](#) [BXRH-27E4000-F-83](#) [BXRH-27G1000-B-83](#)