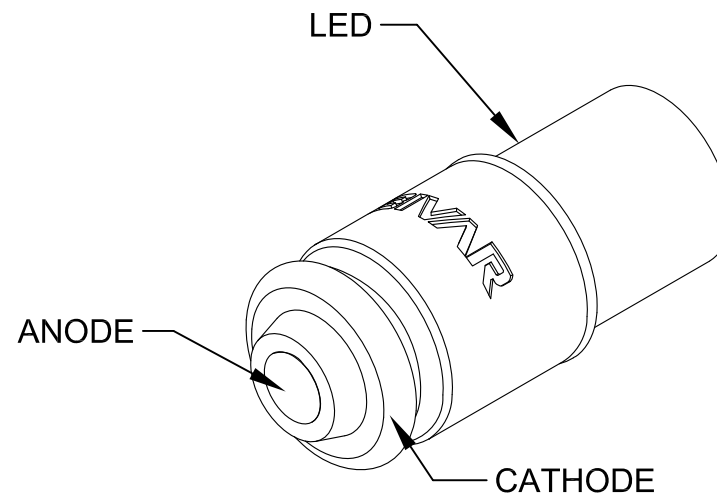
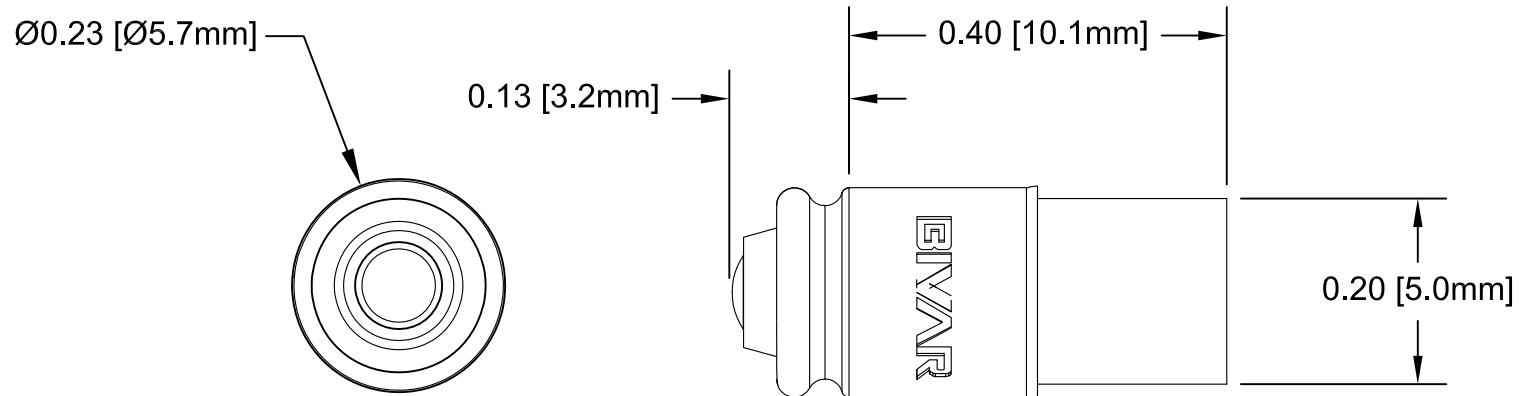



REV.	DESCRIPTION	DATE	APPROVED
A	Engineering Release	10/21/13	G. W.



NOTES:

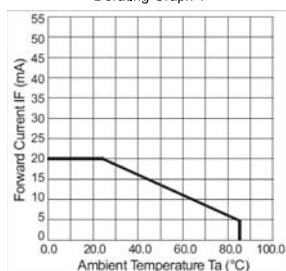
- 2. DIRECT REPLACEMENT FOR T1 3/4 MIDGET GROOVE S5.7s BASED LAMPS
- 1. CENTER CONTACT ANODE

STANDARD TOLERANCE ( UNLESS OTHERWISE SPECIFIED )		 4 THOMAS, IRVINE, CA. 92618 TEL: (949) 951-8808 FAX: (949) 951-3974	
DECIMALS	ANGULAR	TITLE: 205 SERIES INCANDESCENT REPLACEMENT LEDS	
.X ± .1	X° ± 1°	DESIGNED:	DATE:
.XX ± .02		Alex Wright	10/21/13
.XXX ± .010		CHECKED:	DATE:
		Minh Doan	10/21/13
		PART NO:	REVISION:
		LFR-205X-XXX	A
		CAGE CODE : 32559	SHEET # 1 OF 2
		CAD GENERATED DOCUMENT, DO NOT MEASURE DRAWING.	

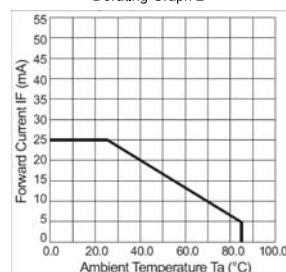
REV.	DESCRIPTION	DATE	APPROVED
	SEE SHEET #1		

### DERATING CURVES

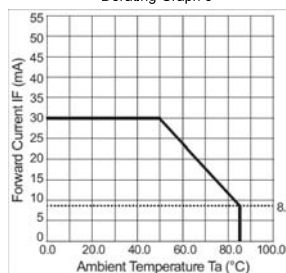
Derating Graph 1



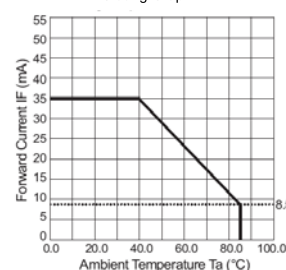
Derating Graph 2



Derating Graph 3



Derating Graph 4



Bivar Part Number	Wave Length λp(nm)	Emitted Color	Lens Appearance	Operating Voltage	Electro-Optical Data		Viewing Angle	De-rating Graphs
				Vopr (Vdc)	Current DC (mA)	Iv (mcd)		
				TYP	TYP	TYP		
LFR-205R12V	630	RED	CLEAR	12	10	600	120	1
LFR-205R28V	630	RED	CLEAR	28	8	600	120	1
LFR-205Y12V	585	YELLOW	CLEAR	12	10	600	120	1
LFR-205Y28V	585	YELLOW	CLEAR	28	8	600	120	1
LFR-205G12V	515	GREEN	CLEAR	12	10	800	120	2
LFR-205G28V	515	GREEN	CLEAR	28	8	800	120	2
LFR-205B12V	465	BLUE	CLEAR	12	10	230	120	4
LFR-205B28V	465	BLUE	CLEAR	28	14	230	120	4
Bivar Part Number	Chromaticity Coordinates	Emitted Color	Lens Appearance	Operating Voltage	Electro-Optical Data		Viewing Angle	De-rating Graphs
				Vopr (Vdc)	Current DC (mA)	Iv (mcd)		
				TYP	TYP	TYP		
LFR-205WW12V	X=0.4255~0.4680 Y=0.4000~0.4385	WARM WHITE	CLEAR	12	10	850	120	3
LFR-205WW28V	X=0.4255~0.4680 Y=0.4000~0.4385	WARM WHITE	CLEAR	28	8	850	120	3
LFR-205CW12V	X=0.31 Y=0.32	COOL WHITE	CLEAR	12	10	1100	120	3
LFR-205CW28V	X=0.31 Y=0.32	COOL WHITE	CLEAR	28	8	1100	120	3

## ABSOLUTE MAXIMUM RATINGS (Ta = 25°C)

MAXIMUM POWER DISSIPATION \_\_\_\_\_ 500 mW  
 OPERATING TEMPERATURE RANGE \_\_\_\_\_ -40°C ~ 85°C  
 STORAGE TEMPERATURE \_\_\_\_\_ -40°C ~ 100°C

STANDARD TOLERANCE ( UNLESS OTHERWISE SPECIFIED )		<b>BIVAR</b> <sup>®</sup> 4 THOMAS, IRVINE, CA. 92618 TEL: (949) 951-8808 FAX: (949) 951-3974
DECIMALS	ANGULAR	
		<b>TITLE: 205 SERIES INCANDESCENT REPLACEMENT LED</b>
DESIGNED: <b>Alex Wright</b>	DATE: <b>10/21/13</b>	<b>PART NO:</b> LFR-205X-XXX
CHECKED: <b>Minh Doan</b>	DATE: <b>10/21/13</b>	<b>CAGE CODE : 32559</b>   <b>SHEET # 2 OF 2</b>   <b>REVISION: A</b>
CAD GENERATED DOCUMENT, DO NOT MEASURE DRAWING.		

## X-ON Electronics

Largest Supplier of Electrical and Electronic Components

*Click to view similar products for [LED Replacement Lamps - Based LEDs](#) category:*

*Click to view products by [Bivar](#) manufacturer:*

Other Similar products are found below :

[LAPD-1A](#) [LAPD-1R](#) [LAPD-2R](#) [LAPD-6W](#) [LSTD-M4S](#) [SSP-1156B153S12](#) [SSP-1157B156U12](#) [SSP-LXS110818BA](#) [560-0101F](#) [560-0103F](#)  
[LAPD-1W](#) [LAPD-6R](#) [560-0104F](#) [585-1113](#) [SSP-LXC1283S24](#) [SSP-3MB96U12G](#) [SLL-05EY](#) [1.90.690.684/0000](#) [560-0203F](#) [586-2206-](#)  
[205F](#) [SSP-LXS1826U16A](#) [LATD-2JW](#) [24LS4-G1](#) [24LS4-R1](#) [MF200-NFW5H](#) [MB403-W60-CW-BP](#) [387LP-A](#) [1819LS2-G-CG](#) [387LP-R](#)  
[387LP-B](#) [387LP-W](#) [387LP-G](#) [6S6LS155-CWR](#) [130MBLS-G-CG](#) [5000404LAMP](#) [E10SB12A](#) [E10SB130A](#) [E10SB24A](#) [E10SG12A](#)  
[E10SG130A](#) [E10SG24A](#) [E10SR12A](#) [E10SR130A](#) [E10SW12A](#) [E10SY12A](#) [E10SY130A](#) [6S6LS130-CWW](#) [MF200-BCG12H](#) [MF200-](#)  
[NFR5H](#) [24L4-B1](#)