

BIVAR

LFR 215 SERIES LED Replacement Lamps



FEATURES AND BENEFITS

- Direct replacement for T3 1/4 BA9s based lamps.
- Wide viewing angle of 120° provides even illumination.
- High reliability with 100K hours MTBF.
- Illuminated colors available in red, yellow, blue, green, warm white and cool white.
- Wide input range (110VAC - 230VAC).

APPLICATIONS

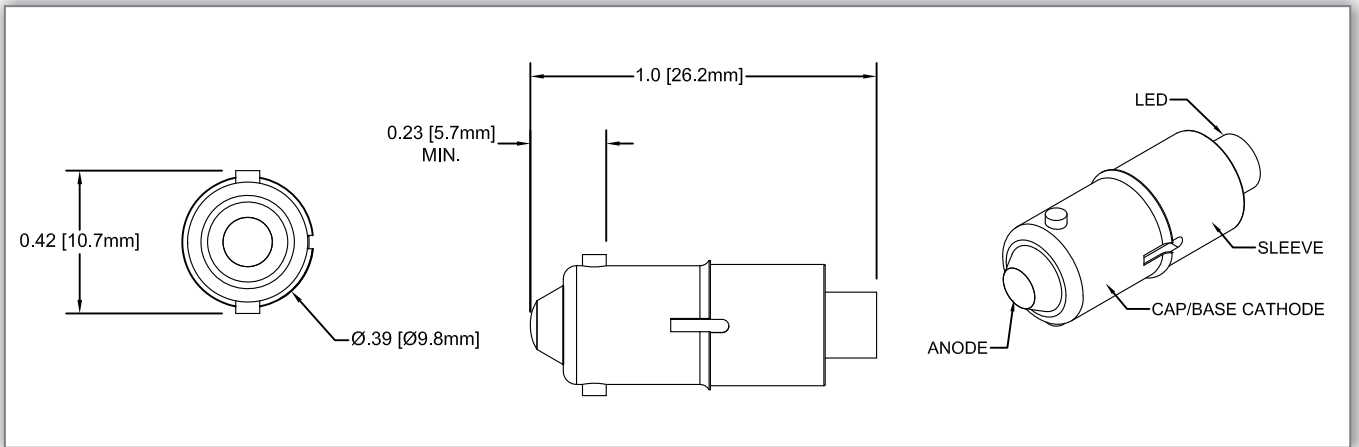
- General purpose indicators
- Push button switches
- Pilot lights
- Selector switches
- Panel indicators

Part Number	Wave Length	Emitted Color	Lens Appearance	Operating Voltage	Current AC	Iv	Viewing Angle
LFR-215R230VAC	660 nm	Red	Water Clear	230 VAC	2.0 mA	25 mcd	120°
LFR-215R125VAC	660 nm	Red	Water Clear	125 VAC	3.0 mA	25 mcd	120°
LFR-215Y230VAC	595 nm	Yellow	Water Clear	230 VAC	2.0 mA	60 mcd	120°
LFR-215Y130VAC	595 nm	Yellow	Water Clear	130 VAC	6.3 mA	60 mcd	120°
LFR-215B110VAC	470 nm	Blue	Water Clear	110 VAC	3.5 mA	150 mcd	120°
LFR-215G230VAC	525 nm	Green	Water Clear	230 VAC	2.0 mA	50 mcd	120°
LFR-215G125VAC	525 nm	Green	Water Clear	125 VAC	3.0 mA	50 mcd	120°
Part Number	Chromaticity Coordinates	Emitted Color	Lens Appearance	Operating Voltage	Current AC	Iv	Viewing Angle
LFR-215WW230VAC	X=0.4255~0.4680 Y=0.4000~0.4385	Warm White	Water Clear	230 VAC	2.0 mA	340 mcd	120°
LFR-215WW130VAC	X=0.4255~0.4680 Y=0.4000~0.4385	Warm White	Water Clear	130 VAC	3.0 mA	340 mcd	120°
LFR-215CW230VAC	X=0.3028~0.3376 Y=0.3113~0.3616	Cool White	Water Clear	230 VAC	2.0 mA	440 mcd	120°
LFR-215CW125VAC	X=0.3028~0.3376 Y=0.3113~0.3616	Cool White	Water Clear	125 VAC	3.0 mA	440 mcd	120°

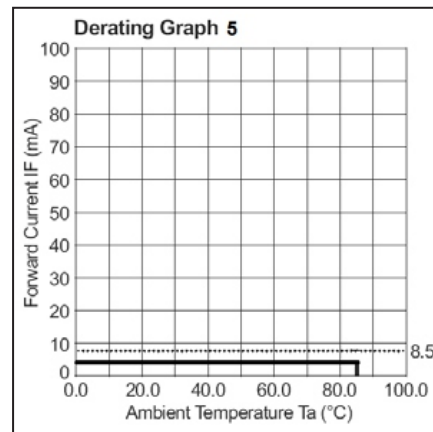
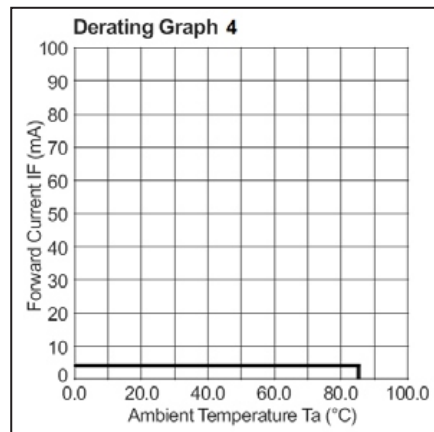
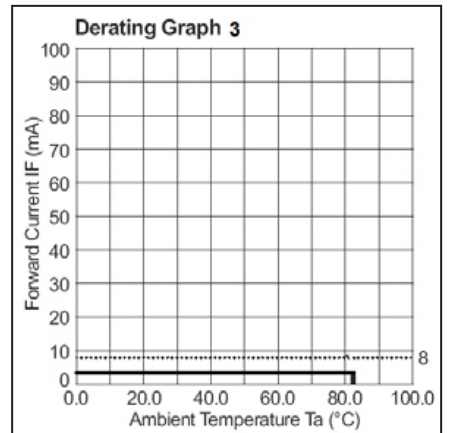
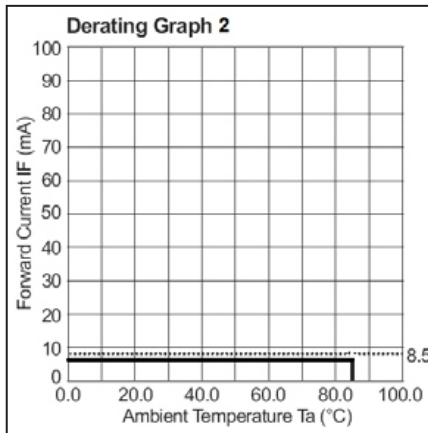
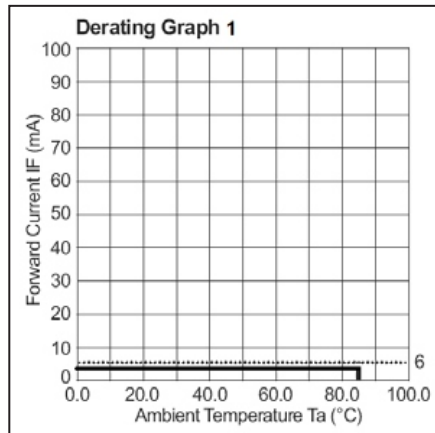
ORDERING INFORMATION

Product Group	Series	Emitted Color	Operating Voltage	Example
LFR	2XX	Red, Yellow, Green, Blue, Warm White, Cool White	110VAC - 230VAC	LFR-215R230VAC

SPECIFICATIONS



DERATING CURVES



X-ON Electronics

Largest Supplier of Electrical and Electronic Components

Click to view similar products for [LED Replacement Lamps - Based LEDs](#) category:

Click to view products by [Bivar](#) manufacturer:

Other Similar products are found below :

[LAPD-1A](#) [LAPD-1R](#) [LAPD-2R](#) [LAPD-6W](#) [LSTD-M4S](#) [SSP-1156B153S12](#) [SSP-1157B156U12](#) [SSP-LXS110818BA](#) [560-0101F](#) [560-0103F](#)
[LAPD-1W](#) [LAPD-6R](#) [560-0104F](#) [585-1113](#) [SSP-LXC1283S24](#) [SSP-3MB96U12G](#) [SLL-05EY](#) [560-0203F](#) [586-2206-205F](#) [SSP-](#)
[LXS1826U16A](#) [LATD-2JW](#) [24LS4-G1](#) [24LS4-R1](#) [MF200-NFW5H](#) [MB403-W60-CW-BP](#) [387LP-A](#) [1819LS2-G-CG](#) [387LP-R](#) [387LP-B](#)
[387LP-W](#) [387LP-G](#) [6S6LS155-CWR](#) [130MBLS-G-CG](#) [5000404LAMP](#) [E10SB12A](#) [E10SB130A](#) [E10SB24A](#) [E10SG12A](#) [E10SG130A](#)
[E10SG24A](#) [E10SR12A](#) [E10SR130A](#) [E10SW12A](#) [E10SY12A](#) [E10SY130A](#) [6S6LS130-CWW](#) [MF200-BCG12H](#) [MF200-NFR5H](#) [24L4-B1](#)
[120PSBL-NWW](#)