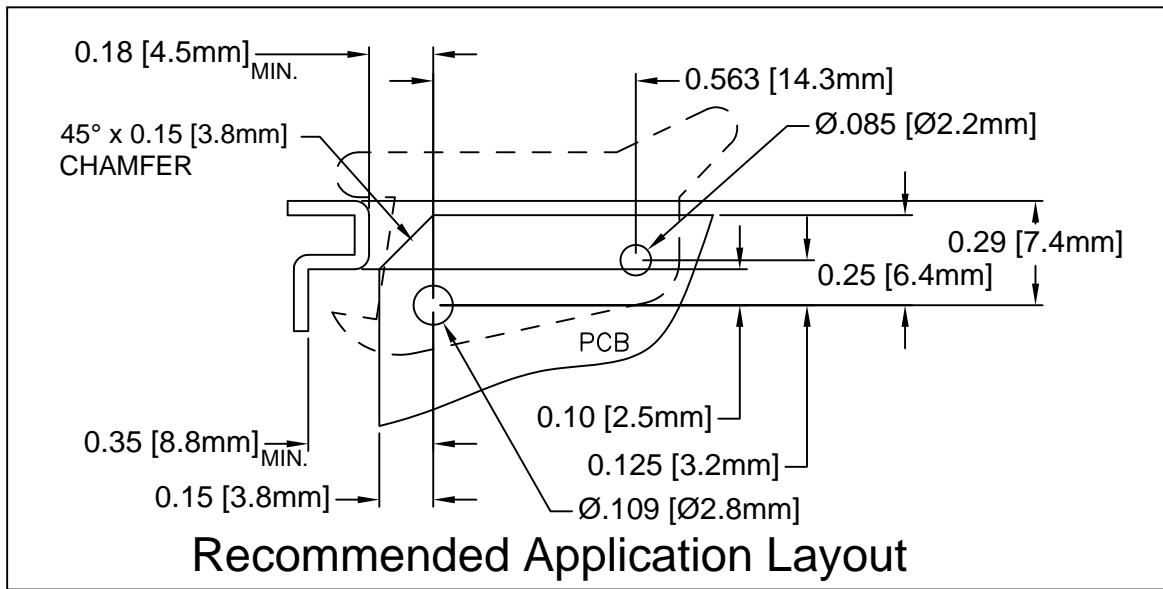
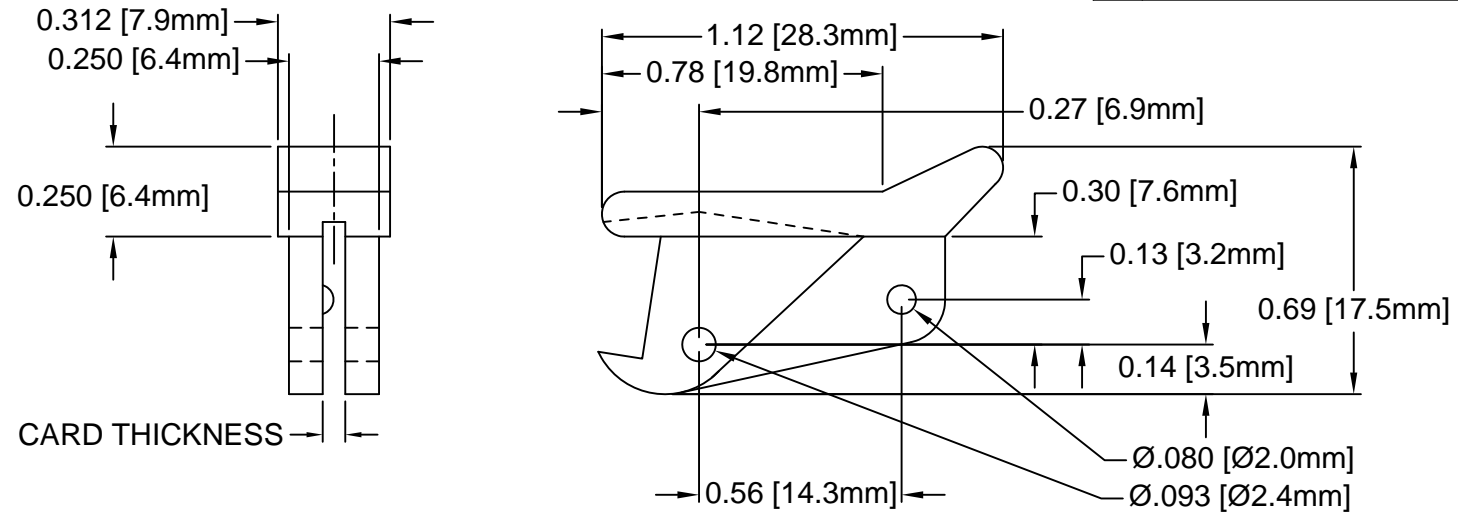


REV.	DESCRIPTION	DATE	APPROVED
F	Production Release	02/27/04	M. C.
G	Added Notes 4, 5, 6 & Color Options Sheet #2	05/16/16	J. C.
H	Updated Drawing Name to LP-06 XX	01/15/18	J. C.



PART NO.	COLOR	ROLL PIN	CARD THICKNESS
LP-06 NT	NATURAL	RP-250	1/16" (1.6mm)
LP-06 WE	WHITE	RP-250	
LP-06 XX	SEE S.#2	RP-250	

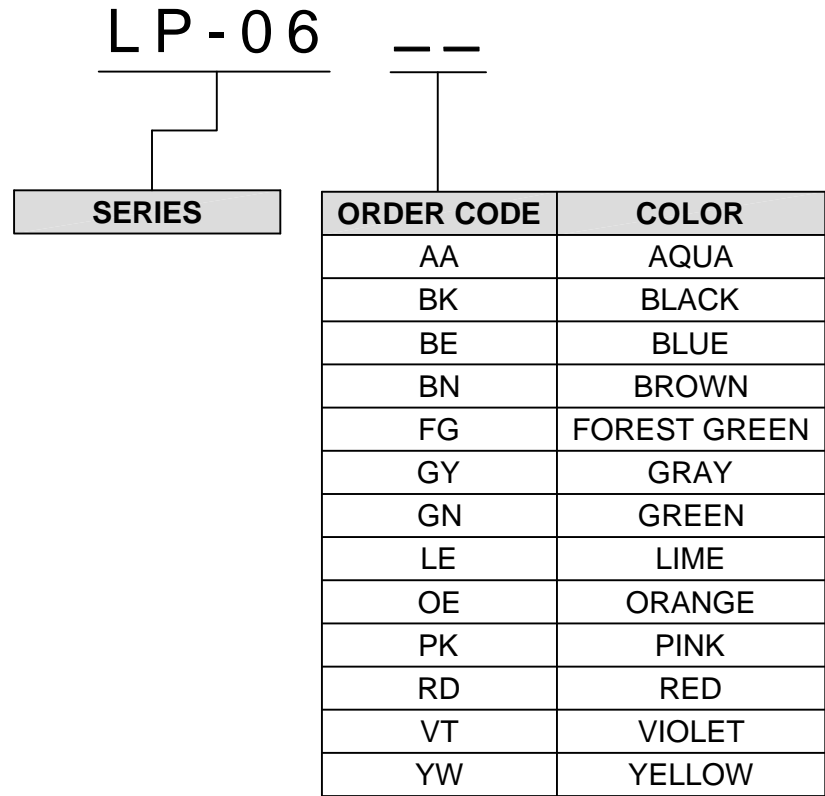
5. PRE-ASSEMBLED ROLL PINS AVAILABLE UPON REQUEST.
4. ROLL PINS INCLUDED. PACKAGED SEPARATELY.
3. MATERIAL: NYLON 6/6, 94V-2, WHITE.
2. MATERIAL: NYLON 6/6, 94V-2, NATURAL.
1. GENERAL SPECIFICATIONS: BIVAR MOLDED COMPONENT SPECIFICATION BV00-E101.

STANDARD TOLERANCE (UNLESS OTHERWISE SPECIFIED)		BIVAR [®] 4 THOMAS, IRVINE, CA. 92618 TEL: (949) 951-8808 FAX: (949) 951-3974	
DECIMALS	ANGULAR		
.X ± .1	X° ± 1°	TITLE: CIRCUIT BOARD CARD EJECTOR	
.XX ± .01			
.XXX ± .005		PART NO: LP-06 XX REVISION: H	
DESIGNED: S. Irving	DATE: 09/21/98	CAGE CODE : 32559 SHEET # 1 OF 2	
CHECKED: R. Dienst	DATE: 04/06/00		
<small>CAD GENERATED DOCUMENT. DO NOT MEASURE DRAWING.</small>			

OTHER AVAILABLE COLORS

* SEE TABLE FOR ORDERING INFORMATION

REV.	DESCRIPTION	DATE	APPROVED
	SEE SHEET #1		



6. PARTS ARE DYED TO COLOR UPON REQUEST.

STANDARD TOLERANCE (UNLESS OTHERWISE SPECIFIED) DECIMALS ANGULAR		4 THOMAS, IRVINE, CA. 92618 TEL: (949) 951-8808 FAX: (949) 951-3974	
DESIGNED: S. Irving		DATE: 09/21/98	
CHECKED: R. Dienst		DATE: 04/06/00	
TITLE: CIRCUIT BOARD CARD EJECTOR		PART NO: LP-06 XX	
REVISION: H		CAGE CODE : 32559 SHEET # 2 OF 2	
CAD GENERATED DOCUMENT. DO NOT MEASURE DRAWING.			

X-ON Electronics

Largest Supplier of Electrical and Electronic Components

Click to view similar products for [Racks & Rack Cabinet Accessories](#) category:

Click to view products by [Bivar](#) manufacturer:

Other Similar products are found below :

[M00-PLN](#) [F2424](#) [8351-832-A-24](#) [9104](#) [9105](#) [PLFF2000](#) [H-9163-B](#) [1427C3](#) [HTS10](#) [PC-79](#) [SC10-3A](#) [SC4-28](#) [CG3-340S/12](#) [CP-001BK](#)
[M6123-4007-SS](#) [TS170](#) [LP40](#) [5261304-07](#) [CG3-160G](#) [7112C-PLN](#) [ALUM](#) [CM10](#) [8610-3124-S-26](#) [TS81](#) [7142](#) [GP134](#) [M6125-4007-A-24](#)
[M6127-4007-SS](#) [PBCOVER](#) [512](#) [AEG-4000G](#) [AEG-3000G](#) [HD99](#) [SR2-66A2](#) [FP10B4HP-1](#) [SR16-66A2](#) [FP52-2](#) [1406-1006-01](#) [29478](#)
[TS2535](#) [TS169-6](#) [CAC2](#) [HA19-3U](#) [BR-19-10-1](#) [TS180](#) [CG3-ESD](#) [SC11-1](#) [CFS-1.00/2.20](#) [HEC0800PB](#) [ZC633R](#) [140PLN](#)