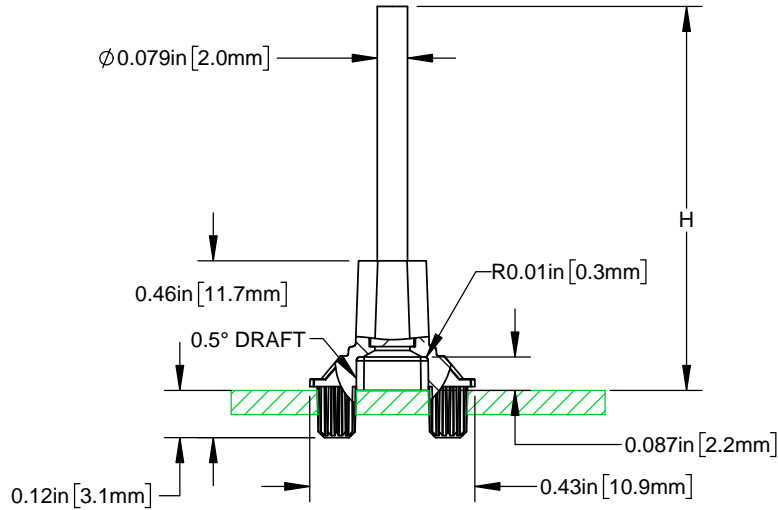
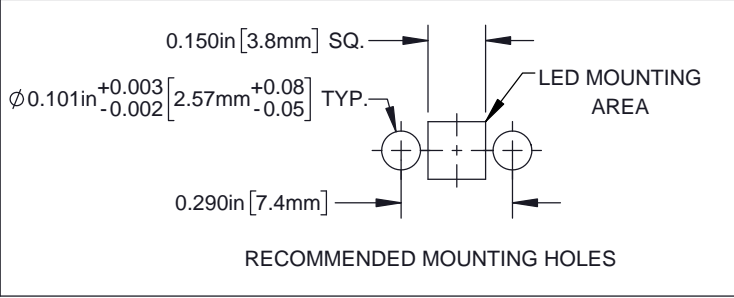
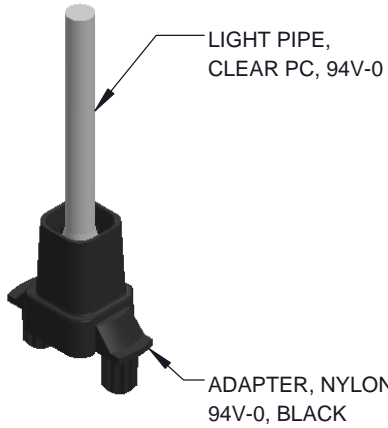
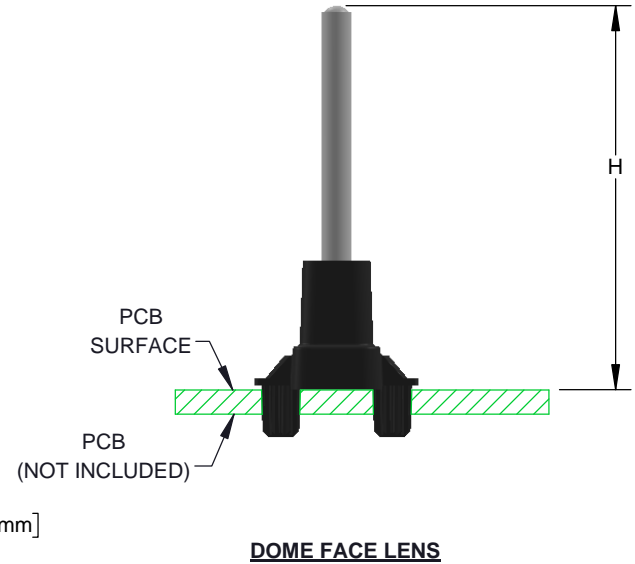
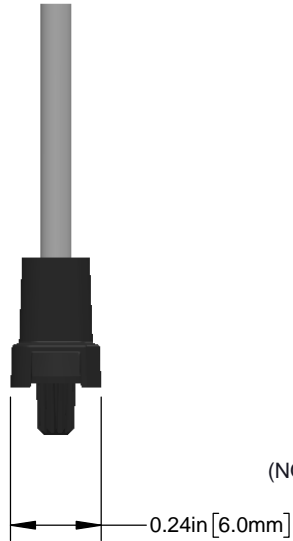
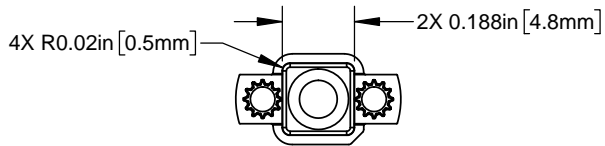


REVISIONS			
REV.	DESCRIPTION	DATE	APPROVED
A	Engineering Release	3/16/2018	M.C.



FLAT FACE LENS

DIMENSIONS ARE APPLICABLE TO BOTH LENS FACES UNLESS OTHERWISE NOTED



DOME FACE LENS

PART NUMBER CONFIGURATION
(SEE PAGE 2, TABLES A & B)
LPV2-XXXXXP

LENS FACE
HEIGHT, (H)

STANDARD TOLERANCE (UNLESS OTHERWISE SPECIFIED)		 4 THOMAS, IRVINE, CA. 92618 TEL: (949) 951-8808 FAX: (949) 951-3974	
DECIMALS	ANGULAR		
.X ± .1	X° ± 1°	TITLE: BIVAR LIGHT PIPE SYSTEM, VERTICAL, 2MM, SINGLE STATION	
.XX ± .01			
.XXX ± .005		PART NO.: LPV2-XXXXXP	REVISION: A
DESIGNED: K. BARON	DATE: 03/16/18	CAGE CODE: 32559	
REVISED: N/A	DATE: N/A	SCALE: 2:1	
CHECKED: TD. NGUYEN	DATE: 03/16/18	SHEET # 1 OF 2	
CAD GENERATED DOCUMENT, DO NOT MEASURE DRAWING			

REVISIONS			
REV.	DESCRIPTION	DATE	APPROVED
	See Sheet 1		

STANDARD ORDERING INFORMATION

TABLE A - FLAT FACE LENS	
PART NO.	H ±.01
LPV2-0350FP	0.350 [8.9mm]
LPV2-0400FP	0.400 [10.2mm]
LPV2-0450FP	0.450 [11.4mm]
LPV2-0500FP	0.500 [12.7mm]
LPV2-0550FP	0.550 [14.0mm]
LPV2-0600FP	0.600 [15.2mm]
LPV2-0750FP	0.750 [19.1mm]
LPV2-1000FP	1.000 [25.4mm]
LPV2-1250FP	1.250 [31.8mm]
LPV2-1500FP	1.500 [38.1mm]
LPV2-1750FP	1.750 [44.5mm]
LPV2-2000FP	2.000 [50.8mm]

TABLE B - DOME FACE LENS	
PART NO.	H ±.01
LPV2-0350DP	0.350 [8.9mm]
LPV2-0400DP	0.400 [10.2mm]
LPV2-0450DP	0.450 [11.4mm]
LPV2-0500DP	0.500 [12.7mm]
LPV2-0550DP	0.550 [14.0mm]
LPV2-0600DP	0.600 [15.2mm]
LPV2-0750DP	0.750 [19.1mm]
LPV2-1000DP	1.000 [25.4mm]
LPV2-1250DP	1.250 [31.8mm]
LPV2-1500DP	1.500 [38.1mm]
LPV2-1750DP	1.750 [44.5mm]
LPV2-2000DP	2.000 [50.8mm]



PART NO: LPV2-XXXXXP		REVISION: A
SCALE: N/A	SHEET # 2 OF 2	
CAD GENERATED DOCUMENT, DO NOT MEASURE DRAWING		

X-ON Electronics

Largest Supplier of Electrical and Electronic Components

Click to view similar products for [LED Light Pipes](#) category:

Click to view products by [Bivar](#) manufacturer:

Other Similar products are found below :

[1367627-1](#) [SLP3-300-450-F](#) [SLP3-400-450-R](#) [LPA-C011301S-6](#) [LPF-C011306S](#) [FLP25-1.95](#) [VLP-640-F](#) [LPA-C011301S-5.4](#) [LPA-R051171S-12](#) [LPA-S011331S](#) [515-1027-803F](#) [515-1217F](#) [SLP3-150-300-R](#) [SLP3-500-450-R](#) [515-1064-810F](#) [FLPV-SG](#) [BDL-1187](#) [7511A41](#) [7511A87-500](#) [FLPV-SBC](#) [5151064802F](#) [5151-192-0055-0DF](#) [LPF-R011340S](#) [515-1166-801F](#) [FLPF-6.0](#) [PM4-C1522-3.70](#) [LC-11.25](#) [CLP-1214](#) [515-1064-808F](#) [FLX3_05](#) [515-1192-0025-0DF](#) [HS LC-H-D2/ R2XC1-2 54](#) [515-1192-80-3DF](#) [1282.2600](#) [1296.2004](#) [PBLP-1001-1](#) [SZ1-10.00-A220-F4P54](#) [SZ1-10.00-A220-F4P](#) [LC2-4.1](#) [1296.7042](#) [SF4-2.5-F5P](#) [PLP5-2-625-54](#) [FLP25-13.5](#) [1271.2002](#) [1272.0030](#) [1276.2004](#) [1281.1001-8MM](#) [1282.1300](#) [1296.1034](#) [1296.2022](#)