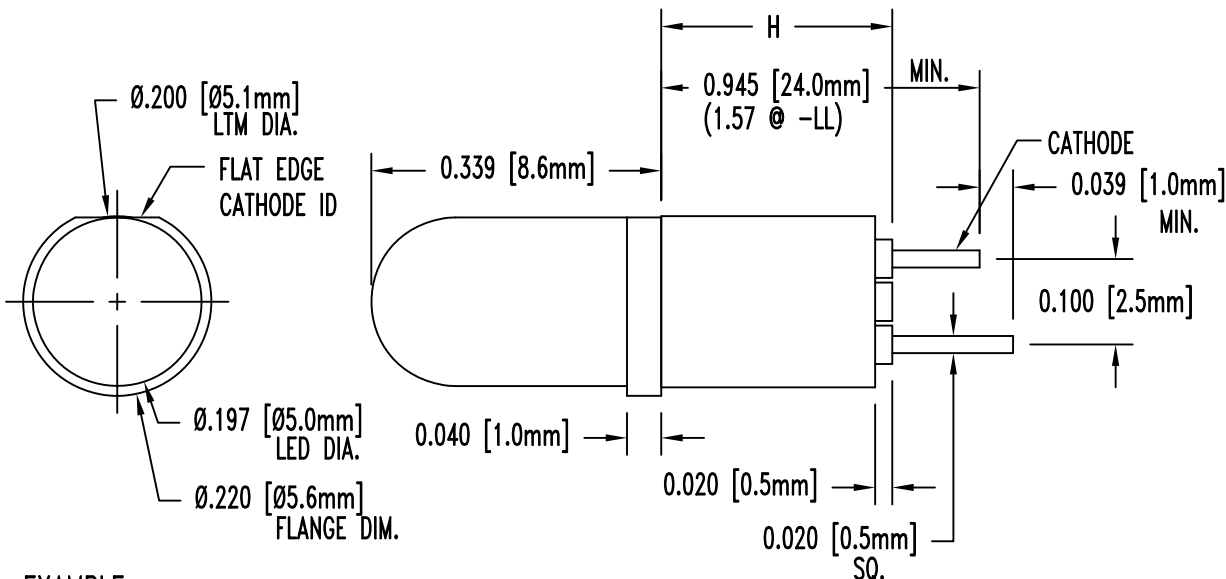


ITEM	Q'TY	PART NUMBER	PART DESCRIPTION
1	1	LTM-XXX	MOLDED, SELF-RETAINING LED MOUNT
2	1	5XX-F	T-1 3/4 (5mm) FLANGED LED, SEE PAGES 2-4.

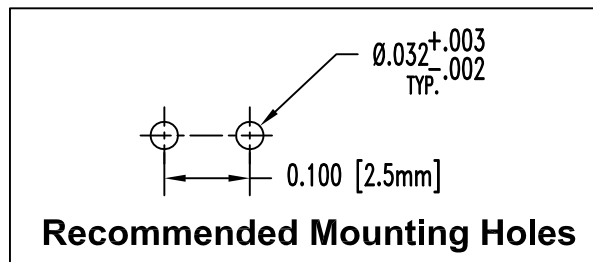
REV	DESCRIPTION	DATE	APPROVED
A	ENGINEERING RELEASE.	09/30/03	MC
B	LED DATA UPDATE	07/28/10	T.Y.

PART NO.	H	PART NO.	H	PART NO.	H
LTM-120	.120(3.1)	LTM-300	.300(7.6)	LTM-490	.490(12.5)
LTM-130	.130(3.3)	LTM-310	.310(7.9)	LTM-500	.500(12.7)
LTM-140	.140(3.6)	LTM-320	.320(8.1)	LTM-520	.520(13.2)
LTM-150	.150(3.8)	LTM-330	.330(8.4)	LTM-550	.550(14.0)
LTM-160	.160(4.1)	LTM-340	.340(8.6)	LTM-570	.570(14.5)
LTM-170	.170(4.3)	LTM-350	.350(8.9)	LTM-600	.600(15.2)
LTM-180	.180(4.6)	LTM-360	.360(9.1)	LTM-620	.620(15.8)
LTM-190	.190(4.8)	LTM-370	.370(9.4)	LTM-650	.650(16.5)
LTM-200	.200(5.1)	LTM-380	.380(9.7)	LTM-670	.670(17.0)
LTM-210	.210(5.3)	LTM-390	.390(9.9)	LTM-700	.700(17.8)
LTM-220	.220(5.6)	LTM-400	.400(10.2)	LTM-720	.720(18.3)
LTM-230	.230(5.8)	LTM-410	.410(10.4)	LTM-750	.750(19.1)
LTM-240	.240(6.1)	LTM-420	.420(10.7)	LTM-770	.770(19.6)
LTM-250	.250(6.4)	LTM-430	.430(10.9)	LTM-800	.800(20.3)
LTM-260	.260(6.6)	LTM-440	.440(11.2)	LTM-820	.820(20.8)
LTM-270	.270(6.9)	LTM-450	.450(11.4)	LTM-850	.850(21.6)
LTM-280	.280(7.1)	LTM-460	.460(11.7)	LTM-870	.870(22.1)
LTM-290	.290(7.4)	LTM-480	.480(12.2)	LTM-900	.900(22.9)



EXAMPLE:

LTM5005GD  
 LED Color & Lens Appearance.  
 Omit -F when ordering.  
 LTM Height "H"  
 Series



\*Add "-LL" for long leads


### ABSOLUTE MAXIMUM RATINGS (Ta=25°C)

REVERSE VOLTAGE \_\_\_\_\_ 5V  
 REVERSE CURRENT (Vr =5V) \_\_\_\_\_ 100uA  
 OPERATING TEMPERATURE RANGE \_\_\_\_\_ -25°C ~ 85°C  
 STORAGE TEMPERATURE \_\_\_\_\_ -30°C ~ 100°C  
 LEAD SOLDERING TEMPERATURE(1/16" FROM BODY) \_\_\_\_\_ 260°C FOR 5 SECONDS

UNLESS OTHERWISE SPECIFIED: DIMENSIONS ARE IN INCHES		 <b>4 THOMAS, IRVINE, CA.92618</b> TEL: (949) 951-8808 FAX: (949) 951-3074	
TOLERANCES			
DECIMALS	ANGULAR	PART NAME: MOLDED SELF-RETAINING T-1 3/4 (5mm) LED MOUNT ASSEMBLY	
.X ± .1	X° ± 1°	DESIGNER	DATE
.XX ± .02		DAVID GREEN	09/30/03
.XXX ± .010		CHECKER	DATE
		M CHEN	09/30/03
SIZE	DWG NAME	DWG NO.	REV
A		LTMXXX5XX	B
SCALE 1=1	CAGE CODE 32559	SHEET 1 OF 3	

REV	DESCRIPTION	DATE	APPROVED
	SEE SHEET #1.		

LED Assy. No.	Peak Wave Length $\lambda_p$ (nm)	Emitted Color	Lens Appearance	Electro-Optical Data				Viewing Angle $2\theta_{1/2}$ (Deg)	LED P/N
				If (mA)	Vf (V)		Iv (mcd)		
				MAX	TYP	MAX	TYP		
<b>STANDARD</b>				<b>Data @ 20mA</b>					
LTMXX5AC	605	AMBER	WATER CLEAR	30	2.0	2.8	40	35	5AC-F
LTMXX5AD	605		DIFFUSED	30	2.0	2.8	25	40	5AD-F
LTMXX5AT	605		TINTED	30	2.0	2.8	40	35	5AT-F
LTMXX5BWC	430	BLUE	WATER CLEAR	25	4.0	4.5	30	25	5BWC-F
LTMXX5BWD	430		DIFFUSED	25	4.0	4.5	15	40	5BWD-F
LTMXX5BWT	430		TINTED	25	4.0	4.5	30	25	5BWT-F
LTMXX5GC	568	GREEN	WATER CLEAR	30	2.1	2.8	40	35	5GC-F
LTMXX5GD	568		DIFFUSED	30	2.1	2.8	25	40	5GD-F
LTMXX5GT	568		TINTED	30	2.1	2.8	40	35	5GT-F
LTMXX5HC	625	HE RED	WATER CLEAR	30	2.0	2.8	50	35	5HC-F
LTMXX5HD	625		DIFFUSED	30	2.0	2.8	40	40	5HD-F
LTMXX5HT	625		TINTED	30	2.0	2.8	50	35	5HT-F
LTMXX5PGC	555	PURE GREEN	WATER CLEAR	30	2.2	2.8	10	35	5PGC-F
LTMXX5PGD	555		DIFFUSED	30	2.2	2.8	10	40	5PGD-F
LTMXX5PGT	555		TINTED	30	2.2	2.8	10	35	5PGT-F
LTMXX5RC	700	RED	WATER CLEAR	20	2.1	2.8	2	35	5RC-F
LTMXX5RD	700		DIFFUSED	20	2.1	2.8	1.5	40	5RD-F
LTMXX5RT	700		TINTED	20	2.1	2.8	2	35	5RT-F
LTMXX5YC	590	YELLOW	WATER CLEAR	30	2.0	2.8	40	35	5YC-F
LTMXX5YD	590		DIFFUSED	30	2.0	2.8	25	40	5YD-F
LTMXX5YT	590		TINTED	30	2.0	2.8	40	35	5YT-F

UNLESS OTHERWISE SPECIFIED: DIMENSIONS ARE IN INCHES		 <b>4 THOMAS, IRVINE, CA.92618</b> TEL: (949) 951-8808 FAX: (949) 951-3974		
TOLERANCES				
DECIMALS	ANGULAR	PART NAME: MOLDED SELF-RETAINING T-1 3/4 (5mm) LED MOUNT ASSEMBLY		
DESIGNER DAVID GREEN	DATE 09/30/03	SIZE A	DWG NAME LTMXX5XX	REV B
CHECKER M CHEN	DATE 09/30/03	SCALE 1=1	CAGE CODE 32559	SHEET 2 OF 3

REV	DESCRIPTION	DATE	APPROVED
	SEE SHEET #1.		

LED Assy. No.	Peak Wave Length $\lambda_p$ (nm)	Emitted Color	Lens Appearance	Electro-Optical Data			Viewing Angle $2\theta \frac{1}{2}$ (Deg)	LED P/N
				Vf (V)		Iv (mcd)		
				TYP	MAX	TYP		
<b>LOW CURRENT</b>				<b>Data @ 2mA</b>				
LTMXXX5ADL	605	AMBER	DIFFUSED	2.0	2.6	4	40	5ADL-F
LTMXXX5BWDL	430	BLUE	DIFFUSED	3.8	4.2	4	40	5BWDL-F
LTMXXX5GDL	568	GREEN	DIFFUSED	2.1	2.6	4	40	5GDL-F
LTMXXX5HDL	625	HE RED	DIFFUSED	2.0	2.6	5	40	5HDL-F
LTMXXX5PGDL	555	PURE GREEN	DIFFUSED	2.1	2.6	1	40	5PGDL-F
LTMXXX5SRDL	645	RED	DIFFUSED	1.7	2.3	6	40	5SRDL-F
LTMXXX5YDL	590	YELLOW	DIFFUSED	2.0	2.6	4	40	3YDL-F
<b>5 VOLT</b>				<b>Data @ 5V</b>				
LTMXXX5AD5V	605	AMBER	DIFFUSED	-	5.0	25	40	5AD5V-F
LTMXXX5BWD5V	430	BLUE	DIFFUSED	-	5.0	15	40	5BWD5V-F
LTMXXX5GD5V	568	GREEN	DIFFUSED	-	5.0	25	40	5GD5V-F
LTMXXX5HD5V	625	HE RED	DIFFUSED	-	5.0	30	40	5HD5V-F
LTMXXX5RD5V	700	RED	DIFFUSED	-	5.0	1.5	40	5RD5V-F
LTMXXX5YD5V	590	YELLOW	DIFFUSED	-	5.0	25	40	5YD5V-F

UNLESS OTHERWISE SPECIFIED: DIMENSIONS ARE IN INCHES		<b>Bivar</b> <sup>®</sup> 4 THOMAS, IRVINE, CA.92618 TEL: (949) 951-8808 FAX: (949) 951-3974		
TOLERANCES				
DECIMALS	ANGULAR	PART NAME: MOLDED SELF-RETAINING T-1 3/4 (5mm) LED MOUNT ASSEMBLY		
DESIGNER DAVID GREEN	DATE 09/30/03	SIZE A	DWG NAME LTMXXX5XX	REV B
CHECKER M CHEN	DATE 09/30/03	SCALE 1=1	CAGE CODE 32559	SHEET 3 OF 3

## X-ON Electronics

Largest Supplier of Electrical and Electronic Components

*Click to view similar products for [LED Circuit Board Indicators](#) category:*

*Click to view products by [Bivar](#) manufacturer:*

Other Similar products are found below :

[568-0701-841F](#) [LTL-4221NH129](#) [LTL-42DGNMHDP1](#) [HLMP1521101](#) [HLMP1523802F](#) [HLMP1700101F](#) [HLMP1700104F](#) [SMF-HM1530YD-305](#) [SSF-LXH409SYSUGW](#) [AM2520EHSGD](#) [HLMP1301104F](#) [HLMP1385101F](#) [HLMP1421101](#) [HLMP1503103F](#) [HLMP1503104F](#) [HLMP1700102F](#) [HLMP1700106F](#) [HLMP1700107F](#) [HLMP1790101F](#) [HLMP1790103F](#) [LTL-4211NHBP](#) [5390H3](#) [551-2802F](#) [552-0794-810F](#) [553-0222-812F](#) [HT3-BC-T](#) [564-0700-831F](#) [WP59BLGEW](#) [103-3101-1231-403](#) [5502407811F](#) [550-3007-810F](#) [551-3307MF](#) [552080-1](#) [573-2399-100F](#) [5932-927-2701-3F](#) [SMF-HM1530SRD-509](#) [SSF-LXH100MID](#) [SSF-LXH2103SRSDRP](#) [SSF-LXH555USBW](#) [WP937SB/4YGW](#) [WP937EB2EGW](#) [551-0312-802F](#) [553-0110-802F](#) [561-5501-050F](#) [6202T3-5VLC](#) [LTL-307G08A-D](#) [CMD57164](#) [568-2231-313F](#) [568-0102-809F](#) [568-0102-808F](#)