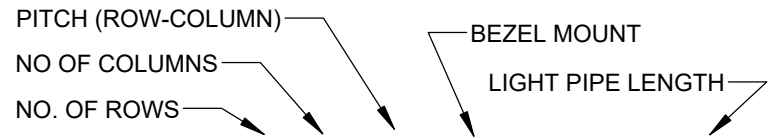


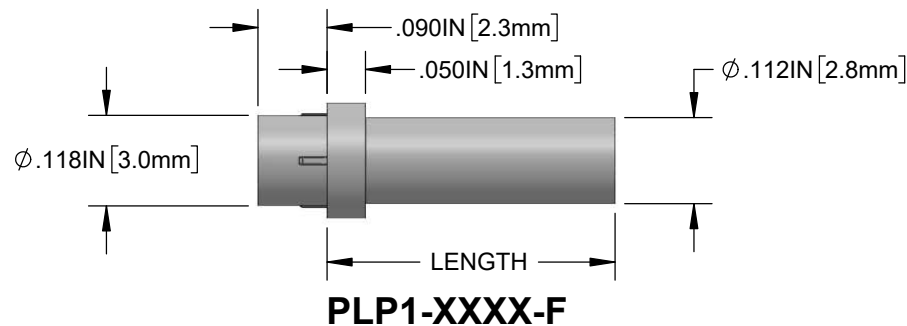
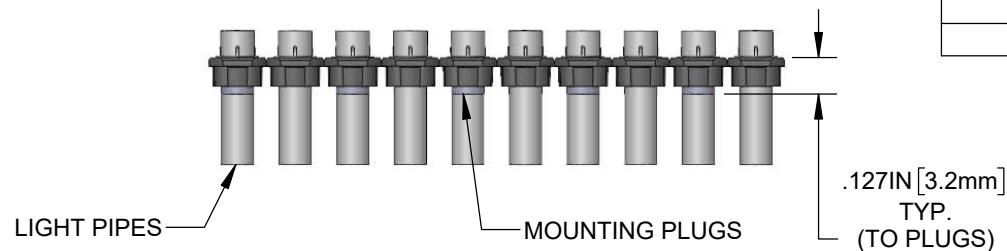
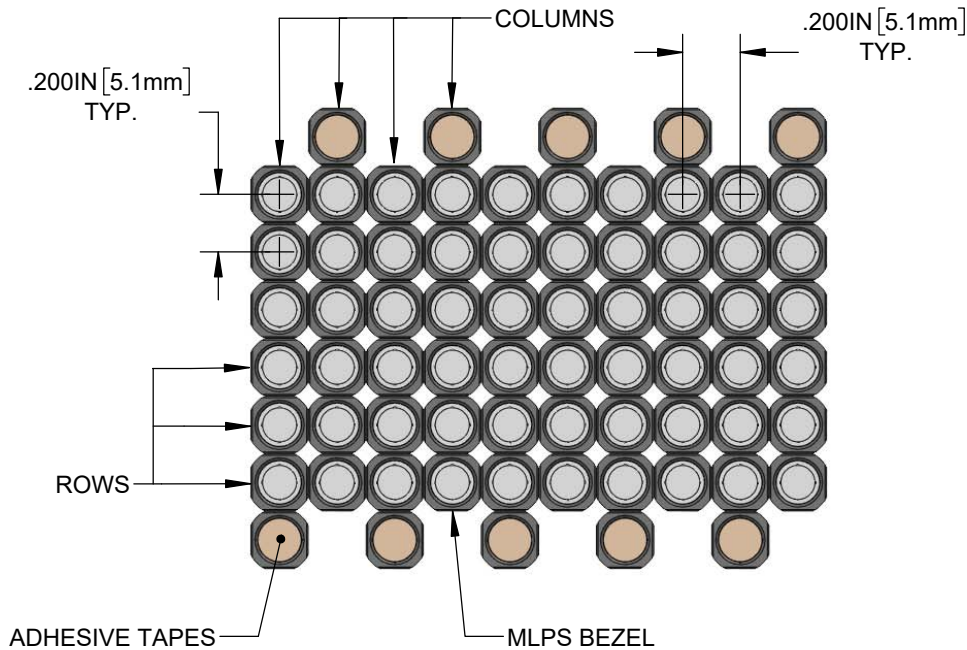
**NOTES:**

1. BEZEL MATERIAL IS NYLON 6/6, UL94 V-0
2. DOUBLE-SIDED ADHESIVE TAPE MATERIAL IS KRAFT PAPER WITH 3M 9482.
3. LIGHT PIPE IS CLEAR POLYCARBONATE, UL94 V-0.
4. ASSEMBLIES ARE PACKAGED AND SHIPPED ASSEMBLED.

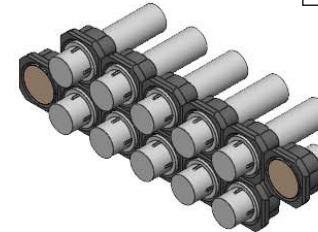
REVISIONS			
REV.	DESCRIPTION	DATE	APPROVED
A	ENGINEERING RELEASE	07/19/23	A.V.



**P/N: MLPS - B - 3 - HHJJ - KK - T - PLP1-XXXX-F**



ARRAY CONFIGURATION		PITCH (ROW - COLUMN) "KK"			BEZEL MOUNT "T"	LIGHT PIPE LENGTH	
ROWS "HH"	COLUMNS "JJ"	PITCH	ROW "K_"	COLUMN "_K"	2	LENGTH	CODE "XXXX"
01	01	0.000 IN	0	0	4	.188 IN	188
02	02		0.200 IN	C	6	.250 IN	250
03	03				8	.313 IN	313
04	04				10	.350 IN	350
05	05				12	.375 IN	375
06	06				14	.500 IN	500
07	07					.625 IN	625
08	08					.750 IN	750
09	09					.830 IN	830
10	10					5.0 mm	5MM
11	11					6.0 mm	6MM
	12					7.0 mm	7MM
	13					8.0 mm	8MM
	14					9.0 mm	9MM
						10.0 mm	10MM



**PART NO. EXAMPLE:**  
**MLPS-B-3-0205-CC-2-PLP1-375-F**  
 2 ROWS, 5 COLUMNS  
 .200 X .200 PITCH (ROW-COLUMN)  
 2 BEZEL MOUNTS  
 PLP1-375-F LIGHT PIPE

**CUSTOMER USE DRAWING**

STANDARD TOLERANCE (UNLESS OTHERWISE SPECIFIED)		 4 THOMAS, IRVINE, CA. 92618 TEL: (949) 951-8808 FAX: (949) 951-3974			
DECIMALS .X ± .1 .XX ± .01 .XXX ± .005				ANGULAR X° ± 1°	
DESIGNED: A.VALDEZ		DATE: 07/19/2023		TITLE: MODULAR LIGHT PIPE SYSTEM, BEZEL, PLP1-XXXX-F	
REVISION: A		DRAWING NO: MLPS-B-3-HHJJ-KK-T-PLP1-XXXX-F_A		REVISION: A	
CHECKED: MICHAEL P.		DATE: 07/19/2023		SHEET SIZE A	
		SCALE: N/A		CAGE CODE: 32559	
				SHEET # 1 OF 1	

## X-ON Electronics

Largest Supplier of Electrical and Electronic Components

*Click to view similar products for [LED Light Pipes](#) category:*

*Click to view products by [Bivar](#) manufacturer:*

Other Similar products are found below :

[LPA-C011301S-6](#) [FLP25-1.95](#) [LPA-C011301S-5.4](#) [LPA-R051171S-12](#) [LPA-S011331S](#) [515-1027-803F](#) [515-1217F](#) [515-1064-810F](#)  
[7511A41](#) [7511A87-500](#) [5151064802F](#) [LPF-R011340S](#) [515-1166-801F](#) [LC-11.25](#) [CLP-1214](#) [515-1064-808F](#) [515-1192-0025-0DF](#) [515-1192-80-3DF](#) [1279.1008](#) [1296.7022](#) [BFL-1115](#) [LC2-4.1](#) [SF4-2.5-F5P](#) [PLP5-2-625-54](#) [FLP25-13.5](#) [MLPS-RTB-3-0302-00-1000-0000-D-2](#)  
[1271.2002](#) [1272.0030](#) [1276.2004](#) [1281.1001-8MM](#) [1282.1300](#) [1296.1034](#) [1296.2054](#) [1296.3004](#) [LCS112CTP](#) [LCS132CTP](#) [LCV136CTP](#)  
[LMS053CTP](#) [LPC062CTP](#) [LPC076CTP](#) [LPC078CTP](#) [LPC096CTP](#) [LPC105CTP](#) [LPC110CTP](#) [LPC122CTP](#) [LPC130CTP](#) [LPC170CTP](#)  
[LSS024CTP](#) [LSV060CTP](#) [LSV080CTP](#)