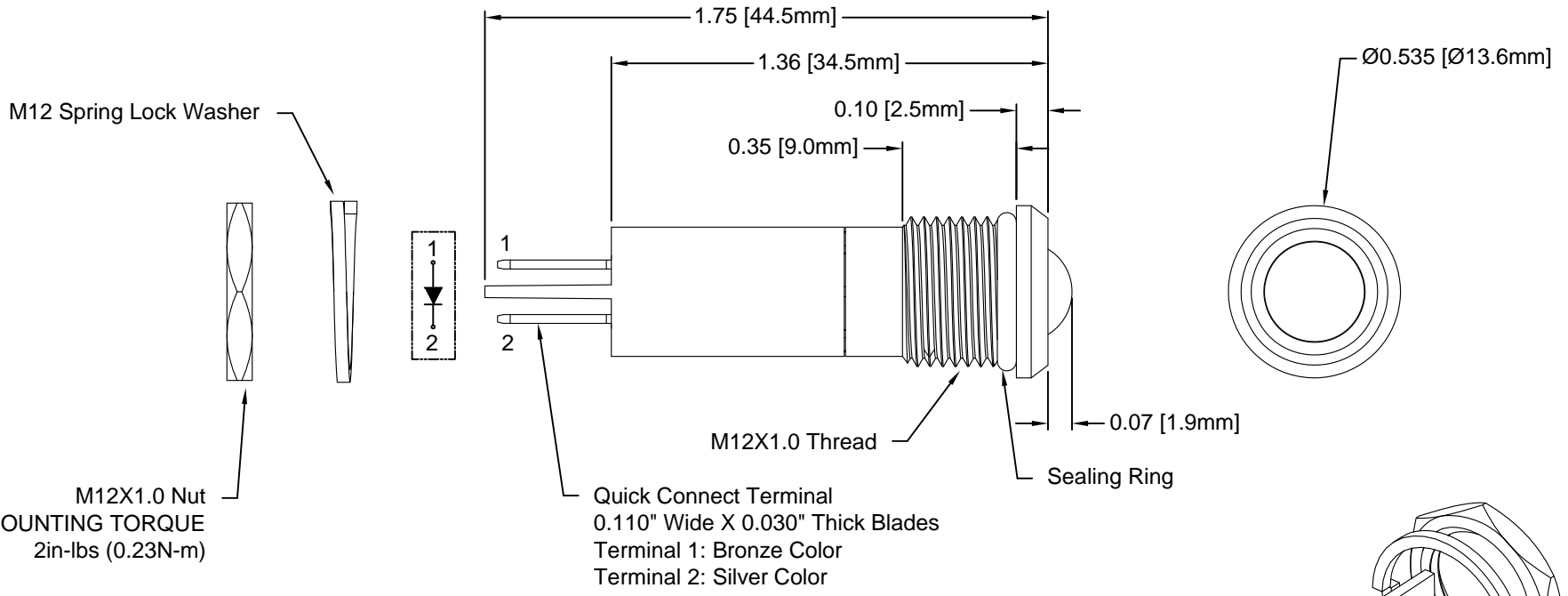
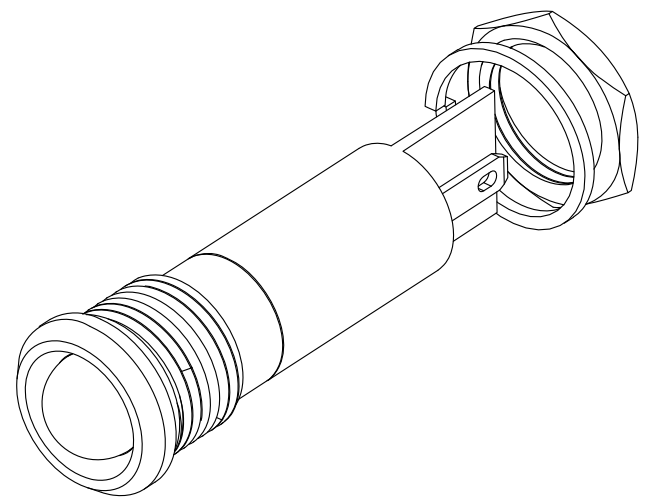
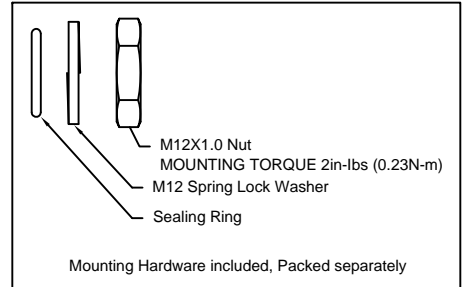
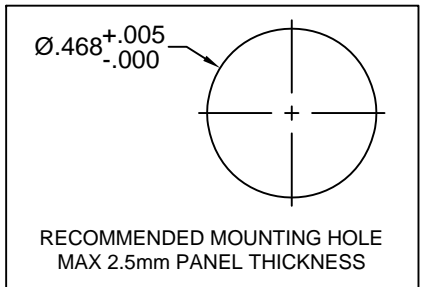


REV.	DESCRIPTION	DATE	APPROVED
A	Engineering Release	08/13/14	J. C.
B	Engineering Update w/o Changes	08/11/16	J. C.



RECOMMENDED MOUNTING TORQUE  
2in-lbs (0.23N-m)



- NOTES:**
1. SEALED TO IP54 RATING
  2. VOLTAGE INPUT OPTIONS: 12V/24V/110V/220V
  3. ROHS COMPLIANT
  4. MOUNTING HARDWARE PACKED SEPARATELY NON-ASSEMBLED
  5. INSERT SEALING RING ON PANEL MOUNT ASSEMBLY PRIOR TO PANEL INSTALLATION


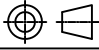
STANDARD TOLERANCE (UNLESS OTHERWISE SPECIFIED)		BIVAR®	
DECIMALS	ANGULAR	4 THOMAS, IRVINE, CA. 92618	
.X ± .1	X° ± 1°	TEL: (949) 951-8808 FAX: (949) 951-3974	
.XX ± .02		<b>TITLE:</b> MPC12-1 SERIES, IP54 RATED PANEL MOUNT INDICATOR	
.XXX ± .010		<b>PART NO:</b> MPC12-1XDXXV	<b>REVISION:</b> B
<b>DESIGNED:</b> M. Doan	<b>DATE:</b> 08/13/14	<b>CAGE CODE :</b> 32559	<b>SHEET #</b> 1 OF 2
<b>CHECKED:</b> B. Oliver	<b>DATE:</b> 08/13/14	CAD GENERATED DOCUMENT. DO NOT MEASURE DRAWING.	

REV.	DESCRIPTION	DATE	APPROVED
	SEE SHEET #1		

Part Number	Dominant Wave Length $\lambda_d$ (nm)	Emitted Color	Lens Appearance	Voltage	Luminous Intensity (mcd)	Viewing Angle (degree)
MPC12-1RD12V	625	Red	Diffused	12V	415	45
MPC12-1GD12V	525	Green	Diffused	12V	1880	45
MPC12-1YD12V	590	Yellow	Diffused	12V	415	45
MPC12-1BWD12V	470	Blue	Diffused	12V	835	45
MPC12-1WD12V	x=0.36, y=0.32	White	Diffused	12V	7315	45
MPC12-1RD24V	625	Red	Diffused	24V	415	45
MPC12-1GD24V	525	Green	Diffused	24V	1880	45
MPC12-1YD24V	590	Yellow	Diffused	24V	415	45
MPC12-1BWD24V	470	Blue	Diffused	24V	835	45
MPC12-1WD24V	x=0.36, y=0.32	White	Diffused	24V	7315	45
MPC12-1RD110V	625	Red	Diffused	110V	20	45
MPC12-1GD110V	525	Green	Diffused	110V	205	45
MPC12-1YD110V	590	Yellow	Diffused	110V	20	45
MPC12-1BWD110V	470	Blue	Diffused	110V	70	45
MPC12-1WD110V	x=0.36, y=0.32	White	Diffused	110V	250	45
MPC12-1RD220V	625	Red	Diffused	220V	10	45
MPC12-1GD220V	525	Green	Diffused	220V	100	45
MPC12-1YD220V	590	Yellow	Diffused	220V	10	45
MPC12-1BWD220V	470	Blue	Diffused	220V	35	45
MPC12-1WD220V	x=0.36, y=0.32	White	Diffused	220V	125	45

**ABSOLUTE MAXIMUM RATINGS (Ta = 25°C)**

POWER INPUT \_\_\_\_\_ 0.5W MAX  
 OPERATING TEMPERATURE RANGE \_\_\_\_\_ -40°C ~ 80°C  
 STORAGE TEMPERATURE \_\_\_\_\_ -40°C ~ 80°C  
 TERMINAL SOLDERING TEMPERATURE \_\_\_\_\_ 260°C, 5s

STANDARD TOLERANCE ( UNLESS OTHERWISE SPECIFIED ) DECIMALS                      ANGULAR		 4 THOMAS, IRVINE, CA. 92618 TEL: (949) 951-8808    FAX: (949) 951-3974	
			
DESIGNED: <b>M. Doan</b>	DATE: <b>08/13/14</b>	<b>TITLE:</b> MPC12-1 SERIES, IP54 RATED PANEL MOUNT INDICATOR	
CHECKED: <b>B. Oliver</b>	DATE: <b>08/13/14</b>	<b>PART NO:</b> <b>MPC12-1XDXXV</b>	<b>REVISION:</b> <b>B</b>
		<b>CAGE CODE :</b> 32559	<b>SHEET #</b> 2 OF 2
CAD GENERATED DOCUMENT. DO NOT MEASURE DRAWING.			

## X-ON Electronics

Largest Supplier of Electrical and Electronic Components

*Click to view similar products for [LED Panel Mount Indicators](#) category:*

*Click to view products by [Bivar](#) manufacturer:*

Other Similar products are found below :

[607-3232-140F](#) [821-0331-503](#) [FL2870C8R](#) [FL2950WL7B](#) [FL2950WL8G](#) [FL589WL8R](#) [FL67C8R](#) [H8630FBBA3](#) [NL177WL2A](#)  
[NL177WL3G](#) [NL276C2A](#) [NL2950BWL3G](#) [NL589WL2R](#) [NL67C2C](#) [NL67C3R](#) [C480AABG3](#) [PB22BM41K](#) [PB22SIM40Y](#)  
[PB22SKRS31KC](#) [L32R-R2-2311](#) [L3353-MWRG](#) [L39UR-R24-2111](#) [L58D-G2-W](#) [L58D-Y2-W](#) [L59D-R12-W](#) [L59UD-R12-W](#) [L625DG](#)  
[L625DR](#) [LE177WL39007](#) [LE2821H5G](#) [LH1048BSWL3702](#) [LH1048BWL3702](#) [LH382A](#) [LH677G](#) [LHM628A](#) [FL276WL7R](#)  
[FL2950BWL7R](#) [FL2950WL7R](#) [FL2950WL8R](#) [FL2950WL8R-12](#) [FL2951WL8G](#) [FL2951WL8R](#) [FL589C7R](#) [FL67WL8G](#) [MPC5BCW18.0](#)  
[556-1605-808F](#) [556-1705-809F](#) [556-3008-839F](#) [558-0201-818F](#) [559-0001-813F](#)