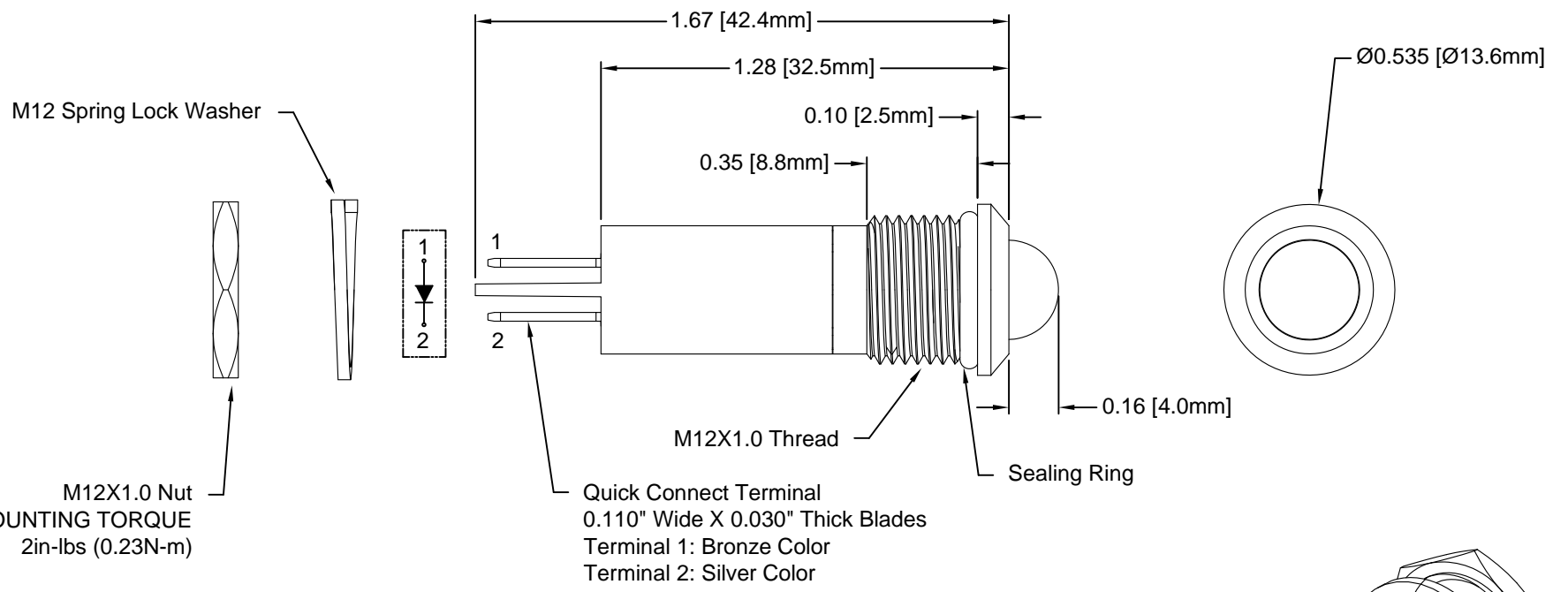
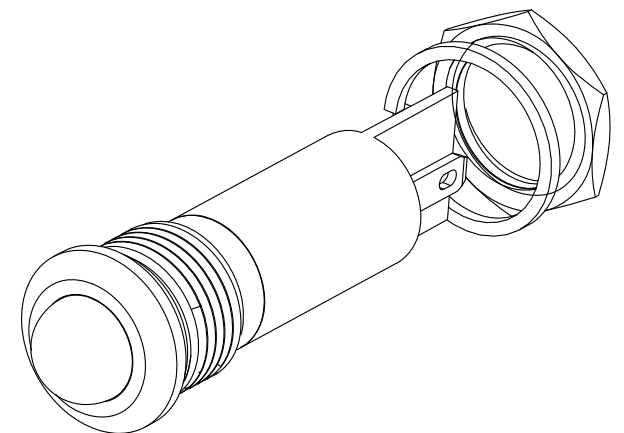
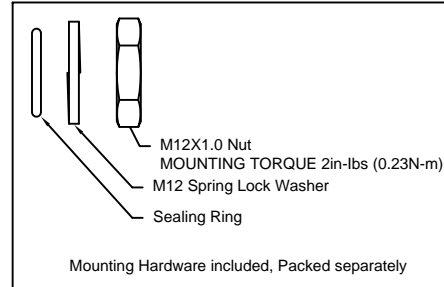
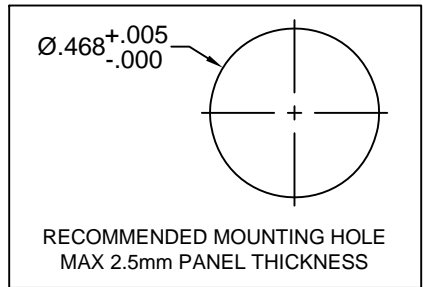


| REV. | DESCRIPTION                    | DATE     | APPROVED |
|------|--------------------------------|----------|----------|
| A    | Engineering Release            | 08/14/14 | J. C.    |
| B    | Engineering Update w/o Changes | 08/11/16 | J. C.    |
|      |                                |          |          |
|      |                                |          |          |



M12X1.0 Nut  
**RECOMMENDED MOUNTING TORQUE**  
 2in-lbs (0.23N-m)



- NOTES:**
1. SEALED TO IP54 RATING
  2. VOLTAGE INPUT OPTIONS: 12V/24V/110V/220V
  3. ROHS COMPLIANT
  4. MOUNTING HARDWARE PACKED SEPARATELY NON-ASSEMBLED
  5. INSERT SEALING RING ON PANEL MOUNT ASSEMBLY PRIOR TO PANEL INSTALLATION


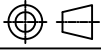
| STANDARD TOLERANCE<br>(UNLESS OTHERWISE SPECIFIED) |                          | <b>BIVAR</b> <sup>®</sup>   |                       |
|--|--------------------------|---|-----------------------|
| DECIMALS   | ANGULAR                  | 4 THOMAS, IRVINE, CA. 92618                                       |                       |
| .X ± .1  | X° ± 1°                  | TEL: (949) 951-8808 FAX: (949) 951-3974                           |                       |
| .XX ± .02  |                          | <b>TITLE:</b> MPC12-2 SERIES, IP54 RATED<br>PANEL MOUNT INDICATOR |                       |
| .XXX ± .010  |                          | <b>PART NO:</b><br>MPC12-2XDXXV                                   | <b>REVISION:</b><br>B |
| <b>DESIGNED:</b><br>M. Doan                        | <b>DATE:</b><br>08/14/14 | <b>CAGE CODE :</b> 32559  | <b>SHEET #</b> 1 OF 2 |
| <b>CHECKED:</b><br>B. Oliver                       | <b>DATE:</b><br>08/14/14 | CAD GENERATED DOCUMENT. DO NOT MEASURE DRAWING.                   |                       |

|      |              |      |          |
|------|--------------|------|----------|
| REV. | DESCRIPTION  | DATE | APPROVED |
|      | SEE SHEET #1 |      |          |

| Part Number    | Dominant Wave Length $\lambda_d$ (nm) | Emitted Color | Lens Appearance | Voltage | Luminous Intensity (mcd) | Viewing Angle (degree) |
|----------------|---------------------------------------|---------------|-----------------|---------|--------------------------|------------------------|
| MPC12-2RD12V   | 625                                   | Red           | Diffused        | 12V     | 415                      | 45                     |
| MPC12-2GD12V   | 525                                   | Green         | Diffused        | 12V     | 1880                     | 45                     |
| MPC12-2YD12V   | 590                                   | Yellow        | Diffused        | 12V     | 415                      | 45                     |
| MPC12-2BWD12V  | 470                                   | Blue          | Diffused        | 12V     | 835                      | 45                     |
| MPC12-2WD12V   | x=0.36, y=0.32                        | White         | Diffused        | 12V     | 7315                     | 45                     |
| MPC12-2RD24V   | 625                                   | Red           | Diffused        | 24V     | 415                      | 45                     |
| MPC12-2GD24V   | 525                                   | Green         | Diffused        | 24V     | 1880                     | 45                     |
| MPC12-2YD24V   | 590                                   | Yellow        | Diffused        | 24V     | 415                      | 45                     |
| MPC12-2BWD24V  | 470                                   | Blue          | Diffused        | 24V     | 835                      | 45                     |
| MPC12-2WD24V   | x=0.36, y=0.32                        | White         | Diffused        | 24V     | 7315                     | 45                     |
| MPC12-2RD110V  | 625                                   | Red           | Diffused        | 110V    | 20                       | 45                     |
| MPC12-2GD110V  | 525                                   | Green         | Diffused        | 110V    | 205                      | 45                     |
| MPC12-2YD110V  | 590                                   | Yellow        | Diffused        | 110V    | 20                       | 45                     |
| MPC12-2BWD110V | 470                                   | Blue          | Diffused        | 110V    | 70                       | 45                     |
| MPC12-2WD110V  | x=0.36, y=0.32                        | White         | Diffused        | 110V    | 250                      | 45                     |
| MPC12-2RD220V  | 625                                   | Red           | Diffused        | 220V    | 10                       | 45                     |
| MPC12-2GD220V  | 525                                   | Green         | Diffused        | 220V    | 100                      | 45                     |
| MPC12-2YD220V  | 590                                   | Yellow        | Diffused        | 220V    | 10                       | 45                     |
| MPC12-2BWD220V | 470                                   | Blue          | Diffused        | 220V    | 35                       | 45                     |
| MPC12-2WD220V  | x=0.36, y=0.32                        | White         | Diffused        | 220V    | 125                      | 45                     |

**ABSOLUTE MAXIMUM RATINGS (Ta = 25°C)**

POWER INPUT \_\_\_\_\_ 0.5W MAX  
 OPERATING TEMPERATURE RANGE \_\_\_\_\_ -40°C ~ 80°C  
 STORAGE TEMPERATURE \_\_\_\_\_ -40°C ~ 80°C  
 TERMINAL SOLDERING TEMPERATURE \_\_\_\_\_ 260°C, 5s

|   |         |   |                          |
|---|---------|---|--------------------------|
| STANDARD TOLERANCE<br>(UNLESS OTHERWISE SPECIFIED)                                    |         | <br>4 THOMAS, IRVINE, CA. 92618<br>TEL: (949) 951-8808 FAX: (949) 951-3974 |                          |
| DECIMALS  | ANGULAR |   |                          |
|  |         | TITLE: MPC12-2 SERIES, IP54 RATED<br>PANEL MOUNT INDICATOR  |                          |
|   |         | DESIGNED:<br><b>M. Doan</b>   | DATE:<br><b>08/14/14</b> |
| CHECKED:<br><b>B. Oliver</b>  |         | DATE:<br><b>08/14/14</b>  |                          |
|   |         | CAGE CODE : 32559 SHEET # 2 OF 2  |                          |
| CAD GENERATED DOCUMENT. DO NOT MEASURE DRAWING.                                       |         |   |                          |

## X-ON Electronics

Largest Supplier of Electrical and Electronic Components

*Click to view similar products for [LED Panel Mount Indicators](#) category:*

*Click to view products by [Bivar](#) manufacturer:*

Other Similar products are found below :

[607-3232-140F](#) [821-0331-503](#) [FL2870C8R](#) [FL2950WL7B](#) [FL2950WL8G](#) [FL589WL8R](#) [FL67C8R](#) [H8630FBBA3](#) [NL177WL2A](#)  
[NL177WL3G](#) [NL276C2A](#) [NL2950BWL3G](#) [NL589WL2R](#) [NL67C2C](#) [NL67C3R](#) [C480AABG3](#) [PB22BM41K](#) [PB22SIM40Y](#)  
[PB22SKRS31KC](#) [L32R-R2-2311](#) [L3353-MWRG](#) [L39UR-R24-2111](#) [L58D-G2-W](#) [L58D-Y2-W](#) [L59D-R12-W](#) [L59UD-R12-W](#) [L625DG](#)  
[L625DR](#) [LE177WL39007](#) [LH1048BSWL3702](#) [LH1048BWL3702](#) [LH382A](#) [LH677G](#) [LHM628A](#) [FL276WL7R](#) [FL2950BWL7R](#)  
[FL2950WL7R](#) [FL2950WL8R](#) [FL2950WL8R-12](#) [FL2951WL8G](#) [FL2951WL8R](#) [FL589C7R](#) [FL67WL8G](#) [MPC5BCW18.0](#) [556-1605-808F](#)  
[556-1705-809F](#) [556-3008-839F](#) [558-0201-818F](#) [559-0001-813F](#) [559-1301-801F](#)