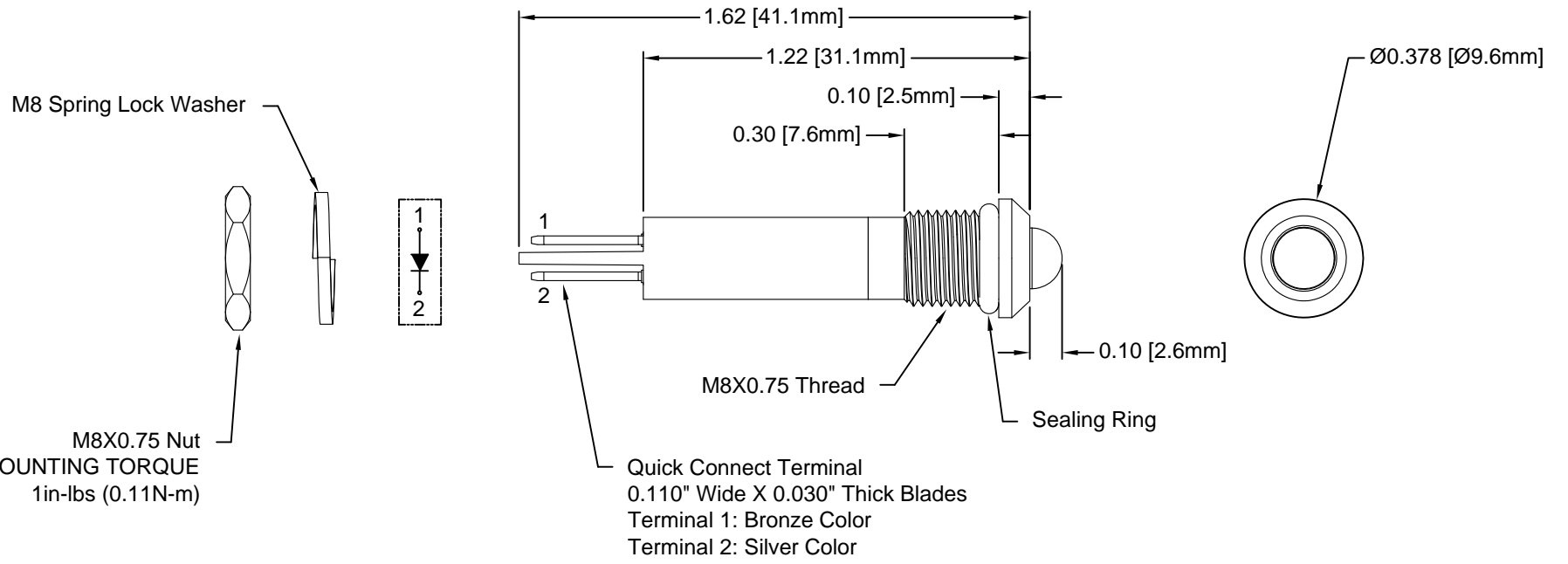
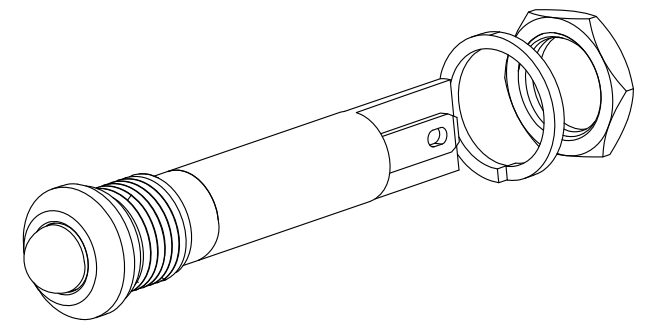
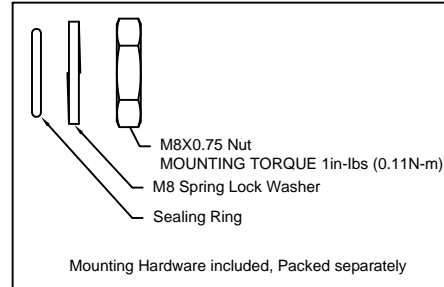
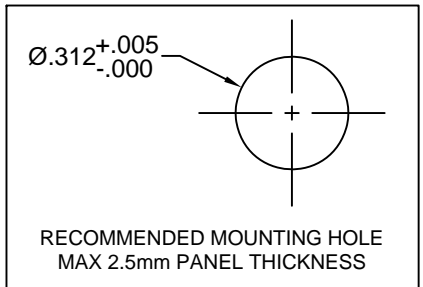


| REV. | DESCRIPTION | DATE | APPROVED |
|------|--------------------------------|----------|----------|
| A | Engineering Release | 08/18/14 | J. C. |
| B | Engineering Update w/o Changes | 08/11/16 | J. C. |
| | | | |
| | | | |



M8X0.75 Nut
RECOMMENDED MOUNTING TORQUE
 1in-lbs (0.11N-m)

Quick Connect Terminal
 0.110" Wide X 0.030" Thick Blades
 Terminal 1: Bronze Color
 Terminal 2: Silver Color



- NOTES:**
1. SEALED TO IP54 RATING
 2. VOLTAGE INPUT OPTIONS: 12V/24V/110V/220V
 3. ROHS COMPLIANT
 4. MOUNTING HARDWARE PACKED SEPARATELY NON-ASSEMBLED
 5. INSERT SEALING RING ON PANEL MOUNT ASSEMBLY PRIOR TO PANEL INSTALLATION


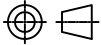
| STANDARD TOLERANCE (UNLESS OTHERWISE SPECIFIED) | | BIVAR® | |
|--|--------------------------|--|-----------------------|
| DECIMALS | ANGULAR | 4 THOMAS, IRVINE, CA. 92618 | |
| .X ± .1 | X° ± 1° | TEL: (949) 951-8808 FAX: (949) 951-3974 | |
| .XX ± .02 | | TITLE: MPC8-2 SERIES, IP54 RATED PANEL MOUNT INDICATOR | |
| .XXX ± .010 | | PART NO: MPC8-2XDXXV | REVISION: B |
| DESIGNED: M. Doan | DATE: 08/18/14 | CAGE CODE : 32559 | SHEET # 1 OF 2 |
| CHECKED: B. Oliver | DATE: 08/18/14 | CAD GENERATED DOCUMENT. DO NOT MEASURE DRAWING. | |

| | | | |
|------|--------------|------|----------|
| REV. | DESCRIPTION | DATE | APPROVED |
| | SEE SHEET #1 | | |

| Part Number | Dominant Wave Length λ_d (nm) | Emitted Color | Lens Appearance | Voltage | Luminous Intensity (mcd) | Viewing Angle (degree) |
|---------------|---------------------------------------|---------------|-----------------|---------|--------------------------|------------------------|
| MPC8-2RD12V | 625 | Red | Diffused | 12V | 310 | 45 |
| MPC8-2GD12V | 515 | Green | Diffused | 12V | 2090 | 45 |
| MPC8-2YD12V | 590 | Yellow | Diffused | 12V | 310 | 45 |
| MPC8-2BWD12V | 470 | Blue | Diffused | 12V | 625 | 45 |
| MPC8-2WD12V | x=0.36, y=0.32 | White | Diffused | 12V | 4910 | 45 |
| MPC8-2RD24V | 625 | Red | Diffused | 24V | 310 | 45 |
| MPC8-2GD24V | 515 | Green | Diffused | 24V | 2090 | 45 |
| MPC8-2YD24V | 590 | Yellow | Diffused | 24V | 310 | 45 |
| MPC8-2BWD24V | 470 | Blue | Diffused | 24V | 625 | 45 |
| MPC8-2WD24V | x=0.36, y=0.32 | White | Diffused | 24V | 4910 | 45 |
| MPC8-2RD110V | 625 | Red | Diffused | 110V | 20 | 45 |
| MPC8-2GD110V | 515 | Green | Diffused | 110V | 125 | 45 |
| MPC8-2YD110V | 590 | Yellow | Diffused | 110V | 20 | 45 |
| MPC8-2BWD110V | 470 | Blue | Diffused | 110V | 40 | 45 |
| MPC8-2WD110V | x=0.36, y=0.32 | White | Diffused | 110V | 165 | 45 |
| MPC8-2RD220V | 625 | Red | Diffused | 220V | 10 | 45 |
| MPC8-2GD220V | 515 | Green | Diffused | 220V | 60 | 45 |
| MPC8-2YD220V | 590 | Yellow | Diffused | 220V | 10 | 45 |
| MPC8-2BWD220V | 470 | Blue | Diffused | 220V | 20 | 45 |
| MPC8-2WD220V | x=0.36, y=0.32 | White | Diffused | 220V | 80 | 45 |

ABSOLUTE MAXIMUM RATINGS (Ta = 25°C)

POWER INPUT _____ 0.5W MAX
 OPERATING TEMPERATURE RANGE _____ -40°C ~ 80°C
 STORAGE TEMPERATURE _____ -40°C ~ 80°C
 TERMINAL SOLDERING TEMPERATURE _____ 260°C, 5s

| | | | |
|---|--------------------------|--|-----------------------|
| STANDARD TOLERANCE (UNLESS OTHERWISE SPECIFIED) DECIMALS ANGULAR | |  4 THOMAS, IRVINE, CA. 92618 TEL: (949) 951-8808 FAX: (949) 951-3974 | |
|  | | | |
| DESIGNED: M. Doan | DATE: 08/18/14 | TITLE: MPC8-2 SERIES, IP54 RATED PANEL MOUNT INDICATOR | |
| CHECKED: B. Oliver | DATE: 08/18/14 | PART NO: MPC8-2XDXXV | REVISION: B |
| | | CAGE CODE : 32559 | SHEET # 2 OF 2 |
| CAD GENERATED DOCUMENT. DO NOT MEASURE DRAWING. | | | |

X-ON Electronics

Largest Supplier of Electrical and Electronic Components

Click to view similar products for [LED Panel Mount Indicators](#) category:

Click to view products by [Bivar](#) manufacturer:

Other Similar products are found below :

[607-3232-140F](#) [821-0331-503](#) [FL2870C8R](#) [FL2950WL7B](#) [FL2950WL8G](#) [FL589WL8R](#) [FL67C8R](#) [H8630FBBA3](#) [NL177WL2A](#)
[NL177WL3G](#) [NL276C2A](#) [NL2950BWL3G](#) [NL589WL2R](#) [NL67C2C](#) [NL67C3R](#) [C480AABG3](#) [PB22BM41K](#) [PB22SIM40Y](#)
[PB22SKRS31KC](#) [L32R-R2-2311](#) [L3353-MWRG](#) [L39UR-R24-2111](#) [L58D-G2-W](#) [L58D-Y2-W](#) [L59D-R12-W](#) [L59UD-R12-W](#) [L625DG](#)
[L625DR](#) [LE177WL39007](#) [LE2821H5G](#) [LH1048BSWL3702](#) [LH1048BWL3702](#) [LH382A](#) [LH677G](#) [LHM628A](#) [FL276WL7R](#)
[FL2950BWL7R](#) [FL2950WL7R](#) [FL2950WL8R](#) [FL2950WL8R-12](#) [FL2951WL8G](#) [FL2951WL8R](#) [FL589C7R](#) [FL67WL8G](#) [MPC5BCW18.0](#)
[556-1605-808F](#) [556-1705-809F](#) [556-3008-839F](#) [558-0201-818F](#) [559-0001-813F](#)