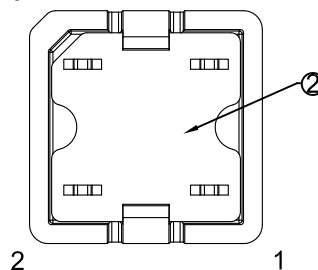
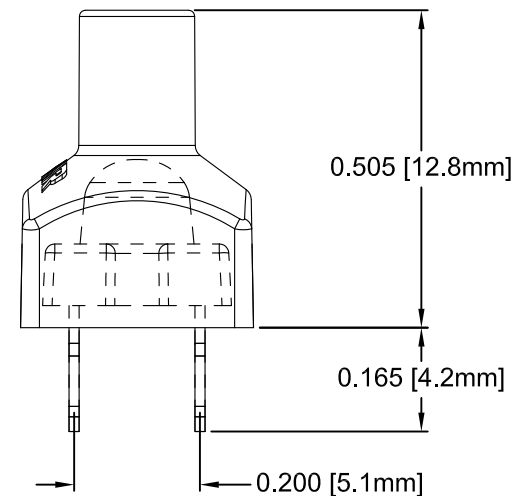
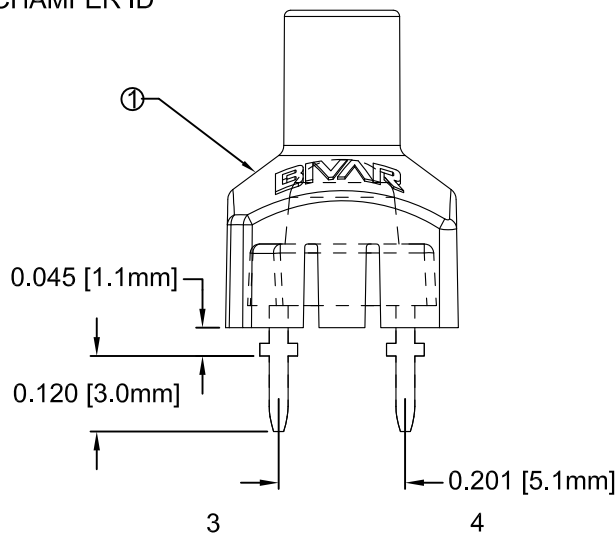
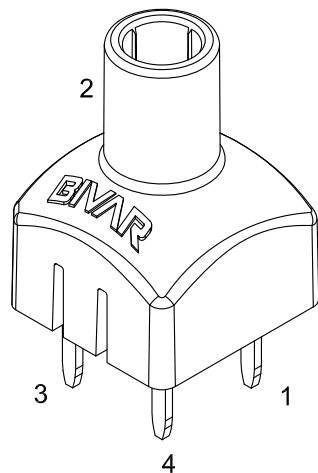
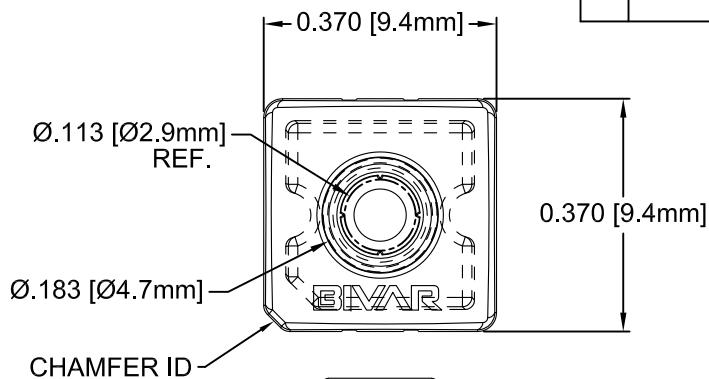
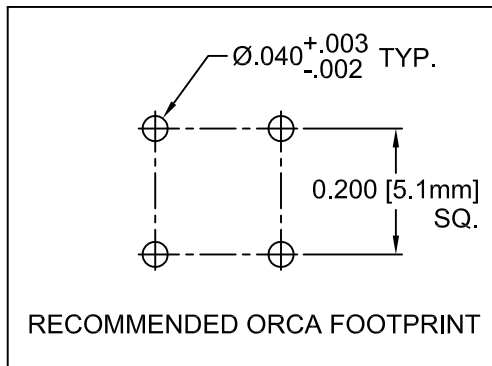


| ITEM | Q'TY | PART NUMBER | PART DESCRIPTION |
|------|------|---------------|---|
| 1 | 1 | ORFLP2 | 2mm Flexible Light Pipe ORCA Adapter |
| 2 | 1 | RXXXXX-4-0045 | 4.6mm Dome 4-Pin Super Flux ORCA LED, 45° |

| REV. | DESCRIPTION | DATE | APPROVED |
|------|----------------------|----------|----------|
| A | Engineering Release. | 09/14/09 | T. Y. |
| | | | |
| | | | |
| | | | |



NOTE: SEE PAGE 2 FOR POLARITY

ABSOLUTE MAXIMUM RATINGS (Ta=25°C)

| | |
|--|---------------------|
| REVERSE VOLTAGE _____ | 5V |
| REVERSE CURRENT _____ | 10uA |
| OPERATING TEMPERATURE RANGE _____ | -25°C ~ +80°C |
| STORAGE TEMPERATURE _____ | -30°C ~ +80°C |
| LEAD SOLDERING TEMPERATURE (1/16" FROM BODY) _____ | 260°C FOR 5 SECONDS |

| STANDARD TOLERANCE (UNLESS OTHERWISE SPECIFIED) | | BIVAR® | |
|---|----------------|---|--|
| DECIMALS | ANGULAR | 4 THOMAS, IRVINE, CA. 92618 | |
| .X ± .2 | X° ± 1° | TEL: (949) 951-8808 FAX: (949) 951-3974 | |
| .XX ± .02 | | TITLE: 2mm FLEXIBLE LIGHT PIPE ORCA ADAPTER W/ LED | |
| .XXX ± .010 | | PART NO: ORFLP2-XXX | |
| DESIGNED: Raffy Paje | DATE: 09/14/09 | REVISION: A | |
| CHECKED: F. Jensen | DATE: 09/14/09 | CAGE CODE : 32559 SHEET # 1 OF 2 | |
| CAD GENERATED DOCUMENT, DO NOT MEASURE DRAWING. | | | |

| REV. | DESCRIPTION | DATE | APPROVED |
|------|--------------|------|----------|
| | SEE SHEET #1 | | |
| | | | |
| | | | |
| | | | |

| Assy P/N | LED P/N | Emitted Color | Dominant Length λ_d (nm) / CCT (K) | Lens Appearance | Absolute Max. Ratings | | | Vf (V) | | | Iv (mcd) | | Viewing Angle 2 $\theta_{1/2}$ (Deg) | POLARITY DIAGRAM |
|---|---------------|---------------|---|-----------------|-----------------------|---------|--------------|--------|-----|-----|----------|------|---|------------------|
| | | | | | Pd (mW) | If (mA) | Peak If (mA) | MIN | TYP | MAX | MIN | TYP | | |
| | | | | | | | | | | | | | | |
| SINGLE COLOR LED ASSEMBLIES (20mA) | | | | | | | | | | | | | | |
| ORFLP2-BLU | R20BLU-4-0045 | BLUE | 465 - 475 | WATER CLEAR | 220 | 50 | 100 | 3.0 | 3.4 | 3.8 | 1000 | 1500 | 45 | FIG. A |
| ORFLP2-GRN | R20GRN-4-0045 | GREEN | 516 - 526 | | 220 | 50 | 100 | 3.0 | 3.4 | 3.8 | 6000 | 8000 | 45 | FIG. A |
| ORFLP2-WHT | R20WHT-4-0045 | WHITE | 6000K | | 220 | 50 | 100 | 3.0 | 3.4 | 3.8 | 6000 | 8000 | 45 | FIG. A |
| SINGLE COLOR LED ASSEMBLIES (50mA) | | | | | | | | | | | | | | |
| ORFLP2-RED | R50RED-4-0045 | RED | 620 - 635 | WATER CLEAR | 140 | 80 | 160 | 2.0 | 2.4 | 2.8 | 5000 | 6000 | 45 | FIG. A |
| ORFLP2-YLW | R50YLW-4-0045 | YELLOW | 588 - 594 | | 140 | 80 | 160 | 2.0 | 2.4 | 2.8 | 5000 | 6000 | 45 | FIG. A |
| BI-COLOR LED ASSEMBLIES (50mA) | | | | | | | | | | | | | | |
| ORFLP2-RG | R50RG2-4-0045 | RED | 620 - 635 | WATER CLEAR | 150 | 80 | 160 | 2.2 | 2.6 | 3.0 | 3000 | 4000 | 45 | FIG. B |
| | | GREEN | 515 - 525 | | 220 | 80 | 150 | 3.4 | 3.8 | 4.4 | 4000 | 5000 | | |
| ORFLP2-RB | R50RB2-4-0045 | RED | 620 - 635 | WATER CLEAR | 150 | 80 | 160 | 2.2 | 2.6 | 3.0 | 3000 | 4000 | 45 | FIG. C |
| | | BLUE | 460 - 470 | | 220 | 80 | 150 | 3.4 | 3.8 | 4.4 | 200 | 400 | | |
| ORFLP2-BG | R50BG2-4-0045 | BLUE | 460 - 470 | WATER CLEAR | 220 | 80 | 150 | 3.4 | 3.8 | 4.4 | 200 | 400 | 45 | FIG. D |
| | | GREEN | 515 - 525 | | 220 | 80 | 150 | 3.4 | 3.8 | 4.4 | 4000 | 5000 | | |
| ORFLP2-RGB | R50RGB-4-0045 | RED | 620 - 635 | WATER CLEAR | 150 | 80 | 160 | 2.2 | 2.6 | 3.0 | 3000 | 4000 | 45 | FIG. E |
| | | GREEN | 515 - 525 | | 220 | 80 | 150 | 3.4 | 3.8 | 4.4 | 4000 | 5000 | | |
| | | BLUE | 460 - 470 | | 220 | 80 | 150 | 3.4 | 3.8 | 4.4 | 200 | 400 | | |

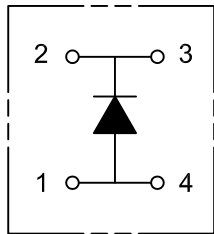


FIG. A

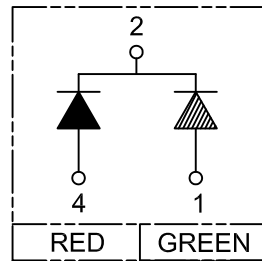


FIG. B

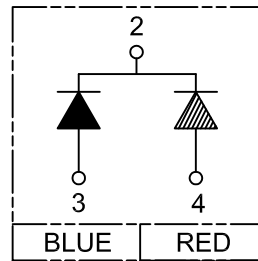


FIG. C

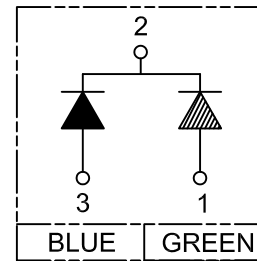


FIG. D

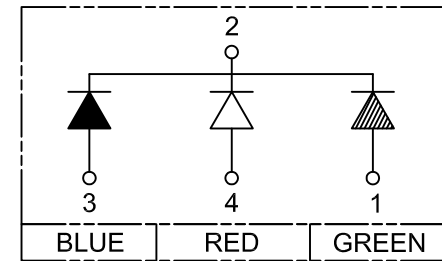


FIG. E

NOTES:
1. INDIVIDUAL LED P/N DATA AVAILABLE @ WWW.BIVAR.COM.

| | | | |
|--|--------------------------|---|-----------------------|
| STANDARD TOLERANCE (UNLESS OTHERWISE SPECIFIED) | | BIVAR [®] 4 THOMAS, IRVINE, CA. 92618 TEL: (949) 951-8808 FAX: (949) 951-3974 | |
| DECIMALS | ANGULAR | | |
| DESIGNED: Raffy Paje | DATE: 09/14/09 | TITLE: 2mm FLEXIBLE LIGHT PIPE ORCA ADAPTER W/ LED | |
| CHECKED: F. Jensen | DATE: 09/14/09 | PART NO: ORFLP2-XXX | REVISION: A |
| | | CAGE CODE : 32559 | SHEET # 2 OF 2 |
| CAD GENERATED DOCUMENT. DO NOT MEASURE DRAWING. | | | |

X-ON Electronics

Largest Supplier of Electrical and Electronic Components

Click to view similar products for [LED Light Pipes](#) category:

Click to view products by [Bivar](#) manufacturer:

Other Similar products are found below :

[1367627-1](#) [SLP3-300-450-F](#) [SLP3-400-450-R](#) [LPA-C011301S-6](#) [LPF-C011306S](#) [FLP25-1.95](#) [VLP-640-F](#) [LPA-C011301S-5.4](#) [LPA-R051171S-12](#) [LPA-S011331S](#) [515-1027-803F](#) [515-1217F](#) [SLP3-150-300-R](#) [SLP3-500-450-R](#) [515-1064-810F](#) [FLPV-SG](#) [BDL-1187](#)
[7511A41](#) [7511A87-500](#) [FLPV-SBC](#) [5151064802F](#) [5151-192-0055-0DF](#) [LPF-R011340S](#) [515-1166-801F](#) [FLPF-6.0](#) [SLP3-350-200-F](#) [PM4-C1522-3.70](#) [LC-11.25](#) [CLP-1214](#) [515-1064-808F](#) [FLX3_05](#) [515-1192-0025-0DF](#) [HS LC-H-D2/ R2XC1-2 54](#) [515-1192-80-3DF](#) [1282.2600](#)
[1296.2004](#) [PBLP-1001-1](#) [SZ1-10.00-A220-F4P54](#) [LC2-4.1](#) [1296.7042](#) [SF4-2.5-F5P](#) [PLP5-2-625-54](#) [FLP25-13.5](#) [1330.1001](#) [1330.1002](#)
[1330.1004](#) [1330.1006](#) [1330.1007](#) [1330.1008](#) [1271.2002](#)