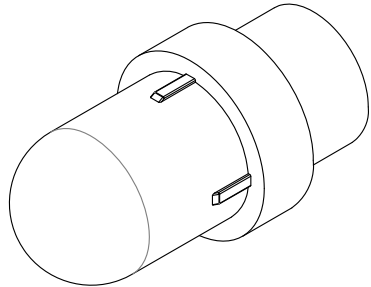
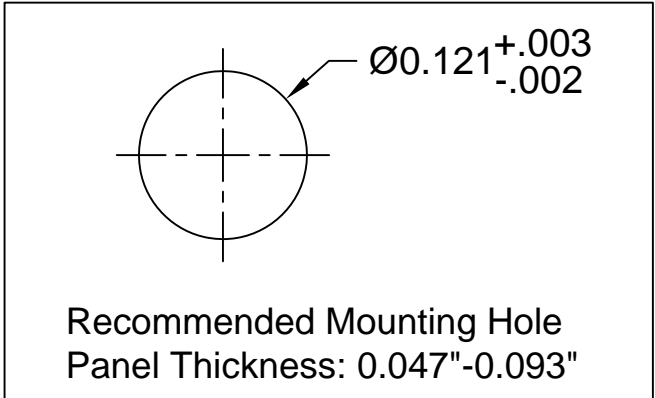
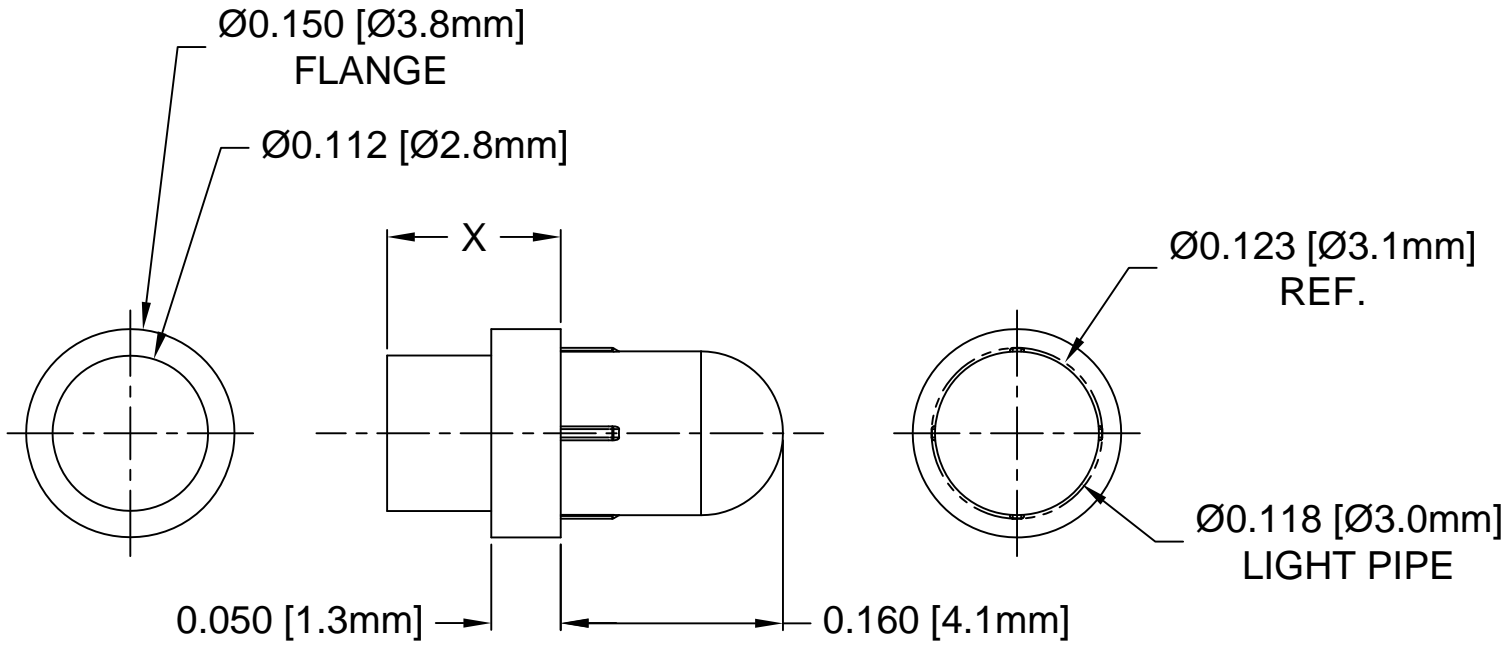

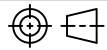


| | |
|--------------|------------------|
| Part No. | X = Body Length |
| PLP1-100-S | 0.100 (2.5mm) |
| PLP1-125-S | 0.125 (3.2mm) |
| PLP1-2.5MM-S | 2.5mm (0.100") |
| PLP1-3MM-S | 3mm (0.118") |

| REV. | DESCRIPTION | DATE | APPROVED |
|------|---------------------|----------|----------|
| A | Engineering Release | 07/15/15 | J. C. |
| | | | |
| | | | |
| | | | |



- 2. MATERIAL: POLYCARBONATE, 94V-0, BLACK DIFFUSED.
- 1. GENERAL SPECIFICATIONS: BIVAR MOLDED COMPONENT SPECIFICATION BV00-E101 and BSMC-1001.

| | | | |
|---|--------------------------|---|-----------------------|
| STANDARD TOLERANCE (UNLESS OTHERWISE SPECIFIED) | |  4 THOMAS, IRVINE, CA. 92618 TEL: (949) 951-8808 FAX: (949) 951-3974 | |
| DECIMALS | ANGULAR | | |
| .X ± .1 | X° ± 1° |  TITLE: PRESS-FIT, PANEL MOUNT, LIGHT PIPE, ROUND TOP, SMOKED PART NO: PLP1-XXX-S REVISION: A | |
| .XX ± .01 | | | |
| .XXX ± .005 | | | |
| DESIGNED: Brian Oliver | DATE: 04/02/15 | CAGE CODE : 32559 | SHEET # 1 OF 1 |
| CHECKED: A. Wright | DATE: 04/02/15 | CAD GENERATED DOCUMENT. DO NOT MEASURE DRAWING. | |

X-ON Electronics

Largest Supplier of Electrical and Electronic Components

Click to view similar products for [LED Light Pipes](#) category:

Click to view products by [Bivar](#) manufacturer:

Other Similar products are found below :

[1367627-1](#) [SLP3-300-450-F](#) [SLP3-400-450-R](#) [LPA-C011301S-6](#) [LPF-C011306S](#) [FLP25-1.95](#) [VLP-640-F](#) [LPA-C011301S-5.4](#) [LPA-R051171S-12](#) [LPA-S011331S](#) [515-1027-803F](#) [515-1217F](#) [SLP3-150-300-R](#) [SLP3-500-450-R](#) [515-1064-810F](#) [FLPV-SG](#) [BDL-1187](#) [7511A41](#) [7511A87-500](#) [FLPV-SBC](#) [5151064802F](#) [5151-192-0055-0DF](#) [LPF-R011340S](#) [515-1166-801F](#) [FLPF-6.0](#) [PM4-C1522-3.70](#) [LC-11.25](#) [CLP-1214](#) [515-1064-808F](#) [FLX3_05](#) [515-1192-0025-0DF](#) [HS LC-H-D2/ R2XC1-2 54](#) [515-1192-80-3DF](#) [1282.2600](#) [1296.2004](#) [PBLP-1001-1](#) [SZ1-10.00-A220-F4P54](#) [SZ1-10.00-A220-F4P](#) [LC2-4.1](#) [1296.7042](#) [SF4-2.5-F5P](#) [PLP5-2-625-54](#) [FLP25-13.5](#) [1271.2002](#) [1272.0030](#) [1276.2004](#) [1281.1001-8MM](#) [1282.1300](#) [1296.1034](#) [1296.2022](#)