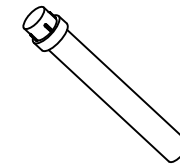
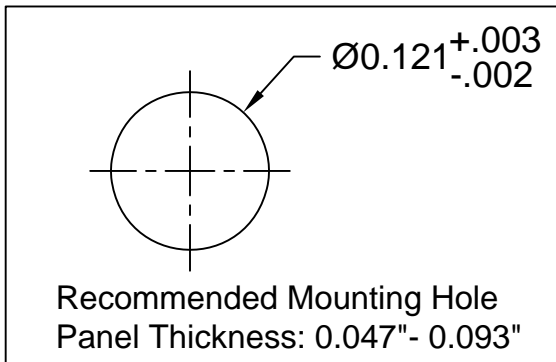
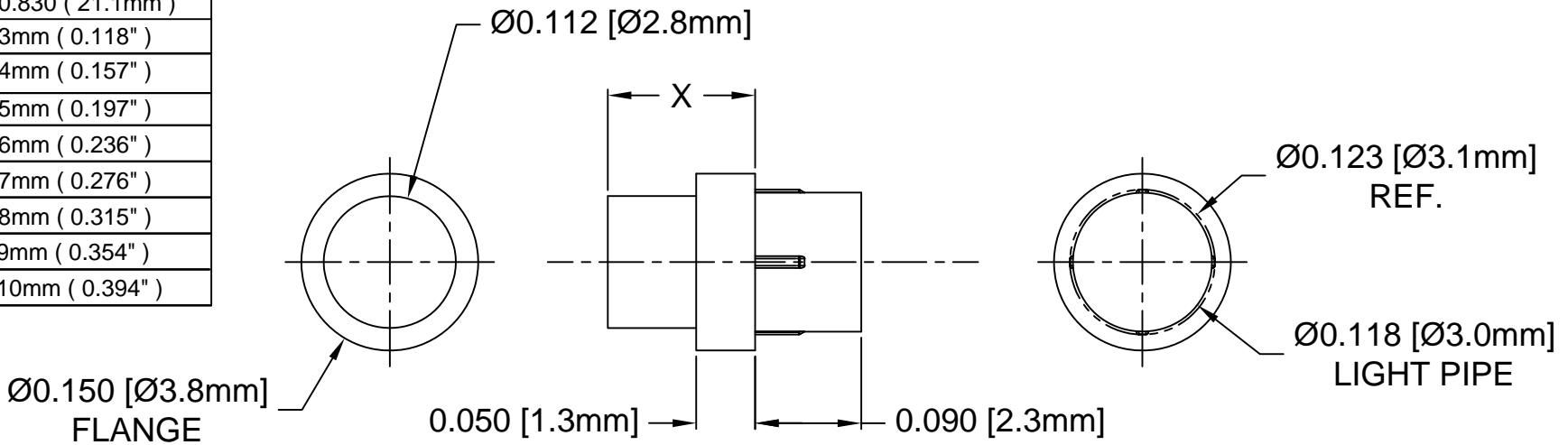


Part No.	X = Body Length
PLP1-100-F	0.100 ( 2.5mm )
PLP1-125-F	0.125 ( 3.2mm )
PLP1-188-F	0.188 ( 4.8mm )
PLP1-250-F	0.250 ( 6.4mm )
PLP1-313-F	0.313 ( 7.9mm )
PLP1-350-F	0.350 ( 8.9mm )
PLP1-375-F	0.375 ( 9.5mm )
PLP1-500-F	0.500 ( 12.7mm )
PLP1-625-F	0.625 ( 15.9mm )
PLP1-750-F	0.750 ( 19.0mm )
PLP1-830-F	0.830 ( 21.1mm )
PLP1-3MM-F	3mm ( 0.118" )
PLP1-4MM-F	4mm ( 0.157" )
PLP1-5MM-F	5mm ( 0.197" )
PLP1-6MM-F	6mm ( 0.236" )
PLP1-7MM-F	7mm ( 0.276" )
PLP1-8MM-F	8mm ( 0.315" )
PLP1-9MM-F	9mm ( 0.354" )
PLP1-10MM-F	10mm ( 0.394" )

REV.	DESCRIPTION	DATE	APPROVED
<b>L</b>	Updated General Specifications Note 1.	10/01/12	T. Y.
<b>M</b>	Added Panel Thickness.	05/01/15	J. C.
<b>N</b>	Added .188" and .313" Lengths To Offering List.	05/27/15	J. C.
<b>P</b>	Added Metric Lengths To Offering List.	07/15/15	J. C.
<b>R</b>	Added Color Options, Sheet #2.	02/02/16	J. C.



2. MATERIAL: POLYCARBONATE, 94V-0, CLEAR.

1. GENERAL SPECIFICATIONS: BIVAR MOLDED COMPONENT SPECIFICATION BV00-E101 and BSMC-1001.

STANDARD TOLERANCE ( UNLESS OTHERWISE SPECIFIED )		 4 THOMAS, IRVINE, CA. 92618 TEL: (949) 951-8808 FAX: (949) 951-3974	
DECIMALS	ANGULAR		
.X ± .1	X° ± 1°	 <b>TITLE:</b> PRESS-FIT, PANEL MOUNT, LIGHT PIPE, FLAT TOP	
.XX ± .01			
.XXX ± .005			
DESIGNED: <b>Michael Chen</b>	DATE: <b>01/16/02</b>	<b>PART NO:</b> PLP1-XXX-F	REVISION: <b>R</b>
CHECKED: <b>E. M. Muldoon</b>	DATE: <b>04/26/02</b>	<b>CAGE CODE :</b> 32559	<b>SHEET #</b> 1 OF 2
CAD GENERATED DOCUMENT. DO NOT MEASURE DRAWING.			

**OTHER AVAILABLE COLORS**

\* SEE TABLE FOR ORDERING INFORMATION


REV.	DESCRIPTION	DATE	APPROVED
	SEE SHEET #1		



COLOR	Order Code
BLUE	BE
BLACK	BK
GREEN	GN
GRAY	GY
RED	RD
YELLOW	YW

NOTE: LEAVE ORDER CODE BLANK IF NO COLOR IS DESIRED.

3. PARTS ARE DYED TO COLOR UPON REQUEST.

STANDARD TOLERANCE ( UNLESS OTHERWISE SPECIFIED ) DECIMALS                      ANGULAR		<b>BIVAR</b> <sup>®</sup> 4 THOMAS, IRVINE, CA. 92618 TEL: (949) 951-8808    FAX: (949) 951-3974	
			
DESIGNED: <b>K. Aukshunas</b>	DATE: <b>01/25/16</b>	<b>TITLE:</b> PRESS-FIT, PANEL MOUNT, LIGHT PIPE, FLAT TOP	<b>REVISION:</b> <b>R</b>
CHECKED: <b>J. Chiang</b>	DATE: <b>01/25/16</b>	<b>PART NO:</b> PLP1-XXX-F	<b>CAGE CODE :</b> 32559 <b>SHEET # 2 OF 2</b>
<small>CAD GENERATED DOCUMENT. DO NOT MEASURE DRAWING.</small>			

## X-ON Electronics

Largest Supplier of Electrical and Electronic Components

*Click to view similar products for [LED Light Pipes](#) category:*

*Click to view products by [Bivar](#) manufacturer:*

Other Similar products are found below :

[1367627-1](#) [SLP3-300-450-F](#) [SLP3-400-450-R](#) [LPA-C011301S-6](#) [LPF-C011306S](#) [FLP25-1.95](#) [VLP-640-F](#) [LPA-C011301S-5.4](#) [LPA-R051171S-12](#) [LPA-S011331S](#) [515-1027-803F](#) [515-1217F](#) [SLP3-150-300-R](#) [SLP3-500-450-R](#) [515-1064-810F](#) [FLPV-SG](#) [BDL-1187](#) [7511A41](#) [7511A87-500](#) [FLPV-SBC](#) [5151064802F](#) [5151-192-0055-0DF](#) [LPF-R011340S](#) [515-1166-801F](#) [FLPF-6.0](#) [PM4-C1522-3.70](#) [LC-11.25](#) [CLP-1214](#) [515-1064-808F](#) [FLX3\\_05](#) [515-1192-0025-0DF](#) [HS LC-H-D2/ R2XC1-2 54](#) [515-1192-80-3DF](#) [1282.2600](#) [1296.2004](#) [PBLP-1001-1](#) [SZ1-10.00-A220-F4P54](#) [SZ1-10.00-A220-F4P](#) [LC2-4.1](#) [1296.7042](#) [SF4-2.5-F5P](#) [PLP5-2-625-54](#) [FLP25-13.5](#) [1271.2002](#) [1272.0030](#) [1276.2004](#) [1281.1001-8MM](#) [1282.1300](#) [1296.1034](#) [1296.2022](#)