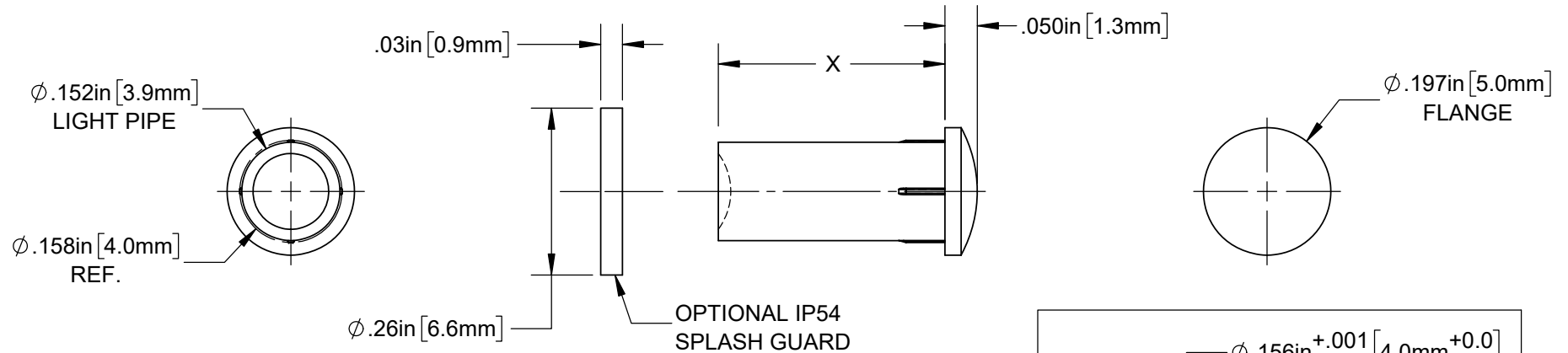


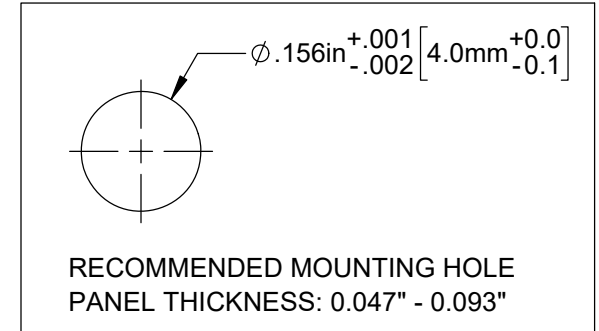
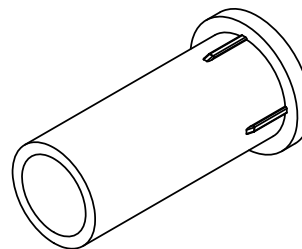
NOTES:

1. GENERAL SPECIFICATIONS: BIVAR MOLDED COMPONENT SPECIFICATIONS: BV00-E101.
2. MATERIAL: POLYCARBONATE, UL94V-0, CLEAR.
3. SPLASH GUARD AND LIGHT PIPE SHIPPED NON-ASSEMBLED.
4. ASSEMBLY INSTRUCTIONS TO ACHIEVE OPTIMUM FUNCTION OF SPLASH GUARD:
 - CLEAN FLANGE OF BRAND NEW LIGHT PIPE AND PANEL SURFACE AROUND MOUNTING HOLE WITH ALCOHOL
 - PEEL LINER OFF TOP OF THE SPLASH GUARD WHILE KEEPING SPLASH GUARD ON PLASTIC ROLL
 - APPLY SPLASH GUARD TO PANEL HOLE AS CENTERED AS POSSIBLE AND PEEL PLASTIC LINER SLOWLY AWAY
 - INSERT LIGHT PIPE INTO PANEL UNTIL SPLASH GUARD MATERIAL IS COMPRESSED BETWEEN LENS AND PANEL
 - HOLD FOR A FEW SECONDS TO ENSURE ENTIRE SPLASH GUARD ADHERES TO PANEL AND LENS FLANGE SURFACE

REVISIONS			
REV.	DESCRIPTION	DATE	APPROVED
L	Added Color Options, Sheet #2	1/22/2016	J.C.
M	Updated Color Options	7/6/2018	G.O.
N	Added IP54 Configuration Option	8/20/2020	A.V.



PART NUMBER	IP54 OPTION PART NUMBER	X = BODY LENGTH
PLP5-2-125	PLP5-2-125-54	0.125 (3.2mm)
PLP5-2-250	PLP5-2-250-54	0.250 (6.4mm)
PLP5-2-350	PLP5-2-350-54	0.350 (8.9mm)
PLP5-2-375	PLP5-2-375-54	0.375 (9.5mm)
PLP5-2-500	PLP5-2-500-54	0.500 (12.7mm)
PLP5-2-625	PLP5-2-625-54	0.625 (15.9mm)
PLP5-2-750	PLP5-2-750-54	0.750 (19.0mm)
PLP5-2-1000	PLP5-2-1000-54	1.000 (25.4mm)
PLP5-2-1250	PLP5-2-1250-54	1.250 (31.8mm)
PLP5-2-1500	PLP5-2-1500-54	1.500 (38.1mm)



CUSTOMER USE DRAWING

SEE SHEET 2 FOR COLOR AND IP RATED OPTIONS

STANDARD TOLERANCE (UNLESS OTHERWISE SPECIFIED)		 4 THOMAS, IRVINE, CA. 92618 TEL: (949) 951-8808 FAX: (949) 951-3974	
DECIMALS	ANGULAR		
.X ± .1	X° ± 1°	TITLE: PRESS-FIT, PANEL MOUNT LIGHT PIPE, LOW PROFILE ROUND, 5mm PART NO: PLP5-2-XXX REVISION: N	
.XX ± .01			
.XXX ± .005			
DESIGNED: M. CHEN	DATE: 3/5/2003	SHEET SIZE: A	CAGE CODE: 32559
REVISOR: K. BARON	DATE: 8/20/2020		
CHECKED: A. VALDEZ	DATE: 8/20/2020	SCALE: 4:1	SHEET # 1 OF 2

OTHER AVAILABLE COLORS

*SEE TABLE FOR ORDERING INFORMATION

AVAILABLE COLOR OPTIONS

PLP5 - 2 - _____ [] XX

RIGID LIGHT PIPE SERIES

LENGTH

PART NUMBER	BODY LENGTH
PLP5-2-100	0.100" (2.5mm)
PLP5-2-125	0.125" (3.2mm)
PLP5-2-2.5mm	2.5mm (0.100")
PLP5-2-3mm	3mm (0.118")

IP RATING

IP RATING	CODE
IP54	54

COLOR

COLOR	ORDER CODE
TINTED BLUE	BE
TINTED GREEN	GN
TINTED RED	RD
TINTED YELLOW	YW

PLP5 - 2 - _____ - [] XX

RIGID LIGHT PIPE SERIES

LENGTH

PART NUMBER	BODY LENGTH
PLP5-2-100	0.100" (2.5mm)
PLP5-2-125	0.125" (3.2mm)
PLP5-2-2.5mm	2.5mm (0.100")
PLP5-2-3mm	3mm (0.118")

IP RATING

IP RATING	CODE
IP54	54

COLOR

COLOR	ORDER CODE
DIFFUSED	D
SMOKED	S

SAMPLE PART NUMBER

PLP5-2-125-D54

0.125" LENGTH

IP54 RATING

DIFFUSED

CUSTOMER USE DRAWING

		BIVAR[®]	
CAGE CODE:	32559	DRAWING NO: PLP5-2-XXX	REVISION: N
SHEET SIZE:	A	SCALE: 4:1	SHEET # 2 OF 2
<small>CAD GENERATED DOCUMENT, DO NOT MEASURE DRAWING</small>			

X-ON Electronics

Largest Supplier of Electrical and Electronic Components

Click to view similar products for [LED Light Pipes](#) category:

Click to view products by [Bivar](#) manufacturer:

Other Similar products are found below :

[1367627-1](#) [SLP3-300-450-F](#) [SLP3-400-450-R](#) [LPA-C011301S-6](#) [LPF-C011306S](#) [FLP25-1.95](#) [VLP-640-F](#) [LPA-C011301S-5.4](#) [LPA-R051171S-12](#) [LPA-S011331S](#) [515-1027-803F](#) [515-1217F](#) [SLP3-150-300-R](#) [SLP3-500-450-R](#) [515-1064-810F](#) [FLPV-SG](#) [BDL-1187](#) [7511A41](#) [7511A87-500](#) [FLPV-SBC](#) [5151064802F](#) [5151-192-0055-0DF](#) [LPF-R011340S](#) [515-1166-801F](#) [FLPF-6.0](#) [PM4-C1522-3.70](#) [LC-11.25](#) [CLP-1214](#) [515-1064-808F](#) [FLX3_05](#) [515-1192-0025-0DF](#) [HS LC-H-D2/ R2XC1-2 54](#) [515-1192-80-3DF](#) [1282.2600](#) [1296.2004](#) [PBLP-1001-1](#) [SZ1-10.00-A220-F4P54](#) [LC2-4.1](#) [1296.7042](#) [SF4-2.5-F5P](#) [PLP5-2-625-54](#) [FLP25-13.5](#) [1271.2002](#) [1272.0030](#) [1281.1001-8MM](#) [1282.1300](#) [1296.1034](#) [1296.2022](#) [1296.2054](#) [1296.3004](#)