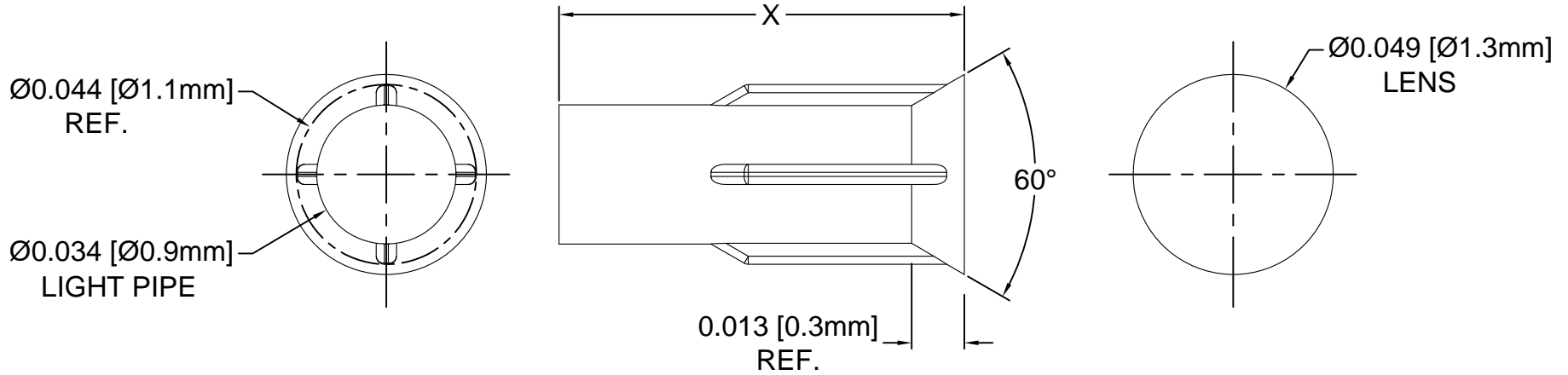
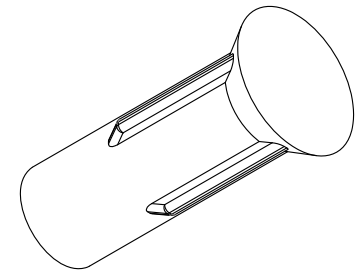
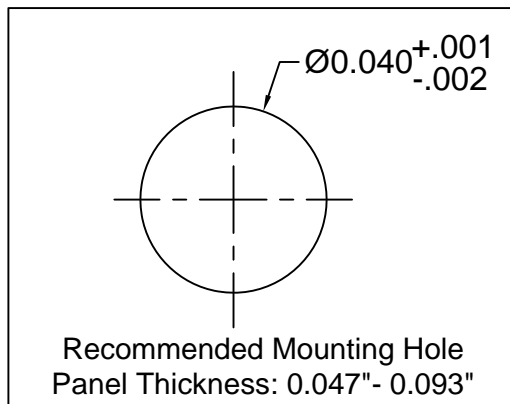


REV.	DESCRIPTION	DATE	APPROVED
B	Engineering Release	07/15/15	J. C.
C	Added Color Options, Sheet #2	01/25/16	J. C.



Part No.	X = Body Length
PLPC1-100	0.100 (2.5mm)
PLPC1-125	0.125 (3.2mm)
PLPC1-188	0.188 (4.8mm)
PLPC1-250	0.250 (6.4mm)
PLPC1-313	0.313 (7.9mm)
PLPC1-375	0.375 (9.5mm)
PLPC1-500	0.500 (12.7mm)
PLPC1-3MM	3mm (0.118")
PLPC1-4MM	4mm (0.157")
PLPC1-5MM	5mm (0.197")
PLPC1-6MM	6mm (0.236")
PLPC1-7MM	7mm (0.276")
PLPC1-8MM	8mm (0.315")
PLPC1-9MM	9mm (0.354")
PLPC1-10MM	10mm (0.394")



STANDARD TOLERANCE (UNLESS OTHERWISE SPECIFIED)		BIVAR®	
DECIMALS	ANGULAR	4 THOMAS, IRVINE, CA. 92618	
.X ± .1	X° ± 1°	TEL: (949) 951-8808 FAX: (949) 951-3974	
.XX ± .01		TITLE: PRESS-FIT, PANEL MOUNT LIGHT PIPE, FLUSH, 1mm	
.XXX ± .005		PART NO: PLPC1-XXX	
DESIGNED: A. Wright	DATE: 04/24/15	REVISION: C	
CHECKED: B. Oliver	DATE: 04/24/15	CAGE CODE : 32559 SHEET # 1 OF 2	
CAD GENERATED DOCUMENT, DO NOT MEASURE DRAWING.			

2. MATERIAL: POLYCARBONATE, 94V-0, CLEAR.
1. GENERAL SPECIFICATIONS: BIVAR MOLDED COMPONENT SPECIFICATION BV00-E101 and BSMC-1001.

OTHER AVAILABLE COLORS

* SEE TABLE FOR ORDERING INFORMATION

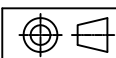
REV.	DESCRIPTION	DATE	APPROVED
	SEE SHEET #1		



COLOR	Order Code
BLUE	BE
BLACK	BK
GREEN	GN
GRAY	GY
RED	RD
YELLOW	YW

NOTE: LEAVE ORDER CODE BLANK IF NO COLOR IS DESIRED.

3. PARTS ARE DYED TO COLOR UPON REQUEST.

STANDARD TOLERANCE (UNLESS OTHERWISE SPECIFIED) DECIMALS ANGULAR		BIVAR [®] 4 THOMAS, IRVINE, CA. 92618 TEL: (949) 951-8808 FAX: (949) 951-3974	
			
DESIGNED: K. Aukshunas	DATE: 01/25/16	TITLE: PRESS-FIT, PANEL MOUNT, LIGHT PIPE, FLUSH, 1mm	REVISION: C
CHECKED: J. Chiang	DATE: 01/25/16	PART NO: PLPC1-XXX	SHEET # 2 OF 2
<small>CAGE CODE : 32559 SHEET # 2 OF 2</small>			
<small>CAD GENERATED DOCUMENT. DO NOT MEASURE DRAWING.</small>			

X-ON Electronics

Largest Supplier of Electrical and Electronic Components

Click to view similar products for [LED Light Pipes](#) category:

Click to view products by [Bivar](#) manufacturer:

Other Similar products are found below :

[1367627-1](#) [SLP3-300-450-F](#) [SLP3-400-450-R](#) [LPA-C011301S-6](#) [LPF-C011306S](#) [FLP25-1.95](#) [VLP-640-F](#) [LPA-C011301S-5.4](#) [LPA-R051171S-12](#) [LPA-S011331S](#) [515-1027-803F](#) [515-1217F](#) [SLP3-150-300-R](#) [SLP3-500-450-R](#) [515-1064-810F](#) [FLPV-SG](#) [BDL-1187](#) [7511A41](#) [7511A87-500](#) [FLPV-SBC](#) [5151064802F](#) [5151-192-0055-0DF](#) [LPF-R011340S](#) [515-1166-801F](#) [FLPF-6.0](#) [PM4-C1522-3.70](#) [LC-11.25](#) [CLP-1214](#) [515-1064-808F](#) [FLX3_05](#) [515-1192-0025-0DF](#) [HS LC-H-D2/ R2XC1-2 54](#) [515-1192-80-3DF](#) [1282.2600](#) [1296.2004](#) [PBLP-1001-1](#) [SZ1-10.00-A220-F4P54](#) [SZ1-10.00-A220-F4P](#) [LC2-4.1](#) [1296.7042](#) [SF4-2.5-F5P](#) [PLP5-2-625-54](#) [FLP25-13.5](#) [1271.2002](#) [1272.0030](#) [1276.2004](#) [1281.1001-8MM](#) [1282.1300](#) [1296.1034](#) [1296.2022](#)