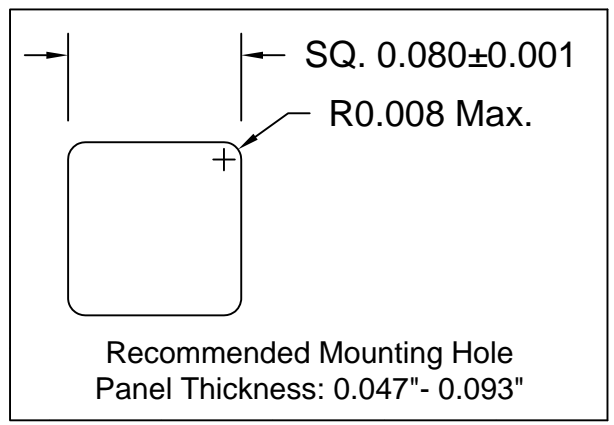
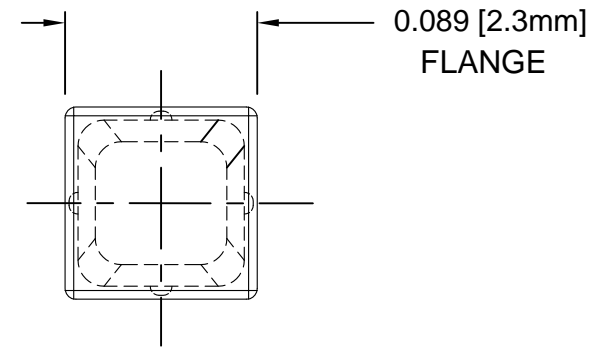
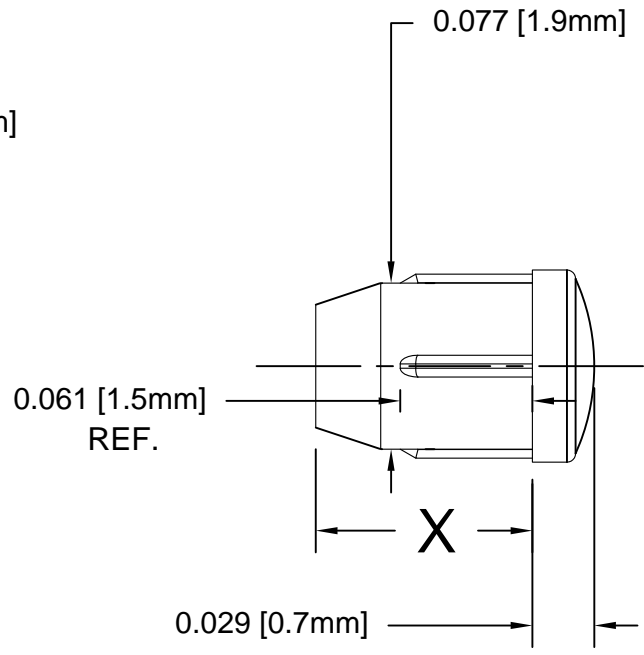
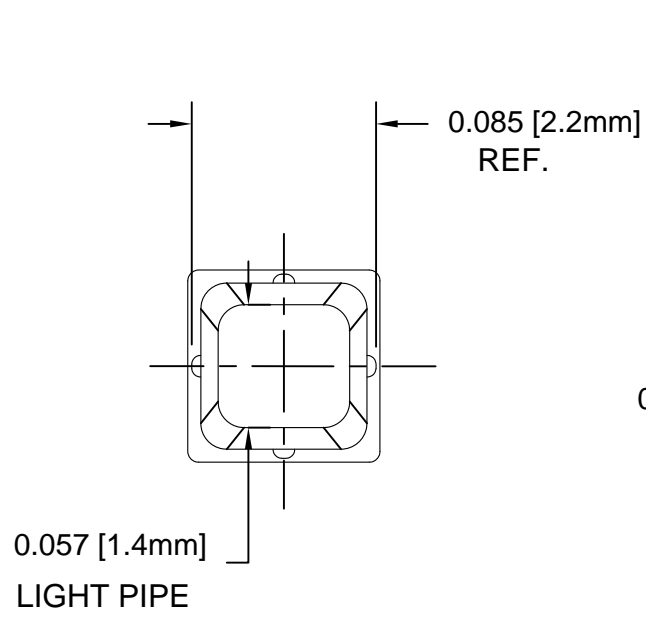
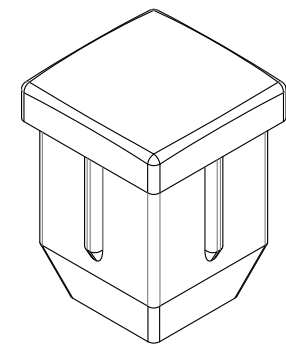




REV.	DESCRIPTION	DATE	APPROVED
A	Engineering Release	07/31/15	J. C.
B	Added Color Options, Sheet #2	01/25/16	J. C.



Part No.	X = Body Length
PLPQ2-100	0.100 (2.5mm)
PLPQ2-125	0.125 (3.2mm)
PLPQ2-188	0.188 (4.8mm)
PLPQ2-250	0.250 (6.4mm)
PLPQ2-313	0.313 (7.9mm)
PLPQ2-375	0.375 (9.5mm)
PLPQ2-500	0.500 (12.7mm)
PLPQ2-3MM	3mm (0.118")
PLPQ2-4MM	4mm (0.157")
PLPQ2-5MM	5mm (0.197")
PLPQ2-6MM	6mm (0.236")
PLPQ2-7MM	7mm (0.276")
PLPQ2-8MM	8mm (0.315")
PLPQ2-9MM	9mm (0.354")
PLPQ2-10MM	10mm (0.394")



- 2. MATERIAL: POLYCARBONATE, 94V-0, CLEAR
- 1. GENERAL SPECIFICATIONS: BIVAR MOLDED COMPONENT SPECIFICATION BV00-E101 and BSMC-1001.

STANDARD TOLERANCE (UNLESS OTHERWISE SPECIFIED)		 4 THOMAS, IRVINE, CA. 92618 TEL: (949) 951-8808 FAX: (949) 951-3974		
.X ± .1	ANGULAR X° ± 1°			
.XX ± .01		TITLE: SQUARE LIGHT PIPE, LOW PROFILE, 2mm, FRONT MOUNT		
.XXX ± .005		DESIGNED: Brian Oliver	DATE: 04/24/15	PART NO: PLPQ2-XXX
CHECKED: Alex Wright		DATE: 04/24/15	CAGE CODE : 32559	SHEET # 1 OF 2
CAD GENERATED DOCUMENT. DO NOT MEASURE DRAWING.				

OTHER AVAILABLE COLORS

* SEE TABLE FOR ORDERING INFORMATION

REV.	DESCRIPTION	DATE	APPROVED
	SEE SHEET #1		



COLOR	Order Code
BLUE	BE
BLACK	BK
GREEN	GN
GRAY	GY
RED	RD
YELLOW	YW

NOTE: LEAVE ORDER CODE BLANK IF NO COLOR IS DESIRED.

3. PARTS ARE DYED TO COLOR UPON REQUEST.

STANDARD TOLERANCE (UNLESS OTHERWISE SPECIFIED) DECIMALS ANGULAR		BIVAR [®] 4 THOMAS, IRVINE, CA. 92618 TEL: (949) 951-8808 FAX: (949) 951-3974	
DESIGNED: K. Aukshunas	DATE: 01/25/16	TITLE: SQUARE LIGHT PIPE, LOW PROFILE, 2mm, FRONT MOUNT	REVISION: B
CHECKED: J. Chiang	DATE: 01/25/16	PART NO: PLPQ2-XXX	CAGE CODE : 32559 SHEET # 2 OF 2
<small>CAD GENERATED DOCUMENT. DO NOT MEASURE DRAWING.</small>			

X-ON Electronics

Largest Supplier of Electrical and Electronic Components

Click to view similar products for [LED Light Pipes](#) category:

Click to view products by [Bivar](#) manufacturer:

Other Similar products are found below :

[1367627-1](#) [SLP3-300-450-F](#) [SLP3-400-450-R](#) [LPA-C011301S-6](#) [LPF-C011306S](#) [FLP25-1.95](#) [VLP-640-F](#) [LPA-C011301S-5.4](#) [LPA-R051171S-12](#) [LPA-S011331S](#) [515-1027-803F](#) [515-1217F](#) [SLP3-150-300-R](#) [SLP3-500-450-R](#) [515-1064-810F](#) [FLPV-SG](#) [BDL-1187](#)
[7511A41](#) [7511A87-500](#) [FLPV-SBC](#) [5151064802F](#) [5151-192-0055-0DF](#) [LPF-R011340S](#) [515-1166-801F](#) [FLPF-6.0](#) [SLP3-350-200-F](#) [PM4-C1522-3.70](#) [LC-11.25](#) [CLP-1214](#) [515-1064-808F](#) [FLX3_05](#) [515-1192-0025-0DF](#) [HS LC-H-D2/ R2XC1-2 54](#) [515-1192-80-3DF](#) [1282.2600](#)
[1296.2004](#) [PBLP-1001-1](#) [SZ1-10.00-A220-F4P54](#) [LC2-4.1](#) [1296.7042](#) [SF4-2.5-F5P](#) [PLP5-2-625-54](#) [FLP25-13.5](#) [1330.1001](#) [1330.1002](#)
[1330.1004](#) [1330.1006](#) [1330.1007](#) [1330.1008](#) [1271.2002](#)