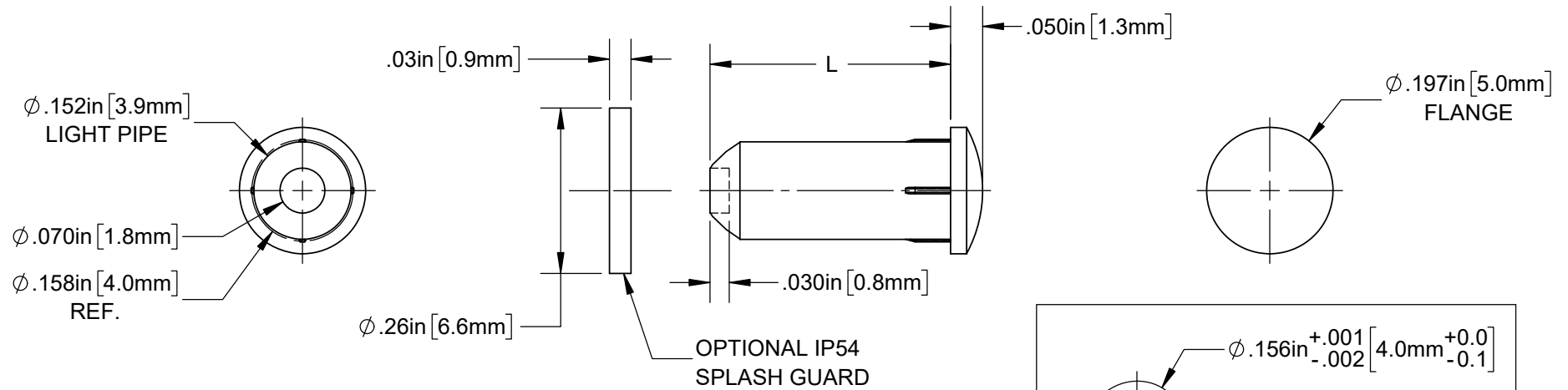


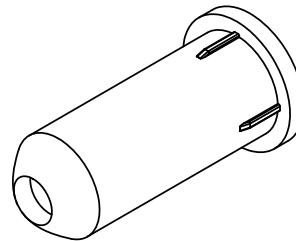
NOTES:

- GENERAL SPECIFICATIONS: BIVAR MOLDED COMPONENT SPECIFICATIONS: BV00-E101.
- MATERIAL: POLYCARBONATE, UL94V-0, CLEAR.
- SPLASH GUARD AND LIGHT PIPE SHIPPED NON-ASSEMBLED.
- ASSEMBLY INSTRUCTIONS TO ACHIEVE OPTIMUM FUNCTION OF SPLASH GUARD:
  - CLEAN FLANGE OF BRAND NEW LIGHT PIPE AND PANEL SURFACE AROUND MOUNTING HOLE WITH ALCOHOL
  - PEEL LINER OFF TOP OF THE SPLASH GUARD WHILE KEEPING SPLASH GUARD ON PLASTIC ROLL
  - APPLY SPLASH GUARD TO PANEL HOLE AS CENTERED AS POSSIBLE AND PEEL PLASTIC LINER SLOWLY AWAY
  - INSERT LIGHT PIPE INTO PANEL UNTIL SPLASH GUARD MATERIAL IS COMPRESSED BETWEEN LENS AND PANEL
  - HOLD FOR A FEW SECONDS TO ENSURE ENTIRE SPLASH GUARD ADHERES TO PANEL AND LENS FLANGE SURFACE

REVISIONS			
REV.	DESCRIPTION	DATE	APPROVED
A	Engineering Release	7/15/2015	J.C.
B	Added Color Options, See Sheet #2	1/25/2016	J.C.
C	Revised Color Table	7/2/2018	G.O.
D	Added IP54 Configuration Option	8/21/2019	A.V.



PART NUMBER	IP54 OPTION PART NUMBER	X = BODY LENGTH
PLW5-125	PLW5-125-54	0.125 (3.2mm)
PLW5-188	PLW5-188-54	0.188 (4.8mm)
PLW5-250	PLW5-250-54	0.250 (6.4mm)
PLW5-313	PLW5-313-54	0.313 (7.9mm)
PLW5-375	PLW5-375-54	0.375 (9.5mm)
PLW5-500	PLW5-500-54	0.500 (12.7mm)
PLW5-3mm	PLW5-3mm-54	3mm (0.118")
PLW5-4mm	PLW5-4mm-54	4mm (0.157")
PLW5-5mm	PLW5-5mm-54	5mm (0.197")
PLW5-6mm	PLW5-6mm-54	6mm (0.236")
PLW5-7mm	PLW5-7mm-54	7mm (0.276")
PLW5-8mm	PLW5-8mm-54	8mm (0.315")
PLW5-9mm	PLW5-9mm-54	9mm (0.354")
PLW5-10mm	PLW5-10mm-54	10mm (0.394")



**CUSTOMER USE DRAWING**

SEE SHEET 2 FOR COLOR AND IP RATED OPTIONS

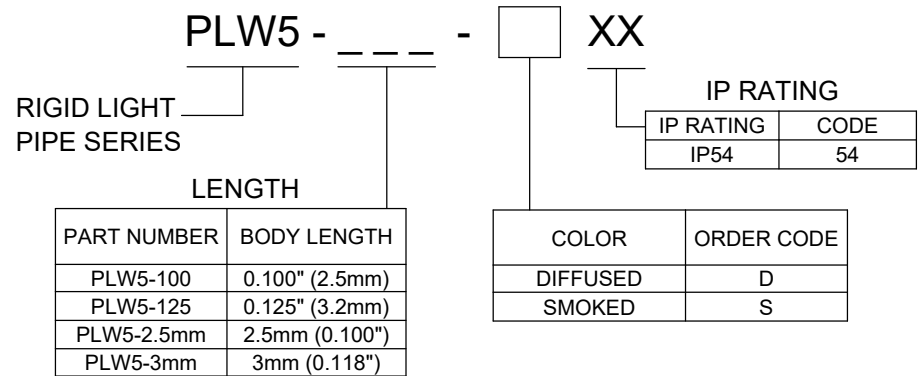
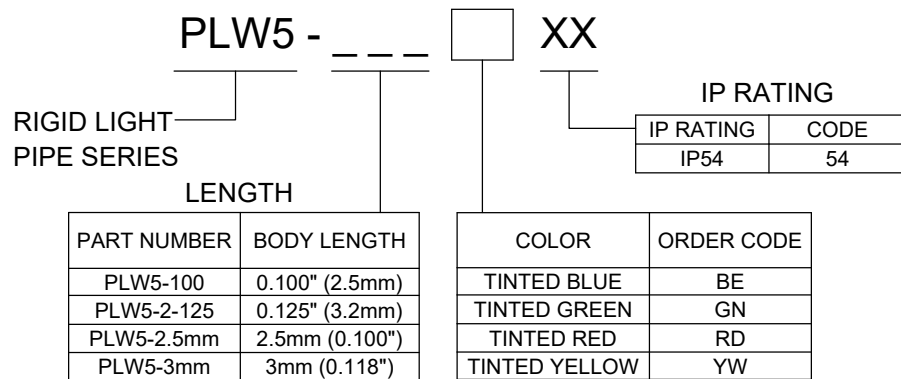
STANDARD TOLERANCE (UNLESS OTHERWISE SPECIFIED)		 4 THOMAS, IRVINE, CA. 92618 TEL: (949) 951-8808 FAX: (949) 951-3974	
DECIMALS	ANGULAR		
.X ± .1	X° ± 1°	<b>TITLE:</b> WIDE CAPTURE LIGHT PIPE, 5mm LOW PROFILE ROUND	
.XX ± .01			
.XXX ± .005			
DESIGNED:	DATE:	<b>DRAWING NO:</b>	REVISION:
B. OLIVER	4/24/2015	PLW5-XXX	D
REVISION:	DATE:	<b>SHEET SIZE</b>	<b>CAGE CODE:</b>
K. BARON	8/21/2019	A	32559
CHECKED:	DATE:	<b>SCALE:</b>	<b>SHEET #</b>
A. VALDEZ	8/21/2019	4:1	1 OF 2

CAD GENERATED DOCUMENT, DO NOT MEASURE DRAWING

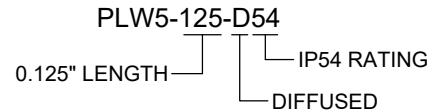
# OTHER AVAILABLE COLORS

\*SEE TABLE FOR ORDERING INFORMATION

## AVAILABLE COLOR OPTIONS



### SAMPLE PART NUMBER



**CUSTOMER USE DRAWING**

		<b>BIVAR</b> <sup>®</sup>	
<b>CAGE CODE:</b>	<b>32559</b>	<b>DRAWING NO:</b> PLW5-XXX	<b>REVISION:</b> D
<b>SHEET SIZE:</b>	<b>A</b>	SCALE: 4:1	<b>SHEET # 2 OF 2</b>
<small>CAD GENERATED DOCUMENT, DO NOT MEASURE DRAWING</small>			

## X-ON Electronics

Largest Supplier of Electrical and Electronic Components

*Click to view similar products for [LED Light Pipes](#) category:*

*Click to view products by [Bivar](#) manufacturer:*

Other Similar products are found below :

[1367627-1](#) [SLP3-300-450-F](#) [SLP3-400-450-R](#) [LPA-C011301S-6](#) [LPF-C011306S](#) [FLP25-1.95](#) [VLP-640-F](#) [LPA-C011301S-5.4](#) [LPA-R051171S-12](#) [LPA-S011331S](#) [515-1027-803F](#) [515-1217F](#) [SLP3-150-300-R](#) [SLP3-500-450-R](#) [515-1064-810F](#) [FLPV-SG](#) [BDL-1187](#) [7511A41](#) [7511A87-500](#) [FLPV-SBC](#) [5151064802F](#) [5151-192-0055-0DF](#) [LPF-R011340S](#) [515-1166-801F](#) [FLPF-6.0](#) [PM4-C1522-3.70](#) [LC-11.25](#) [CLP-1214](#) [515-1064-808F](#) [FLX3\\_05](#) [515-1192-0025-0DF](#) [HS LC-H-D2/ R2XC1-2 54](#) [515-1192-80-3DF](#) [1282.2600](#) [1296.2004](#) [PBLP-1001-1](#) [SZ1-10.00-A220-F4P54](#) [SZ1-10.00-A220-F4P](#) [LC2-4.1](#) [1296.7042](#) [SF4-2.5-F5P](#) [PLP5-2-625-54](#) [FLP25-13.5](#) [1271.2002](#) [1272.0030](#) [1276.2004](#) [1281.1001-8MM](#) [1282.1300](#) [1296.1034](#) [1296.2022](#)