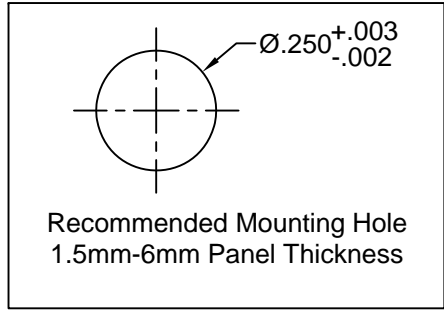
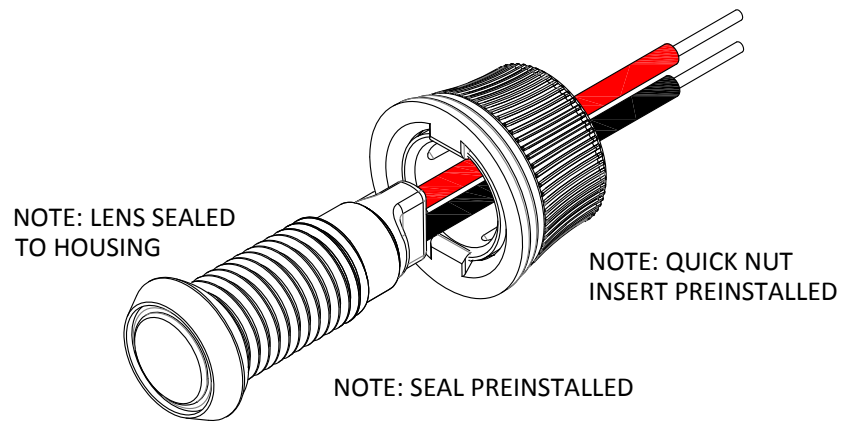
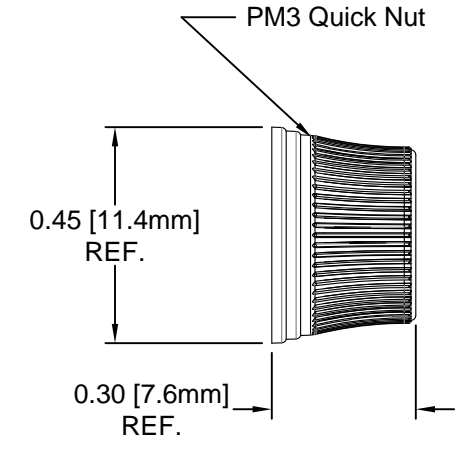
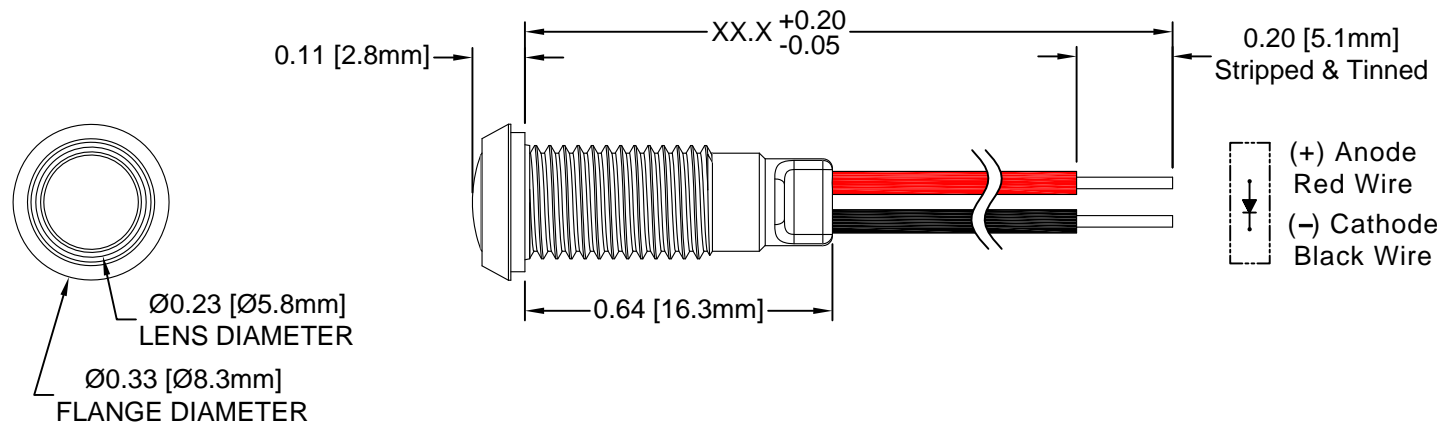


REV.	DESCRIPTION	DATE	APPROVED
A	Engineering Release	03/17/14	J. C.
B	Updated LED Optical Characteristics	09/15/15	J. C.



EXAMPLE:
PM3-KNGDW6.5

Wire Length in
0.5" Increments

LED Color

Series

NOTES:
1. ROHS COMPLIANT
2. MOUNTING HARDWARE SHIPPED NON-ASSEMBLED

STANDARD TOLERANCE (UNLESS OTHERWISE SPECIFIED)		 4 THOMAS, IRVINE, CA. 92618 TEL: (949) 951-8808 FAX: (949) 951-3974	
DECIMALS	ANGULAR		
.X ± .1	X° ± 1°		TITLE: Quick-Mount Panel Mount Indicator w/ Wire
.XX ± .02			
.XXX ± .010		DESIGNED: Brian Oliver CHECKED: T. Yin	DATE: 03/17/14 DATE: 03/17/14
		PART NO: PM3-KNXXXWXX.X CAGE CODE : 32559	REVISION: B SHEET # 1 OF 2
CAD GENERATED DOCUMENT. DO NOT MEASURE DRAWING.			


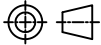
REV.	DESCRIPTION	DATE	APPROVED
	SEE SHEET #1		

Assembly Part Number	LED Part Number	Peak Wave Length λ_p (nm)	Emitted Color	Electro-Optical Data @ 20mA		Viewing Angle
				Typ Vf (VDC)	Assembly Iv (mcd)	
				TYP	TYP	
PM3-KNADWXX.X	3SAD-S	610	AMBER	2.0	45	120
PM3-KNBWDWXX.X	3BWD0.245-S	470	BLUE	4.0	90	120
PM3-KNGDWXX.X	3SGD-S	568	GREEN	2.1	14	120
PM3-KNRDWXX.X	3SRD-S	645	RED	1.7	18	120
PM3-KNYDWXX.X	3SYD-S	585	YELLOW	2.1	14	120

Assembly Part Number	LED Part Number	Color Temperature	Emitted Color	Electro-Optical Data @ 20mA		Viewing Angle
				Vf (VDC)	Assembly Iv (mcd)	
				TYP	TYP	
PM3-KNWDWXX.X	3UWD2.555N	5000K	NEUTRAL WHITE	3.2	1500	120

ABSOLUTE MAXIMUM RATINGS (Ta = 25°C)

MAXIMUM REVERSE VOLTAGE _____ 5V
 MAXIMUM POWER DISSIPATION _____ 150 mW
 OPERATING TEMPERATURE RANGE _____ -30°C ~ 85°C
 STORAGE TEMPERATURE _____ -40°C ~ 85°C

STANDARD TOLERANCE (UNLESS OTHERWISE SPECIFIED) DECIMALS ANGULAR		 4 THOMAS, IRVINE, CA. 92618 TEL: (949) 951-8808 FAX: (949) 951-3974	
			
DESIGNED: Brian Oliver	DATE: 03/17/14	PART NO: PM3-KNXXXWXX.X	REVISION: B
CHECKED: T. Yin	DATE: 03/17/14	CAGE CODE : 32559	SHEET # 2 OF 2
CAD GENERATED DOCUMENT. DO NOT MEASURE DRAWING.			

X-ON Electronics

Largest Supplier of Electrical and Electronic Components

Click to view similar products for [LED Panel Mount Indicators](#) category:

Click to view products by [Bivar](#) manufacturer:

Other Similar products are found below :

[Bivar](#)