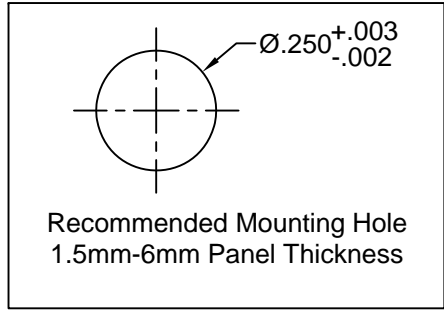
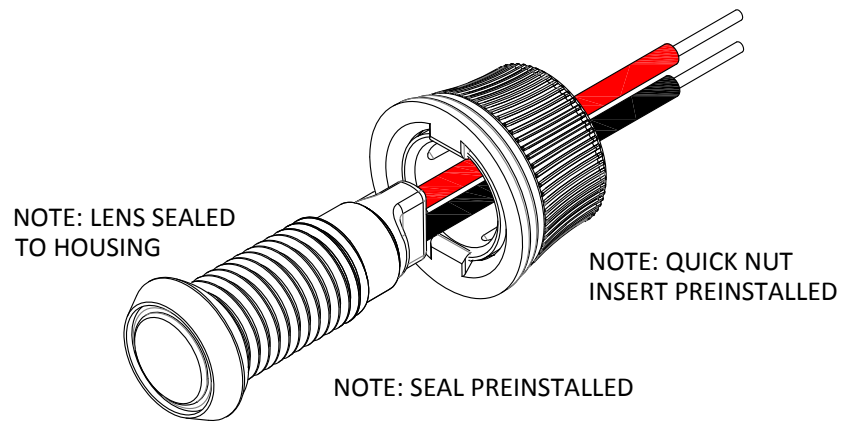
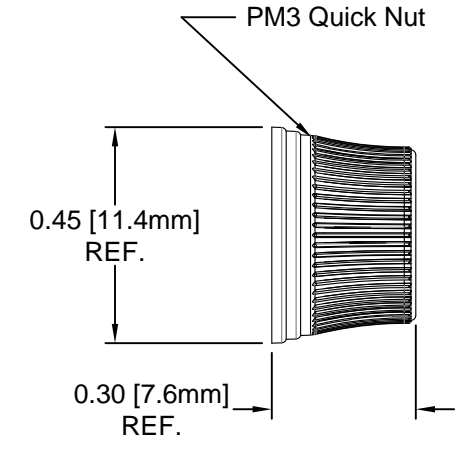
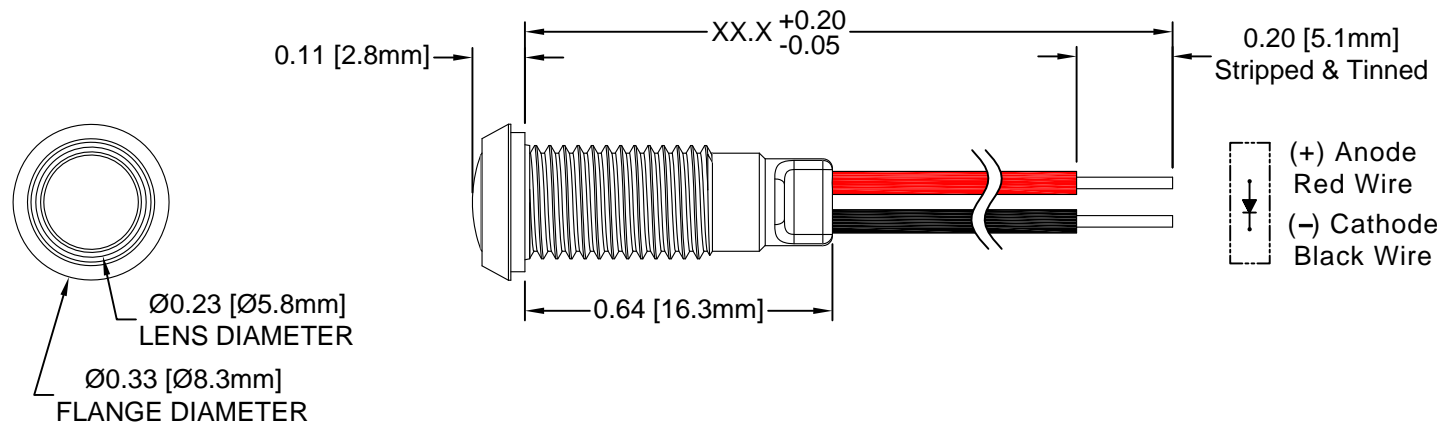


REV.	DESCRIPTION	DATE	APPROVED
A	Engineering Release	03/17/14	J. C.
B	Updated LED Optical Characteristics	09/15/15	J. C.



EXAMPLE:  
**PM3-KNGDW6.5**  
 Wire Length in 0.5" Increments  
 LED Color  
 Series

NOTES:  
 1. ROHS COMPLIANT  
 2. MOUNTING HARDWARE SHIPPED NON-ASSEMBLED

STANDARD TOLERANCE (UNLESS OTHERWISE SPECIFIED)		 4 THOMAS, IRVINE, CA. 92618 TEL: (949) 951-8808 FAX: (949) 951-3974	
DECIMALS	ANGULAR		
.X ± .1	X° ± 1°		<b>TITLE:</b> Quick-Mount Panel Mount Indicator w/ Wire
.XX ± .02			
.XXX ± .010		<b>DESIGNED:</b> Brian Oliver <b>CHECKED:</b> T. Yin	<b>DATE:</b> 03/17/14 <b>DATE:</b> 03/17/14
		<b>PART NO:</b> PM3-KNXXXWXX.X <b>CAGE CODE :</b> 32559	<b>REVISION:</b> B <b>SHEET #</b> 1 OF 2
CAD GENERATED DOCUMENT. DO NOT MEASURE DRAWING.			


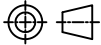
REV.	DESCRIPTION	DATE	APPROVED
	SEE SHEET #1		

Assembly Part Number	LED Part Number	Peak Wave Length $\lambda_p$ (nm)	Emitted Color	Electro-Optical Data @ 20mA		Viewing Angle
				Typ Vf (VDC)	Assembly Iv (mcd)	
				TYP	TYP	
PM3-KNADWXX.X	3SAD-S	610	AMBER	2.0	45	120
PM3-KNBWDWXX.X	3BWD0.245-S	470	BLUE	4.0	90	120
PM3-KNGDWXX.X	3SGD-S	568	GREEN	2.1	14	120
PM3-KNRDWXX.X	3SRD-S	645	RED	1.7	18	120
PM3-KNYDWXX.X	3SYD-S	585	YELLOW	2.1	14	120

Assembly Part Number	LED Part Number	Color Temperature	Emitted Color	Electro-Optical Data @ 20mA		Viewing Angle
				Vf (VDC)	Assembly Iv (mcd)	
				TYP	TYP	
PM3-KNWDWXX.X	3UWD2.555N	5000K	NEUTRAL WHITE	3.2	1500	120

## ABSOLUTE MAXIMUM RATINGS (Ta = 25°C)

MAXIMUM REVERSE VOLTAGE \_\_\_\_\_ 5V  
 MAXIMUM POWER DISSIPATION \_\_\_\_\_ 150 mW  
 OPERATING TEMPERATURE RANGE \_\_\_\_\_ -30°C ~ 85°C  
 STORAGE TEMPERATURE \_\_\_\_\_ -40°C ~ 85°C

STANDARD TOLERANCE (UNLESS OTHERWISE SPECIFIED) DECIMALS                      ANGULAR		 4 THOMAS, IRVINE, CA. 92618 TEL: (949) 951-8808    FAX: (949) 951-3974	
			
DESIGNED: <b>Brian Oliver</b>	DATE: <b>03/17/14</b>	<b>TITLE:</b> Quick-Mount Panel Mount Indicator w/ Wire	
CHECKED: <b>T. Yin</b>	DATE: <b>03/17/14</b>	<b>PART NO:</b> PM3-KNXXXWXX.X	<b>REVISION:</b> B
		<b>CAGE CODE :</b> 32559	<b>SHEET #</b> 2 OF 2
CAD GENERATED DOCUMENT. DO NOT MEASURE DRAWING.			

## X-ON Electronics

Largest Supplier of Electrical and Electronic Components

*Click to view similar products for [LED Panel Mount Indicators](#) category:*

*Click to view products by [Bivar](#) manufacturer:*

Other Similar products are found below :

[607-3232-140F](#) [821-0331-503](#) [FL2870C8R](#) [FL2950WL7B](#) [FL2950WL8G](#) [FL589WL8R](#) [FL67C8R](#) [H8630FBBA3](#) [NL177WL2A](#)  
[NL177WL3G](#) [NL276C2A](#) [NL2950BWL3G](#) [NL589WL2R](#) [NL67C2C](#) [NL67C3R](#) [C480AABG3](#) [PB22BM41K](#) [PB22SIM40Y](#)  
[PB22SKRS31KC](#) [L32R-R2-2311](#) [L3353-MWRG](#) [L39UR-R24-2111](#) [L58D-G2-W](#) [L58D-Y2-W](#) [L59D-R12-W](#) [L59UD-R12-W](#) [L625DG](#)  
[L625DR](#) [LE177WL39007](#) [LH1048BSWL3702](#) [LH1048BWL3702](#) [LH382A](#) [LH677G](#) [LHM628A](#) [FL276WL7R](#) [FL2950BWL7R](#)  
[FL2950WL7R](#) [FL2950WL8R](#) [FL2950WL8R-12](#) [FL2951WL8G](#) [FL2951WL8R](#) [FL589C7R](#) [FL67WL8G](#) [MPC5BCW18.0](#) [556-1605-808F](#)  
[556-1705-809F](#) [556-3008-839F](#) [558-0201-818F](#) [559-0001-813F](#) [559-1301-801F](#)