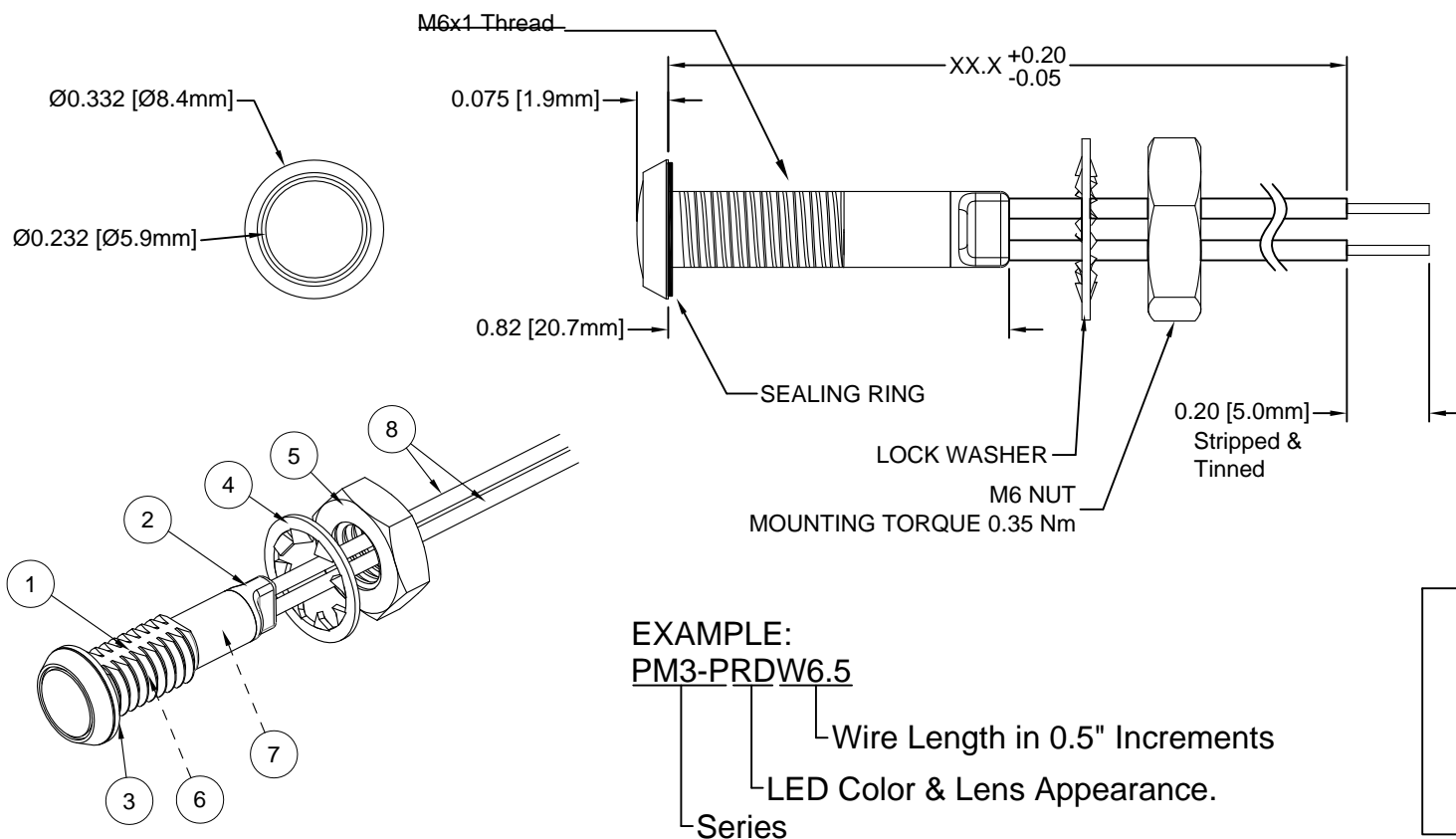


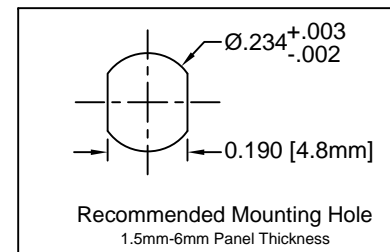
ITEM	Q'TY	PART NUMBER	PART DESCRIPTION
1	1	PM3-PE	3mm Polycarbonate Panel Mount Extended Housing
2	1	PM3-HP	3mm Panel Mount Wide Range Plug
3	1	PM3-VS	3mm Sealing Ring
4	1	WASH-1009	M6 Internal Tooth Lock Washer
5	1	NUT-1004	M6x1 Thin Nut
6	1	3XX-S	3mm LED, SEE SHEET #2
7	1	PCBA-1081	8~48V Universal Power Board
8	2	BWS24-1061-BK	24AWG Wire, UL Style 1061, Black

REV.	DESCRIPTION	DATE	APPROVED
A	Engineering Release	04/12/12	T. Y.
B	Updated Descriptions	03/21/13	T. Y.
C	Updated LED Optical Characteristics	09/15/15	J. C.



EXAMPLE:
PM3-PRDW6.5

Series
LED Color & Lens Appearance.
Wire Length in 0.5" Increments



NOTES:

1. SEALED TO IP67 RATING
2. WIDE RANGE VOLTAGE INPUT, 8-48 VAC/VDC
3. BIPOLAR OPERATION
4. ROHS COMPLIANT
5. MOUNTING HARDWARE SHIPPED NON-ASSEMBLED
6. INSERT SEALING RING ON PANEL MOUNT PRIOR TO PANEL INSERTION

STANDARD TOLERANCE (UNLESS OTHERWISE SPECIFIED)		BIVAR®	
DECIMALS	ANGULAR	4 THOMAS, IRVINE, CA. 92618	
.X ± .1	X° ± 1°	TEL: (949) 951-8808 FAX: (949) 951-3974	
.XX ± .02		TITLE: IP67 Rated Panel Mount Indicator w/ Wire	
.XXX ± .010		PART NO: PM3-PXXXWXX.X REVISION: C	
DESIGNED: T. Yin	DATE: 04/12/12	CAGE CODE : 32559	SHEET # 1 OF 2
CHECKED: B. Oliver	DATE: 04/12/12	CAD GENERATED DOCUMENT. DO NOT MEASURE DRAWING.	


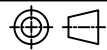
REV.	DESCRIPTION	DATE	APPROVED
	SEE SHEET #1		

Assembly Part Number	LED Part Number	Peak Wave Length λ_p (nm)	Emitted Color	Lens Appearance	Electro-Optical Data @ 20mA		Viewing Angle
					Typ Vf (VAC/VDC)	LED Iv (mcd)	
					TYP	TYP	
PM3-PADWXX.X	3SAD-S	610	AMBER	WHITE DIFFUSED	8-48	100	120
PM3-PBWDWXX.X	3BWD0.245-S	470	BLUE	WHITE DIFFUSED	8-48	200	120
PM3-PGDWXX.X	3SGD-S	568	GREEN	WHITE DIFFUSED	8-48	30	120
PM3-PHDWXX.X	3HD-S	625	HE RED	WHITE DIFFUSED	8-48	30	120
PM3-PPGDWXX.X	3SPGD-S	555	PURE GREEN	WHITE DIFFUSED	8-48	20	120
PM3-PRDWXX.X	3SRD-S	645	RED	WHITE DIFFUSED	8-48	40	120
PM3-PYDWXX.X	3SYD-S	585	YELLOW	WHITE DIFFUSED	8-48	30	120

Assembly Part Number	LED Part Number	Color Temperature	Emitted Color	Lens Appearance	Electro-Optical Data @ 20mA		Viewing Angle
					Typ Vf (VAC/VDC)	LED Iv (mcd)	
					TYP	TYP	
PM3-PWDWXX.X	3UWD2.555N	5000K	NEUTRAL WHITE	WHITE DIFFUSED	8-48	3300	120

ABSOLUTE MAXIMUM RATINGS (Ta = 25°C)

MAXIMUM POWER DISSIPATION _____ 400 mW
 OPERATING TEMPERATURE RANGE _____ -30°C ~ 85°C
 STORAGE TEMPERATURE _____ -40°C ~ 85°C

STANDARD TOLERANCE (UNLESS OTHERWISE SPECIFIED) DECIMALS ANGULAR		 4 THOMAS, IRVINE, CA. 92618 TEL: (949) 951-8808 FAX: (949) 951-3974	
			
DESIGNED: T. Yin	DATE: 04/12/12	TITLE: IP67 Rated Panel Mount Indicator w/ Wire	
CHECKED: B. Oliver	DATE: 04/12/12	PART NO: PM3-PXXXWXX.X	REVISION: C
		CAGE CODE : 32559	SHEET # 2 OF 2
CAD GENERATED DOCUMENT. DO NOT MEASURE DRAWING.			

X-ON Electronics

Largest Supplier of Electrical and Electronic Components

Click to view similar products for [LED Panel Mount Indicators](#) category:

Click to view products by [Bivar](#) manufacturer:

Other Similar products are found below :

[607-3232-140F](#) [821-0331-503](#) [FL2870C8R](#) [FL2950WL7B](#) [FL2950WL8G](#) [FL589WL8R](#) [FL67C8R](#) [H8630FBBA3](#) [NL177WL2A](#)
[NL177WL3G](#) [NL276C2A](#) [NL2950BWL3G](#) [NL589WL2R](#) [NL67C2C](#) [NL67C3R](#) [C480AABG3](#) [PB22BM41K](#) [PB22SIM40Y](#)
[PB22SKRS31KC](#) [L32R-R2-2311](#) [L3353-MWRG](#) [L39UR-R24-2111](#) [L58D-G2-W](#) [L58D-Y2-W](#) [L59D-R12-W](#) [L59UD-R12-W](#) [L625DG](#)
[L625DR](#) [LE177WL39007](#) [LH1048BSWL3702](#) [LH1048BWL3702](#) [LH382A](#) [LH677G](#) [LHM628A](#) [FL276WL7R](#) [FL2950BWL7R](#)
[FL2950WL7R](#) [FL2950WL8R](#) [FL2950WL8R-12](#) [FL2951WL8G](#) [FL2951WL8R](#) [FL589C7R](#) [FL67WL8G](#) [MPC5BCW18.0](#) [556-1605-808F](#)
[556-1705-809F](#) [556-3008-839F](#) [558-0201-818F](#) [559-0001-813F](#) [559-1301-801F](#)