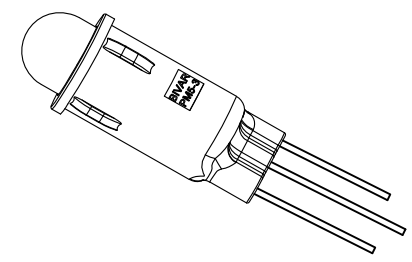
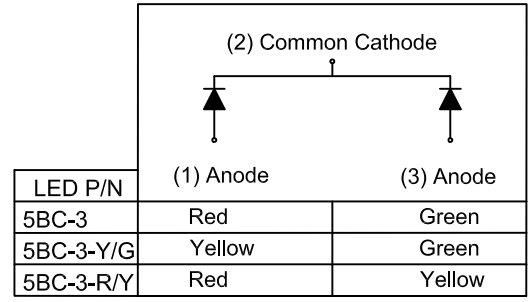
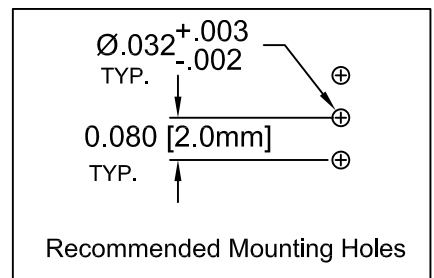
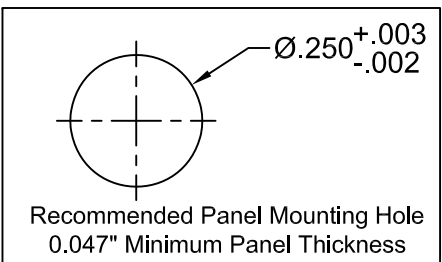
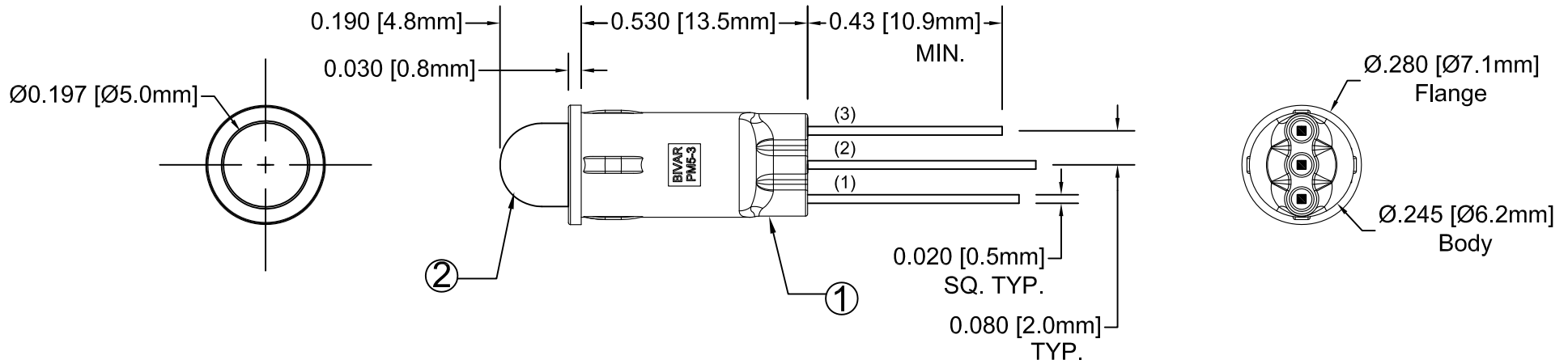


| ITEM | Q'TY | PART NUMBER | PART DESCRIPTION |
|------|------|-------------|--|
| 1 | 1 | PM5-3 | LED Holder, 3-Lead Panel Mount, Press Fit, 5mm |
| 2 | 1 | 5BC-3-XX | T1 ¼ (5mm) 3-Lead Shouldered Bi-Color LED, See Page 2. |

| REV. | DESCRIPTION | DATE | APPROVED |
|------|---------------------------------------|----------|----------|
| A | Engineering Release | 12/02/08 | T. Y. |
| B | Updated Recommended Mounting Hole | 07/13/09 | T. Y. |
| C | Updated 5BC-3 LED on Polarity Diagram | 09/01/09 | T. Y. |
| | | | |



ABSOLUTE MAXIMUM RATINGS (Ta = 25°C)

| | |
|--|---------------------|
| REVERSE VOLTAGE | 5V |
| REVERSE CURRENT (VR=5V) | 100µA |
| OPERATING TEMPERATURE RANGE | -25°C ~ 85°C |
| STORAGE TEMPERATURE | -30°C ~ 100°C |
| LEAD SOLDERING TEMPERATURE (1/16" FROM BODY) | 260°C for 5 Seconds |

| STANDARD TOLERANCE (UNLESS OTHERWISE SPECIFIED) | | BIVAR® | |
|---|-----------------------|--|--|
| DECIMALS | ANGULAR | 4 THOMAS, IRVINE, CA. 92618 | |
| .X ±.1 | X° ± 1° | TEL: (949) 951-8808 FAX: (949) 951-3974 | |
| .XX ±.02 | | TITLE: T1 ¼ (5mm) PANEL MOUNT ASSEMBLY, 3-LEAD BI-COLOR | |
| .XXX ±.010 | | PART NO: PM53-XX | |
| DESIGNED: Brian Olliver | DATE: 12/02/08 | REVISION: C | |
| CHECKED: F. Jensen | DATE: 12/02/08 | CAGE CODE : 32559 SHEET # 1 OF 2 | |
| CAD GENERATED DOCUMENT. DO NOT MEASURE DRAWING. | | | |

X-ON Electronics

Largest Supplier of Electrical and Electronic Components

Click to view similar products for [LED Panel Mount Indicators](#) category:

Click to view products by [Bivar](#) manufacturer:

Other Similar products are found below :

[607-3232-140F](#) [821-0331-503](#) [FL2870C8R](#) [FL2950WL7B](#) [FL2950WL8G](#) [FL589WL8R](#) [FL67C8R](#) [H8630FBBA3](#) [NL177WL2A](#)
[NL177WL3G](#) [NL276C2A](#) [NL2950BWL3G](#) [NL589WL2R](#) [NL67C2C](#) [NL67C3R](#) [C480AABG3](#) [PB22BM41K](#) [PB22SIM40Y](#)
[PB22SKRS31KC](#) [L32R-R2-2311](#) [L3353-MWRG](#) [L39UR-R24-2111](#) [L58D-G2-W](#) [L58D-Y2-W](#) [L59D-R12-W](#) [L59UD-R12-W](#) [L625DG](#)
[L625DR](#) [LE177WL39007](#) [LH1048BSWL3702](#) [LH1048BWL3702](#) [LH382A](#) [LH677G](#) [LHM628A](#) [FL276WL7R](#) [FL2950BWL7R](#)
[FL2950WL7R](#) [FL2950WL8R](#) [FL2950WL8R-12](#) [FL2951WL8G](#) [FL2951WL8R](#) [FL589C7R](#) [FL67WL8G](#) [MPC5BCW18.0](#) [556-1605-808F](#)
[556-1705-809F](#) [556-3008-839F](#) [558-0201-818F](#) [559-0001-813F](#) [559-1301-801F](#)