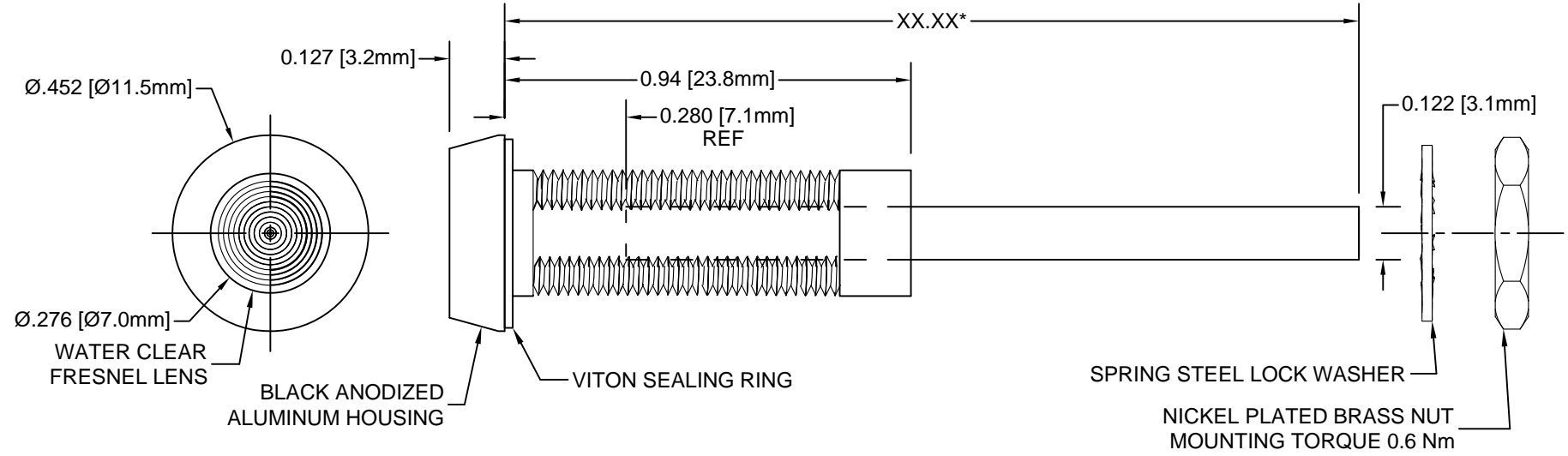
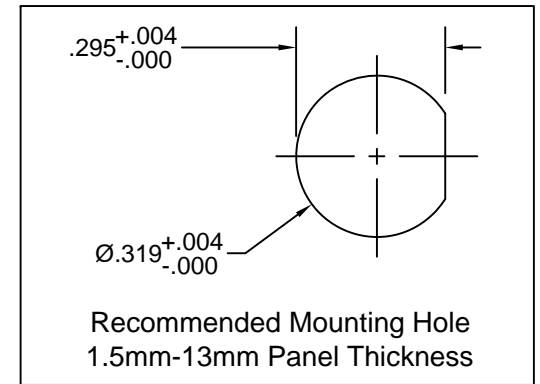


REV.	DESCRIPTION	DATE	APPROVED
B	Engineering Release	03/15/12	T. Y.
C	Added Note 5	12/10/12	T. Y.
D	Corrected Length Call Out & Updated Note 5	08/23/16	J. C.



*Length "XX.XX"	Tolerance
1.00" ~ 16.00"	±0.05"
16.25" ~ 40.00"	±0.15"
40.25" ~ 80.00"	±0.30"
80.25" ~ 500.0"	±0.5%

**EXAMPLE:**  
**PM5-A2031-6.50**  
 Series      Fiber Length in 0.25" Increments



- NOTES:**
1. SEALED TO IP67 RATING
  2. ROHS COMPLIANT
  3. MOUNTING HARDWARE SHIPPED NON-ASSEMBLED
  4. INSERT VITON RING ON PANEL MOUNT PRIOR TO PANEL INSERTION
  5. ALLOWABLE CABLE CUT LENGTH IS UP TO 3 DECIMAL PLACES

STANDARD TOLERANCE (UNLESS OTHERWISE SPECIFIED)		 4 THOMAS, IRVINE, CA. 92618 TEL: (949) 951-8808 FAX: (949) 951-3974	
DECIMALS	ANGULAR		
.X ± .1	X° ± 1°		<b>TITLE:</b> IP67 Rated Metal Panel Mount Flexible Light Pipe Indicator
.XX ± .02			
.XXX ± .010		<b>DESIGNED:</b> T. Yin <b>CHECKED:</b> B. Oliver	<b>DATE:</b> 03/15/12 <b>DATE:</b> 03/15/12
		<b>PART NO:</b> PM5-A2031-XX.XX <b>CAGE CODE :</b> 32559	<b>REVISION:</b> D <b>SHEET #</b> 1 OF 1
CAD GENERATED DOCUMENT. DO NOT MEASURE DRAWING.			

## X-ON Electronics

Largest Supplier of Electrical and Electronic Components

*Click to view similar products for [LED Light Pipes](#) category:*

*Click to view products by [Bivar](#) manufacturer:*

Other Similar products are found below :

[1367627-1](#) [SLP3-300-450-F](#) [SLP3-400-450-R](#) [LPA-C011301S-6](#) [LPF-C011306S](#) [FLP25-1.95](#) [VLP-640-F](#) [LPA-C011301S-5.4](#) [LPA-R051171S-12](#) [LPA-S011331S](#) [515-1027-803F](#) [515-1217F](#) [SLP3-150-300-R](#) [SLP3-500-450-R](#) [515-1064-810F](#) [FLPV-SG](#) [BDL-1187](#) [7511A41](#) [7511A87-500](#) [FLPV-SBC](#) [5151064802F](#) [5151-192-0055-0DF](#) [LPF-R011340S](#) [515-1166-801F](#) [FLPF-6.0](#) [PM4-C1522-3.70](#) [LC-11.25](#) [CLP-1214](#) [515-1064-808F](#) [FLX3\\_05](#) [515-1192-0025-0DF](#) [HS LC-H-D2/ R2XC1-2 54](#) [515-1192-80-3DF](#) [1282.2600](#) [1296.2004](#) [PBLP-1001-1](#) [SZ1-10.00-A220-F4P54](#) [SZ1-10.00-A220-F4P](#) [LC2-4.1](#) [1296.7042](#) [SF4-2.5-F5P](#) [PLP5-2-625-54](#) [FLP25-13.5](#) [1271.2002](#) [1272.0030](#) [1276.2004](#) [1281.1001-8MM](#) [1282.1300](#) [1296.1034](#) [1296.2022](#)