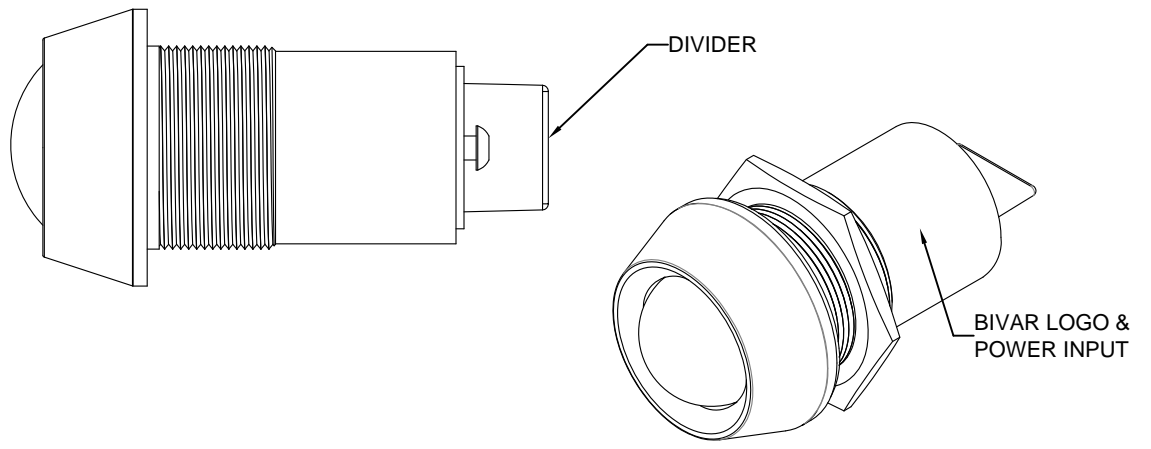
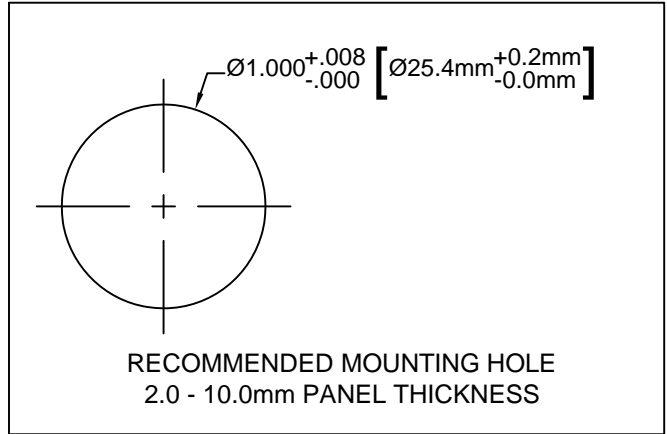
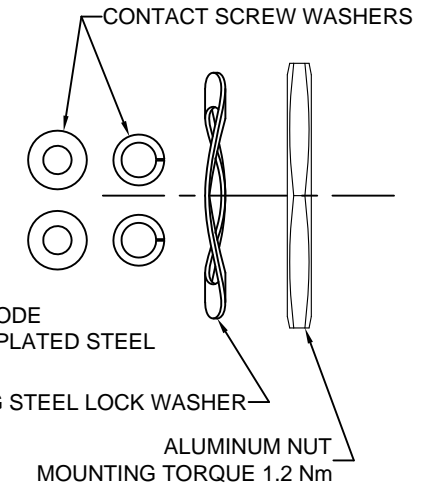
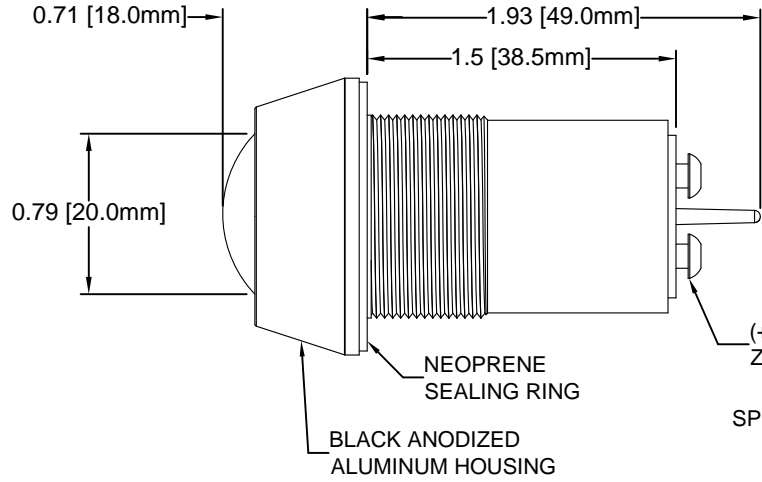
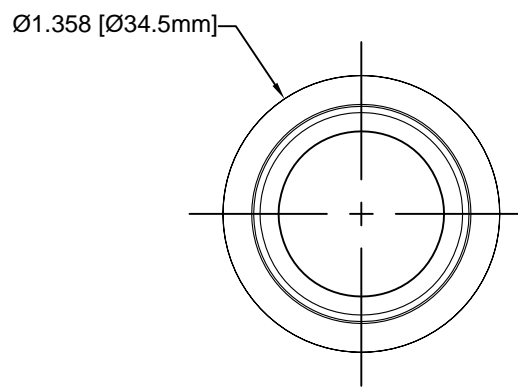


REV.	DESCRIPTION	DATE	APPROVED
B	Engineering Release	07/28/11	T. Y.
C	Engineering Update w/o Changes	08/11/16	J. C.



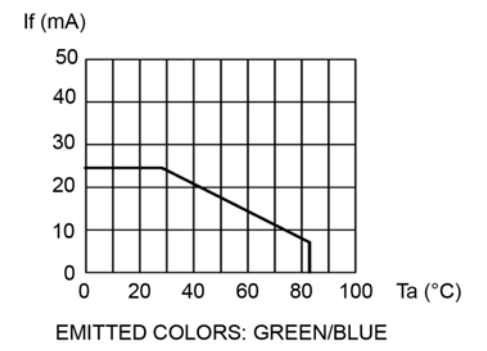
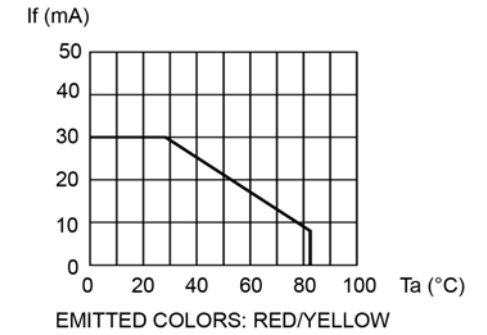
- NOTES:
1. SEALED TO IP67 RATING
 2. ROHS COMPLIANT
 3. MOUNTING HARDWARE SHIPPED NON-ASSEMBLED
 4. INSERT NEOPRENE RING ON PANEL MOUNT ASSEMBLY PRIOR TO PANEL INSTALLATION

STANDARD TOLERANCE (UNLESS OTHERWISE SPECIFIED)		 4 THOMAS, IRVINE, CA. 92618 TEL: (949) 951-8808 FAX: (949) 951-3974	
DECIMALS	ANGULAR		
.X ± .1	X° ± 1°	 TITLE: WATER TIGHT PANEL MOUNT LED ASSEMBLY, 25.4MM MOUNTING	
.XX ± .02			
.XXX ± .010			
DESIGNED: R. Paje	DATE: 02/23/11	PART NO: PM5-A20XXX	REVISION: C
CHECKED: T. Yin	DATE: 02/23/11	CAGE CODE : 32559	SHEET # 1 OF 2
CAD GENERATED DOCUMENT. DO NOT MEASURE DRAWING.			

REV.	DESCRIPTION	DATE	APPROVED
	SEE SHEET #1		


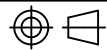
Part Number	Peak Wave Length λ_p (nm)	Emitted Color	Lens Appearance	Electro-Optical Data @ 20mA		Viewing Angle
				Vf (VAC/VDC)	Iv (mcd)	
				TYP	TYP	
PM5-A20R24V	660	RED	RED DIFFUSED	24VDC	250	160
PM5-A20Y24V	590	YELLOW	YELLOW DIFFUSED	24VDC	822	160
PM5-A20G24V	565	GREEN	GREEN DIFFUSED	24VDC	110	160
PM5-A20B24V	470	BLUE	BLUE DIFFUSED	24VDC	300	160
PM5-A20R110V	660	RED	RED DIFFUSED	110VAC/DC	250	160
PM5-A20Y110V	590	YELLOW	YELLOW DIFFUSED	110VAC/DC	822	160
PM5-A20G110V	565	GREEN	GREEN DIFFUSED	110VAC/DC	110	160
PM5-A20B110V	470	BLUE	BLUE DIFFUSED	110VAC/DC	300	160

DERATING CURVES



ABSOLUTE MAXIMUM RATINGS (Ta = 25°C)

MAXIMUM POWER DISSIPATION _____ 2500 mW
 OPERATING TEMPERATURE RANGE _____ -40°C ~ 85°C
 STORAGE TEMPERATURE _____ -40°C ~ 85°C

STANDARD TOLERANCE (UNLESS OTHERWISE SPECIFIED) DECIMALS ANGULAR		 4 THOMAS, IRVINE, CA. 92618 TEL: (949) 951-8808 FAX: (949) 951-3974	
			
DESIGNED: R. Paje	DATE: 02/23/11	PART NO: PM5-A20XXX	REVISION: C
CHECKED: T. Yin	DATE: 02/23/11	CAGE CODE : 32559	SHEET # 2 OF 2
CAD GENERATED DOCUMENT. DO NOT MEASURE DRAWING.			

X-ON Electronics

Largest Supplier of Electrical and Electronic Components

Click to view similar products for [LED Panel Mount Indicators](#) category:

Click to view products by [Bivar](#) manufacturer:

Other Similar products are found below :

[607-3232-140F](#) [821-0331-503](#) [FL2870C8R](#) [FL2950WL7B](#) [FL2950WL8G](#) [FL589WL8R](#) [FL67C8R](#) [H8630FBBA3](#) [NL177WL2A](#)
[NL177WL3G](#) [NL276C2A](#) [NL2950BWL3G](#) [NL589WL2R](#) [NL67C2C](#) [NL67C3R](#) [C480AABG3](#) [PB22BM41K](#) [PB22SIM40Y](#)
[PB22SKRS31KC](#) [L32R-R2-2311](#) [L3353-MWRG](#) [L39UR-R24-2111](#) [L58D-G2-W](#) [L58D-Y2-W](#) [L59D-R12-W](#) [L59UD-R12-W](#) [L625DG](#)
[L625DR](#) [LE177WL39007](#) [LE2821H5G](#) [LH1048BSWL3702](#) [LH1048BWL3702](#) [LH382A](#) [LH677G](#) [LHM628A](#) [FL276WL7R](#)
[FL2950BWL7R](#) [FL2950WL7R](#) [FL2950WL8R](#) [FL2950WL8R-12](#) [FL2951WL8G](#) [FL2951WL8R](#) [FL589C7R](#) [FL67WL8G](#) [MPC5BCW18.0](#)
[556-1605-808F](#) [556-1705-809F](#) [556-3008-839F](#) [558-0201-818F](#) [559-0001-813F](#)