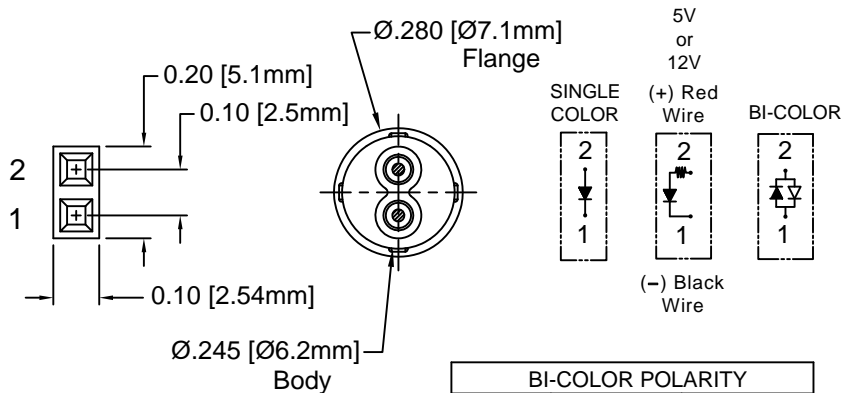
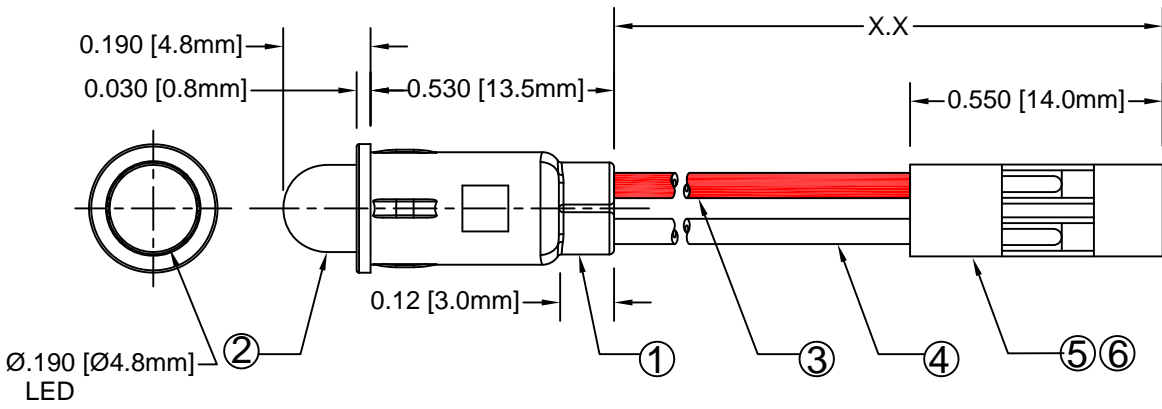
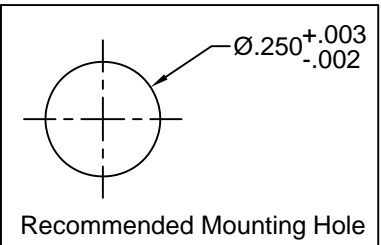


ITEM	Q'TY	PART NUMBER	PART DESCRIPTION
1	1	PM5-XXX	LED Holder, Panel Mount, Press Fit, (5mm) PM5 (Standard LED), PM5-5V (5V LED), & PM5-12V (12V LED)
2	1	5XXX	T-1¼ (5mm) Non-Flange LED, See Page 2.
3	1	BWS24-1007-RD	24AWG Wire Lead U.L. 1007, Red
4	1	BWS24-1007-BK	24AWG Wire Lead U.L. 1007, Black
5	1	2665S020000	Leoco 2665 Series 2.54 (.100") Crimp Type Socket, 1x
6	2	2653TPB0001	Leoco Terminal# 2653TPB0001 (Reel), 2653TPB00A1 (Bulk)

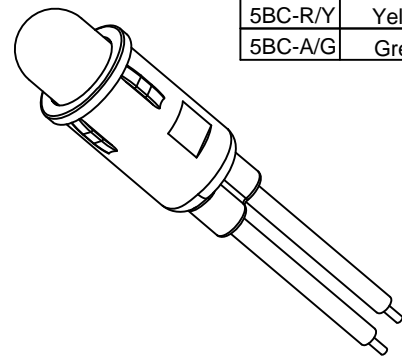
REV.	DESCRIPTION	DATE	APPROVED
D	Updated 5XXXL Specs	06/26/09	T. Y.
E	Added PM5BWCWX.X-CC Specs	08/14/09	T. Y.
F	Added PM5UGCWX.X-CC Specs	08/19/09	T. Y.
G	Added 5BC-Y/G Specs	02/09/10	T. Y.
H	LED Updates	01/19/11	T. Y.
J	Updated BOM Item #1 and Updated LED offering	11/13/12	T. Y.
K	Updated LED Optical Characteristics	09/15/15	J. C.



BI-COLOR POLARITY		
LED P/N	(2) Cathode	(1) Cathode
5BC	Green	Red
5BC-Y/G	Green	Yellow
5BC-R/Y	Yellow	Red
5BC-A/G	Green	Amber



EXAMPLE:
PM5RDW6.5*-CC
 Connector
 Wire Length "X.X"
 LED Color & Lens Appearance.
 Series


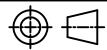


ABSOLUTE MAXIMUM RATINGS (Ta = 25°C)


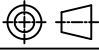
REVERSE VOLTAGE	5V
REVERSE CURRENT (VR=5V)	100µA
OPERATING TEMPERATURE RANGE	-25°C ~ 85°C
STORAGE TEMPERATURE	-30°C ~ 100°C
LEAD SOLDERING TEMPERATURE (1/16" FROM BODY)	260°C for 5 Seconds

STANDARD TOLERANCE (UNLESS OTHERWISE SPECIFIED)		BIVAR®	
DECIMALS	ANGULAR	4 THOMAS, IRVINE, CA. 92618	
.X ± .1	X° ± 1°	TEL: (949) 951-8808 FAX: (949) 951-3974	
.XX ± .02		TITLE: T-1¼ (5mm) PANEL MOUNT ASSEMBLY	
.XXX ± .010		PART NO: PM5XXWX.X-CC	
DESIGNED: Dan Beckman	DATE: 06/28/07	REVISION: K	
CHECKED: T. Yin	DATE: 06/28/07	CAGE CODE : 32559 SHEET # 1 OF 4	
CAD GENERATED DOCUMENT. DO NOT MEASURE DRAWING.			

LED Assy.No.	Chip			Lens Appearance	Electro-Optical Data @20mA				Viewing Angle 2 θ 1/2 (Deg)	LED P/N
	Material	Peak Wave Length	Emitted Color		If (mA)	Vf (V)		Iv (mcd)		
					MAX	TYP	MAX	TYP		
PM5BWCWX.X-CC	GaN/SiC	430	BLUE	WATER CLEAR	25	4.0	4.5	25	20	5BWC
PM5BWDWX.X-CC	GaN/SiC	430	BLUE	DIFFUSED	25	4.0	4.5	15	45	5BWD
PM5BWTWX.X-CC	GaN/SiC	430	BLUE	TINTED	25	4.0	4.5	30	20	5BWT
PM5GCWX.X-CC	GaP/GaP	568	GREEN	WATER CLEAR	30	2.1	2.8	40	35	5GC
PM5GDWX.X-CC	GaP/GaP	568	GREEN	DIFFUSED	30	2.1	2.8	25	45	5GD
PM5GTWX.X-CC	GaP/GaP	568	GREEN	TINTED	30	2.1	2.8	40	35	5GT
PM5PGCWX.X-CC	GaP/GaP	555	PURE GREEN	WATER CLEAR	30	2.2	2.8	10	35	5PGC
PM5PGDWX.X-CC	GaP/GaP	555	PURE GREEN	DIFFUSED	30	2.2	2.8	10	45	5PGD
PM5PGTWX.X-CC	GaP/GaP	555	PURE GREEN	TINTED	30	2.2	2.8	10	35	5PGT
PM5YCWX.X-CC	GaAsp/GaP	590	YELLOW	WATER CLEAR	30	2.0	2.8	40	35	5YC
PM5YDWX.X-CC	GaAsp/GaP	590	YELLOW	DIFFUSED	30	2.0	2.8	25	45	5YD
PM5YTWX.X-CC	GaAsp/GaP	590	YELLOW	TINTED	30	2.0	2.8	40	35	5YT
PM5ACWX.X-CC	GaAsp/GaP	605	AMBER	WATER CLEAR	30	2.0	2.8	40	35	5AC
PM5ADWX.X-CC	GaAsp/GaP	605	AMBER	DIFFUSED	30	2.0	2.8	25	45	5AD
PM5ATWX.X-CC	GaAsp/GaP	605	AMBER	TINTED	30	2.0	2.8	40	35	5AT
PM5HCWX.X-CC	GaAsp/GaP	625	HE RED	WATER CLEAR	30	2.0	2.8	40	35	5HC
PM5HDWX.X-CC	GaAsp/GaP	625	HE RED	DIFFUSED	30	2.0	2.8	25	45	5HD
PM5HTWX.X-CC	GaAsp/GaP	625	HE RED	TINTED	30	2.0	2.8	40	35	5HT
PM5RCWX.X-CC	GaP/GaP	700	RED	WATER CLEAR	20	2.1	2.8	2	35	5RC
PM5RDWX.X-CC	GaP/GaP	700	RED	DIFFUSED	20	2.1	2.8	2	45	5RD
PM5RTWX.X-CC	GaP/GaP	700	RED	TINTED	20	2.1	2.8	2	35	5RT
PM5BCWX.X-CC-A/G	GaAsp/GaP	605	AMBER	WHITE DIFFUSED	30	2.0	2.8	6	45	5BC-A/G
	GaP/GaP	568	GREEN		30	2.1	2.8	6		
PM5BCWX.X-CC	GaAsp/GaP	625	RED	WHITE DIFFUSED	30	2.0	2.8	6	45	5BC
	GaP/GaP	568	GREEN		30	2.1	2.8	8		
PM5BCWX.X-CC-R/Y	GaAsp/GaP	625	RED	WHITE DIFFUSED	30	2.0	2.8	6	45	5BC-R/Y
	GaP/GaP	590	YELLOW		30	2.0	2.8	5		
PM5BCWX.X-CC-Y/G	GaAsp/GaP	590	YELLOW	WHITE DIFFUSED	30	2.0	2.8	5	45	5BC-Y/G
	GaP/GaP	568	GREEN		30	2.1	2.8	8		


STANDARD TOLERANCE (UNLESS OTHERWISE SPECIFIED) ±10% ALL VALUES ANGULAR X° ± 5°		 BIVAR [®] 4 THOMAS, IRVINE, CA. 92618 TEL: (949) 951-8808 FAX: (949) 951-3974	
			
DESIGNED: Dan Beckman	DATE: 06/28/07	PART NO: PM5XXWX.X-CC	
CHECKED: T. Yin	DATE: 06/28/07	CAGE CODE : 32559	SHEET # 2 OF 4
CAD GENERATED DOCUMENT. DO NOT MEASURE DRAWING.			

LED Assy.No.	Chip			Lens Appearance	Electro-Optical Data @20mA				Viewing Angle 2 θ 1/2 (Deg)	LED P/N	
	Material	Peak Wave Length	Emitted Color		If (mA)	Vf (V)		Iv (mcd)			
						MAX	TYP	MAX			TYP
PM5UBWCWX.X-CC	InGaN/SiC	468	BLUE	WATER CLEAR	50	3.2	3.6	5000	15	5BWC2.515	
PM5SGCWX.X-CC	GaP/GaP	568	GREEN	WATER CLEAR	30	2.1	2.8	60	35	5SGC	
PM5SGDWX.X-CC	GaP/GaP	568	GREEN	DIFFUSED	30	2.1	2.8	50	40	5SGD	
PM5SGTWX.X-CC	GaP/GaP	568	GREEN	TINTED	30	2.1	2.8	60	35	5SGT	
PM5SYCWX.X-CC	GaAsP/GaP	590	YELLOW	WATER CLEAR	30	2.0	2.8	600	35	5SYC	
PM5SYDWX.X-CC	GaAsP/GaP	590	YELLOW	DIFFUSED	30	2.0	2.8	150	40	5SYD	
PM5SYTWX.X-CC	GaAsP/GaP	590	YELLOW	TINTED	30	2.0	2.8	600	35	5SYT	
PM5SRCWX.X-CC	GaAlAs/GaAs	645	SUPER RED	WATER CLEAR	30	1.7	2.4	60	35	5SRC	
PM5SRDWX.X-CC	GaAlAs/GaAs	645	SUPER RED	DIFFUSED	30	1.7	2.4	40	40	5SRD	
PM5SRTWX.X-CC	GaAlAs/GaAs	645	SUPER RED	TINTED	30	1.7	2.4	60	35	5SRT	
PM5UGCWX.X-CC	AlGaInP	570	GREEN	WATER CLEAR	30	2.1	2.4	600	35	5UGC	
PMTSUGCWX.X-CC	AlGaInP	570	GREEN	WATER CLEAR	30	2.1	2.4	300	35	5SUGC	
PM5UYCWX.X-CC	AlGaInP	590	YELLOW	WATER CLEAR	30	2.0	2.4	1000	30	5UYC	
PM5SUYCWX.X-CC	AlGaInP	590	YELLOW	WATER CLEAR	30	2.0	2.4	700	35	5SUYC	
PM5UOCWX.X-CC	AlGaInP	590	YELLOW	WATER CLEAR	30	2.0	2.4	500	35	5UUYC	
PM5UOCWX.X-CC	AlGaInP	625	ORANGE	WATER CLEAR	30	1.8	2.4	1400	35	5UOC	
PM5SUOCWX.X-CC	AlGaInP	625	ORANGE	WATER CLEAR	30	1.8	2.4	1300	35	5SUOC	
PM5URCWX.X-CC	GaAlAs/GaAs	645	RED	WATER CLEAR	30	1.7	2.4	400	30	5URC	
PM5SURCWX.X-CC	AlGaInP	640	RED	WATER CLEAR	30	1.8	2.4	500	35	5SURC	
PM5UWCWX.X-CC	InGaN/SiC	6500K	WHITE	WATER CLEAR	100	3.5	4.2	2700	30	5WC2.730	

STANDARD TOLERANCE (UNLESS OTHERWISE SPECIFIED) ±10% ALL VALUES ANGULAR X° ± 5°		 BIVAR [®] 4 THOMAS, IRVINE, CA. 92618 TEL: (949) 951-8808 FAX: (949) 951-3974	
			
DESIGNED: Dan Beckman	DATE: 06/28/07	PART NO: PM5XXWX.X-CC	REVISION: K
CHECKED: T. Yin	DATE: 06/28/07	CAGE CODE : 32559	SHEET # 3 OF 4
CAD GENERATED DOCUMENT. DO NOT MEASURE DRAWING.			

LED Assy. No.	Peak Wave Length λ_p (nm)	Emitted Color	Lens Appearance	Max. Rating	Electro-Optical Data @ 2mA			Viewing Angle $2\theta_{1/2}$ (Deg)	LED P/N
				If (mA)	Vf (V)		Iv (mcd)		
				MAX	TYP	MAX	TYP		
PM5BWDLWX.X-CC	430	BLUE	DIFFUSED	7	3.8	4.2	4	45	5BWDL
PM5PGDLWX.X-CC	555	PURE GREEN	DIFFUSED	7	2.1	2.6	1	45	5PGDL
PM5GDLWX.X-CC	568	GREEN	DIFFUSED	7	2.1	2.6	5	45	5GDL
PM5YDLWX.X-CC	590	YELLOW	DIFFUSED	7	2.0	2.6	4	45	5YDL
PM5ADLWX.X-CC	605	AMBER	DIFFUSED	7	2.0	2.6	4	45	5ADL
PM5HDLWX.X-CC	625	HE RED	DIFFUSED	7	2.0	2.6	5	45	5HDL
PM5SRDLWX.X-CC	645	SUPER RED	DIFFUSED	7	1.7	2.3	6	45	5SRDL

LED Assy. No.	Peak Wave Length λ_p (nm)	Emitted Color	Lens Appearance	Electro-Optical Data				Viewing Angle $2\theta_{1/2}$ (Deg)	LED P/N
				If (mA)	Vf (V)		Iv (mcd)		
				MAX	TYP	MAX	TYP		
5 Volt				Data @ 5V					
PM5BWD5VWX.X-CC	BLUE	430	DIFFUSED	-	-	5	15	40	5BWD5V
PM5GC5VWX.X-CC	GREEN	568	WATER CLEAR	-	-	5	40	40	5GC5V
PM5GD5VWX.X-CC	GREEN	568	DIFFUSED	-	-	5	25	40	5GD5V
PM5GT5VWX.X-CC	GREEN	568	TINTED	-	-	5	40	40	5GT5V
PM5AD5VWX.X-CC	AMBER	605	DIFFUSED	-	-	5	25	40	5AD5V
PM5HD5VWX.X-CC	HE RED	625	DIFFUSED	-	-	5	30	40	5HD5V
PM5RD5VWX.X-CC	RED	700	DIFFUSED	-	-	5	1.5	40	5RD5V
PM5YD5VWX.X-CC	YELLOW	590	DIFFUSED	-	-	5	25	40	5YD5V
12 Volt				Data @ 12V					
PM5GC12VWX.X-CC	GREEN	568	WATER CLEAR	-	-	12	40	35	5GC12V
PM5GD12VWX.X-CC	GREEN	568	DIFFUSED	-	-	12	25	40	5GD12V
PM5HC12VWX.X-CC	HE RED	625	WATER CLEAR	-	-	12	50	35	5HC12V
PM5HD12VWX.X-CC	HE RED	625	DIFFUSED	-	-	12	30	40	5HD12V
PM5RC12VWX.X-CC	RED	700	WATER CLEAR	-	-	12	2	35	5RC12V
PM5RD12VWX.X-CC	RED	700	DIFFUSED	-	-	12	1.5	40	5RD12V
PM5YC12VWX.X-CC	YELLOW	590	WATER CLEAR	-	-	12	25	35	5YC12V
PM5YD12VWX.X-CC	YELLOW	590	DIFFUSED	-	-	12	20	40	5YD12V

STANDARD TOLERANCE (UNLESS OTHERWISE SPECIFIED) $\pm 10\%$ ALL VALUES		 BIVAR [®] 4 THOMAS, IRVINE, CA. 92618 TEL: (949) 951-8808 FAX: (949) 951-3974	
ANGULAR X° \pm 5°			
DESIGNED: Dan Beckman		TITLE: T-1 1/4 (5mm) PANEL MOUNT ASSEMBLY	
DATE: 06/28/07		PART NO: PM5XXWX.X-CC	
CHECKED: T. Yin		REVISION: K	
DATE: 06/28/07		CAGE CODE : 32559 SHEET # 4 OF 4	
CAD GENERATED DOCUMENT. DO NOT MEASURE DRAWING.			

X-ON Electronics

Largest Supplier of Electrical and Electronic Components

Click to view similar products for [LED Panel Mount Indicators](#) category:

Click to view products by [Bivar](#) manufacturer:

Other Similar products are found below :

[607-3232-140F](#) [821-0331-503](#) [FL2870C8R](#) [FL2950WL7B](#) [FL2950WL8G](#) [FL589WL8R](#) [FL67C8R](#) [H8630FBBA3](#) [NL177WL2A](#)
[NL177WL3G](#) [NL276C2A](#) [NL2950BWL3G](#) [NL589WL2R](#) [NL67C2C](#) [NL67C3R](#) [C480AABG3](#) [PB22BM41K](#) [PB22SIM40Y](#)
[PB22SKRS31KC](#) [L32R-R2-2311](#) [L3353-MWRG](#) [L39UR-R24-2111](#) [L58D-G2-W](#) [L58D-Y2-W](#) [L59D-R12-W](#) [L59UD-R12-W](#) [L625DG](#)
[L625DR](#) [LE177WL39007](#) [LE2821H5G](#) [LH1048BSWL3702](#) [LH1048BWL3702](#) [LH382A](#) [LH677G](#) [LHM628A](#) [FL276WL7R](#)
[FL2950BWL7R](#) [FL2950WL7R](#) [FL2950WL8R](#) [FL2950WL8R-12](#) [FL2951WL8G](#) [FL2951WL8R](#) [FL589C7R](#) [FL67WL8G](#) [MPC5BCW18.0](#)
[556-1605-808F](#) [556-1705-809F](#) [556-3008-839F](#) [558-0201-818F](#) [559-0001-813F](#)