

PM5 Series Panel Mount Assemblies



- ◆ Available In A Wide Range Of Voltages
- ◆ Press Fit Mounting Lowers Labor And Assembly Cost
- ◆ 6" 24AWG Wire Leads At No Additional Cost
- ◆ Wide Variety Of Connectors Available

Mounting Information:

Press-fit mounting in 0.250 [7.11mm] hole
 Panel Thickness: 0.047 [1.2mm] to 0.093 [2.4mm]

Material Specifications:

Housing: UL Rated 94V-0, Black, 6 Nylon per
 ASTM D4066 PA111
 Oxygen Index: +28%
 Optional Wire Leads: 24AWG U.L. 1007 Cathode-Black,
 Anode-Red

Application Notes:

Wire leads from 2.5" to 48" are available subject to special quotation. Please consult Bivar at 1-800-SPACERS for additional information.

Many connectors are available as well as customer specified connectors. Subject to quotation.

Ordering Information:

PM5	G	D	5V	W6	-CC
Series	Color	Lens	Special	Leads	Options

Color Options and Suffixes:

Suffix	Color	Peak (nm)	Typ. Vf
G	Green	565nm	2.0
H	High Efficiency Red	635nm	2.0
Y	Yellow	585nm	2.0
SR	Super Red	660nm	2.0
O	Orange	635nm	2.0
A	Amber	610nm	2.0
BW	Blue	430nm	3.5
BC	Red/Green Bi-Color	635/565	2.0

Lens Choices:

D Color Diffused
C Water Clear
T Tinted Non-diffused

Special:

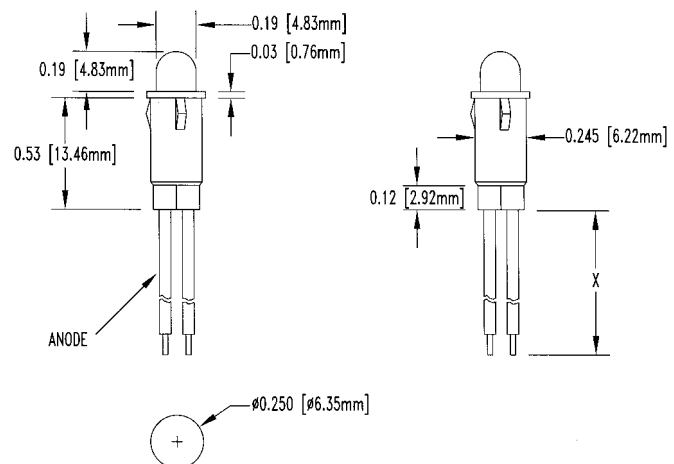
L 2mA Low Current
5V 5 Volt Integrated Resistor
12V 12 Volt integrated resistor

Leads:

"Blank" Terminal Leads
Wx 24AWG Wire Leads
 (Replace the "X" with the length in inches)

Options:

-CC Standard 0.100" [2.54mm] pitch header connector (See Page 52)
-CC2 Miniature 0.079" [2.00mm] pitch header connector (See Page 52)



X-ON Electronics

Largest Supplier of Electrical and Electronic Components

Click to view similar products for [LED Panel Mount Indicators](#) category:

Click to view products by [Bivar](#) manufacturer:

Other Similar products are found below :

[607-3232-140F](#) [821-0331-503](#) [FL2870C8R](#) [FL2950WL7B](#) [FL2950WL8G](#) [FL589WL8R](#) [FL67C8R](#) [H8630FBBA3](#) [NL177WL2A](#)
[NL177WL3G](#) [NL276C2A](#) [NL2950BWL3G](#) [NL589WL2R](#) [NL67C2C](#) [NL67C3R](#) [C480AABG3](#) [PB22BM41K](#) [PB22SIM40Y](#)
[PB22SKRS31KC](#) [L32R-R2-2311](#) [L3353-MWRG](#) [L39UR-R24-2111](#) [L58D-G2-W](#) [L58D-Y2-W](#) [L59D-R12-W](#) [L59UD-R12-W](#) [L625DG](#)
[L625DR](#) [LE177WL39007](#) [LE2821H5G](#) [LH1048BSWL3702](#) [LH1048BWL3702](#) [LH382A](#) [LH677G](#) [LHM628A](#) [FL276WL7R](#)
[FL2950BWL7R](#) [FL2950WL7R](#) [FL2950WL8R](#) [FL2950WL8R-12](#) [FL2951WL8G](#) [FL2951WL8R](#) [FL589C7R](#) [FL67WL8G](#) [MPC5BCW18.0](#)
[556-1605-808F](#) [556-1705-809F](#) [556-3008-839F](#) [558-0201-818F](#) [559-0001-813F](#)