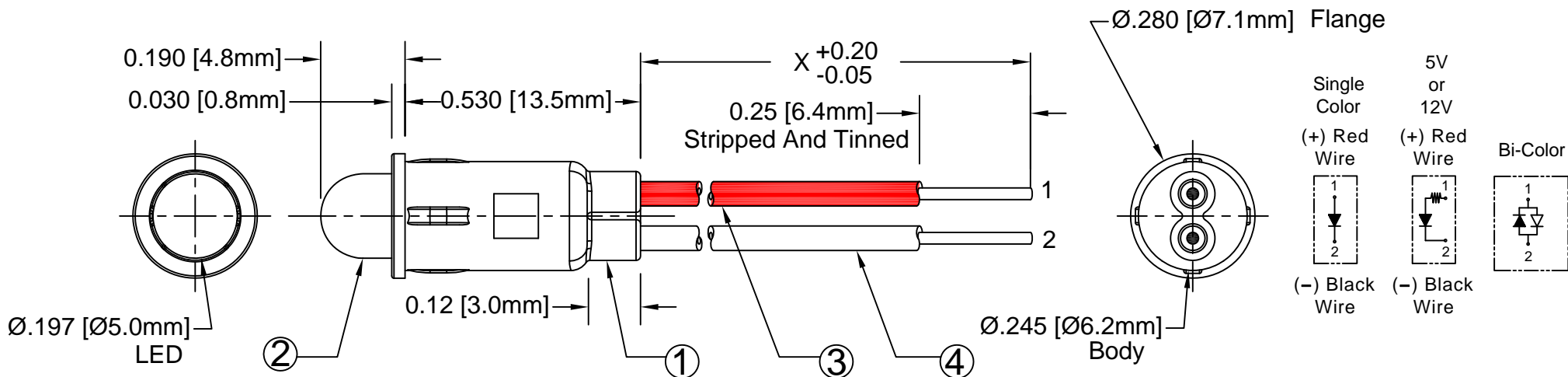


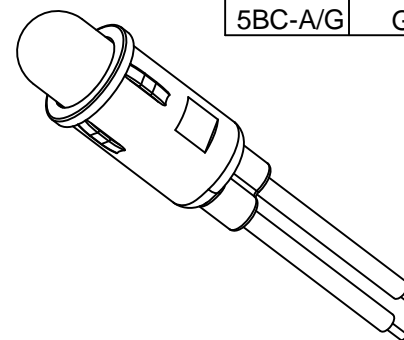
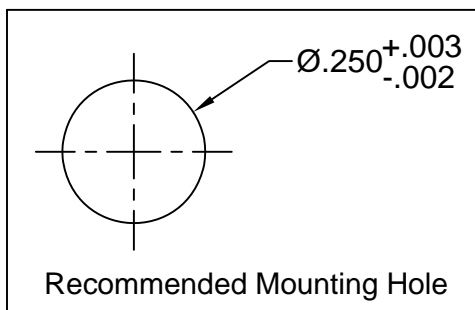
ITEM	Q'TY	PART NUMBER	PART DESCRIPTION
1	1	PM5-XXX	LED Holder, Panel Mount, Press Fit, (5mm) PM5 (Standard LED), PM5-5V (5V LED), & PM5-12V (12V LED)
2	1	5XX	T1 3/4 (5mm) Non-Flange LED, See Following Pages
3	1	BWS24-1007-RD	24AWG Wire Lead U.L. 1007, Red
4	1	BWS24-1007-BK	24AWG Wire Lead U.L. 1007, Black

REV.	DESCRIPTION	DATE	APPROVED
E	Added 5WC2.520 & 5WC4.030 Specs	06/29/09	T. Y.
F	Added 5WC7.015 & 5XRC8.515 Specs	10/01/09	T. Y.
G	Added 5BC-Y/G Specs	02/09/10	T. Y.
H	Updated LED Offering	05/03/12	T. Y.
J	Updated BOM item 1	11/13/12	T. Y.
K	Corrected LED P/N Typo in Table	04/23/14	J. C.
L	Updated LED Optical Characteristics	09/15/15	J. C.



BI-COLOR POLARITY		
LED P/N	(1) Cathode	(2) Cathode
5BC	Green	Red
5BC-Y/G	Green	Yellow
5BC-R/Y	Yellow	Red
5BC-A/G	Green	Amber

EXAMPLE:
PM5RDW6.5*
 — Wire Length in inches
 — LED Color & Lens Appearance.
 — Series


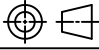


ABSOLUTE MAXIMUM RATINGS (Ta = 25°C)


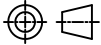
REVERSE VOLTAGE	_____	5V
REVERSE CURRENT (VR=5V)	_____	100µA
OPERATING TEMPERATURE RANGE	_____	-25°C ~ 85°C
STORAGE TEMPERATURE	_____	-30°C ~ 100°C
LEAD SOLDERING TEMPERATURE (1/16" FROM BODY)	_____	260°C for 5 Seconds

STANDARD TOLERANCE (UNLESS OTHERWISE SPECIFIED)		 4 THOMAS, IRVINE, CA. 92618 TEL: (949) 951-8808 FAX: (949) 951-3974	
DECIMALS	ANGULAR		
.X ± .1	X° ± 1°	TITLE: STD PANEL MOUNT INDICATORS W/ WIRES PART NO: PM5XXWX.X REVISION: L CAGE CODE : 32559 SHEET # 1 OF 4 CAD GENERATED DOCUMENT. DO NOT MEASURE DRAWING.	
.XX ± .02			
.XXX ± .010			
DESIGNED: David Green	DATE: 10/06/04		
CHECKED: T. Yin	DATE: 10/06/04		

LED Assy.No.	Chip			Lens Appearance	Electro-Optical Data @20mA				Viewing Angle 2 θ 1/2 (Deg)	LED P/N	
	Material	Peak Wave Length	Emitted Color		If (mA)	Vf (V)		Iv (mcd)			
						MAX	TYP	MAX			TYP
PM5BWCWX.X	GaN/SiC	430	BLUE	WATER CLEAR	25	4.0	4.5	25	20	5BWC	
PM5BWDWX.X	GaN/SiC	430	BLUE	DIFFUSED	25	4.0	4.5	15	45	5BWD	
PM5BWTWX.X	GaN/SiC	430	BLUE	TINTED	25	4.0	4.5	30	20	5BWT	
PM5GCW.X.X	GaP/GaP	568	GREEN	WATER CLEAR	30	2.1	2.8	40	35	5GC	
PM5GDWX.X	GaP/GaP	568	GREEN	DIFFUSED	30	2.1	2.8	25	45	5GD	
PM5GTWX.X	GaP/GaP	568	GREEN	TINTED	30	2.1	2.8	40	35	5GT	
PM5PGCW.X	GaP/GaP	555	PURE GREEN	WATER CLEAR	30	2.2	2.8	10	35	5PGC	
PM5PGDWX.X	GaP/GaP	555	PURE GREEN	DIFFUSED	30	2.2	2.8	10	45	5PGD	
PM5PGTWX.X	GaP/GaP	555	PURE GREEN	TINTED	30	2.2	2.8	10	35	5PGT	
PM5YCW.X	GaAsp/GaP	590	YELLOW	WATER CLEAR	30	2.0	2.8	40	35	5YC	
PM5YDWX.X	GaAsp/GaP	590	YELLOW	DIFFUSED	30	2.0	2.8	25	45	5YD	
PM5YTWX.X	GaAsp/GaP	590	YELLOW	TINTED	30	2.0	2.8	40	35	5YT	
PM5ACWX.X	GaAsp/GaP	605	AMBER	WATER CLEAR	30	2.0	2.8	40	35	5AC	
PM5ADWX.X	GaAsp/GaP	605	AMBER	DIFFUSED	30	2.0	2.8	25	45	5AD	
PM5ATWX.X	GaAsp/GaP	605	AMBER	TINTED	30	2.0	2.8	40	35	5AT	
PM5HCWX.X	GaAsp/GaP	625	HE RED	WATER CLEAR	30	2.0	2.8	40	35	5HC	
PM5HDWX.X	GaAsp/GaP	625	HE RED	DIFFUSED	30	2.0	2.8	25	45	5HD	
PM5HTWX.X	GaAsp/GaP	625	HE RED	TINTED	30	2.0	2.8	40	35	5HT	
PM5RCWX.X	GaP/GaP	700	RED	WATER CLEAR	20	2.1	2.8	2	35	5RC	
PM5RDWX.X	GaP/GaP	700	RED	DIFFUSED	20	2.1	2.8	2	45	5RD	
PM5RTWX.X	GaP/GaP	700	RED	TINTED	20	2.1	2.8	2	35	5RT	
PM5BCWX.X-A/G	GaAsp/GaP	605	AMBER	WHITE DIFFUSED	30	2.0	2.8	6	45	5BC-A/G	
	GaP/GaP	568	GREEN		30	2.1	2.8	6			
PM5BCWX.X	GaAsp/GaP	625	RED	WHITE DIFFUSED	30	2.0	2.8	6	45	5BC	
	GaP/GaP	568	GREEN		30	2.1	2.8	8			
PM5BCWX.X-R/Y	GaAsp/GaP	625	RED	WHITE DIFFUSED	30	2.0	2.8	6	45	5BC-R/Y	
	GaP/GaP	590	YELLOW		30	2.0	2.8	5			
PM5BCWX.X-Y/G	GaAsp/GaP	590	YELLOW	WHITE DIFFUSED	30	2.0	2.8	5	45	5BC-Y/G	
	GaP/GaP	568	GREEN		30	2.1	2.8	8			


STANDARD TOLERANCE (UNLESS OTHERWISE SPECIFIED) ±10% ALL VALUES		 BIVAR [®] 4 THOMAS, IRVINE, CA. 92618 TEL: (949) 951-8808 FAX: (949) 951-3974	
ANGULAR X° ± 1°			
DESIGNED: David Green		 TITLE: STD PANEL MOUNT INDICATORS W/ WIRES	
DATE: 10/06/04		PART NO: PM5XXWX.X	
CHECKED: T. Yin		REVISION: L	
DATE: 10/06/04		CAGE CODE : 32559	
		SHEET # 2 OF 4	
CAD GENERATED DOCUMENT. DO NOT MEASURE DRAWING.			

LED Assy.No.	Chip			Lens Appearance	Electro-Optical Data @20mA				Viewing Angle 2 θ 1/2 (Deg)	LED P/N
	Material	Peak Wave Length	Emitted Color		If (mA)	Vf (V)		Iv (mcd)		
						MAX	TYP			
PM5UBWCWX.X	InGaN/SiC	468	BLUE	WATER CLEAR	50	3.2	3.6	5000	15	5BWC2.515
PM5SGCWX.X	GaP/GaP	568	GREEN	WATER CLEAR	30	2.1	2.8	60	35	5SGC
PM5SGDWX.X	GaP/GaP	568	GREEN	DIFFUSED	30	2.1	2.8	50	40	5SGD
PM5SGTWX.X	GaP/GaP	568	GREEN	TINTED	30	2.1	2.8	60	35	5SGT
PM5SYCWX.X	GaAsP/GaP	590	YELLOW	WATER CLEAR	30	2.0	2.8	600	35	5SYC
PM5SYDWX.X	GaAsP/GaP	590	YELLOW	DIFFUSED	30	2.0	2.8	150	40	5SYD
PM5SYTWX.X	GaAsP/GaP	590	YELLOW	TINTED	30	2.0	2.8	600	35	5SYT
PM5SRCWX.X	GaAlAs/GaAs	645	SUPER RED	WATER CLEAR	30	1.7	2.4	60	35	5SRC
PM5SRDWX.X	GaAlAs/GaAs	645	SUPER RED	DIFFUSED	30	1.7	2.4	40	40	5SRD
PM5SRTWX.X	GaAlAs/GaAs	645	SUPER RED	TINTED	30	1.7	2.4	60	35	5SRT
PM5UGCWX.X	AlGaInP	570	GREEN	WATER CLEAR	30	2.1	2.4	600	35	5UGC
PMTSUGCWX.X	AlGaInP	570	GREEN	WATER CLEAR	30	2.1	2.4	300	35	5SUGC
PM5UYCWX.X	AlGaInP	590	YELLOW	WATER CLEAR	30	2.0	2.4	1000	30	5UYC
PM5SUYCWX.X	AlGaInP	590	YELLOW	WATER CLEAR	30	2.0	2.4	700	35	5SUYC
PM5UOCWX.X	AlGaInP	590	YELLOW	WATER CLEAR	30	2.0	2.4	500	35	5UUYC
PM5UOCWX.X	AlGaInP	625	ORANGE	WATER CLEAR	30	1.8	2.4	1400	35	5UOC
PM5SUOCWX.X	AlGaInP	625	ORANGE	WATER CLEAR	30	1.8	2.4	1300	35	5SUOC
PM5URCWX.X	GaAlAs/GaAs	645	RED	WATER CLEAR	30	1.7	2.4	400	30	5URC
PM5SURCWX.X	AlGaInP	640	RED	WATER CLEAR	30	1.8	2.4	500	35	5SURC
PM5UWCWX.X	InGaN/SiC	6500K	WHITE	WATER CLEAR	100	3.5	4.2	2700	30	5WC2.730

STANDARD TOLERANCE (UNLESS OTHERWISE SPECIFIED) ±10% ALL VALUES ANGULAR X° ± 1°		 BIVAR [®] 4 THOMAS, IRVINE, CA. 92618 TEL: (949) 951-8808 FAX: (949) 951-3974	
			
DESIGNED: David Green	DATE: 10/06/04	PART NO: PM5XXWX.X	
CHECKED: T. Yin	DATE: 10/06/04	CAGE CODE : 32559	SHEET # 3 OF 4
CAD GENERATED DOCUMENT. DO NOT MEASURE DRAWING.			

LED Assy. No.	Peak Wave Length λ_p (nm)	Emitted Color	Lens Appearance	Max. Rating	Electro-Optical Data @ 2mA			Viewing Angle 2 θ $\frac{1}{2}$ (Deg)	LED P/N
				If (mA)	Vf (V)		Iv (mcd)		
				MAX	TYP	MAX	TYP		
PM5BWDLWX.X	430	BLUE	DIFFUSED	7	3.8	4.2	4	45	5BWDL
PM5PGDLWX.X	555	PURE GREEN	DIFFUSED	7	2.1	2.6	1	45	5PGDL
PM5GDLWX.X	568	GREEN	DIFFUSED	7	2.1	2.6	5	45	5GDL
PM5YDLWX.X	590	YELLOW	DIFFUSED	7	2.0	2.6	4	45	5YDL
PM5ADLWX.X	605	AMBER	DIFFUSED	7	2.0	2.6	4	45	5ADL
PM5HDLWX.X	625	HE RED	DIFFUSED	7	2.0	2.6	5	45	5HDL
PM5SRDLWX.X	645	SUPER RED	DIFFUSED	7	1.7	2.3	6	45	5SRDL

LED Assy. No.	Peak Wave Length λ_p (nm)	Emitted Color	Lens Appearance	Electro-Optical Data				Viewing Angle 2 θ $\frac{1}{2}$ (Deg)	LED P/N
				If (mA)	Vf (V)		Iv (mcd)		
				MAX	TYP	MAX	TYP		
5 Volt				Data @ 5V					
PM5BWD5VWX.X	BLUE	430	DIFFUSED	-	-	5	15	40	5BWD5V
PM5GC5VWX.X	GREEN	568	WATER CLEAR	-	-	5	40	40	5GC5V
PM5GD5VWX.X	GREEN	568	DIFFUSED	-	-	5	25	40	5GD5V
PM5GT5VWX.X	GREEN	568	TINTED	-	-	5	40	40	5GT5V
PM5AD5VWX.X	AMBER	605	DIFFUSED	-	-	5	25	40	5AD5V
PM5HD5VWX.X	HE RED	625	DIFFUSED	-	-	5	30	40	5HD5V
PM5RD5VWX.X	RED	700	DIFFUSED	-	-	5	1.5	40	5RD5V
PM5YD5VWX.X	YELLOW	590	DIFFUSED	-	-	5	25	40	5YD5V
12 Volt				Data @ 12V					
PM5GC12VWX.X	GREEN	568	WATER CLEAR	-	-	12	40	35	5GC12V
PM5GD12VWX.X	GREEN	568	DIFFUSED	-	-	12	25	40	5GD12V
PM5HC12VWX.X	HE RED	625	WATER CLEAR	-	-	12	50	35	5HC12V
PM5HD12VWX.X	HE RED	625	DIFFUSED	-	-	12	30	40	5HD12V
PM5RC12VWX.X	RED	700	WATER CLEAR	-	-	12	2	35	5RC12V
PM5RD12VWX.X	RED	700	DIFFUSED	-	-	12	1.5	40	5RD12V
PM5YC12VWX.X	YELLOW	590	WATER CLEAR	-	-	12	25	35	5YC12V
PM5YD12VWX.X	YELLOW	590	DIFFUSED	-	-	12	20	40	5YD12V

STANDARD TOLERANCE (UNLESS OTHERWISE SPECIFIED) $\pm 10\%$ ALL VALUES		ANGULAR X° \pm 1°		 BIVAR [®] 4 THOMAS, IRVINE, CA. 92618 TEL: (949) 951-8808 FAX: (949) 951-3974
DESIGNED: David Green		DATE: 10/06/04		
CHECKED: T. Yin		DATE: 10/06/04		REVISION: L
CAD GENERATED DOCUMENT. DO NOT MEASURE DRAWING.				

X-ON Electronics

Largest Supplier of Electrical and Electronic Components

Click to view similar products for [LED Circuit Board Indicators](#) category:

Click to view products by [Bivar](#) manufacturer:

Other Similar products are found below :

[568-0701-841F](#) [LTL-4221NH129](#) [LTL-42DGNMHDP1](#) [HLMP1521101](#) [HLMP1523802F](#) [HLMP1700101F](#) [HLMP1700104F](#) [SMF-HM1530YD-305](#) [SSF-LXH409SYSUGW](#) [AM2520EHSGD](#) [HLMP1301104F](#) [HLMP1385101F](#) [HLMP1421101](#) [HLMP1503103F](#) [HLMP1503104F](#) [HLMP1700102F](#) [HLMP1700106F](#) [HLMP1700107F](#) [HLMP1790101F](#) [HLMP1790103F](#) [LTL-4211NHBP](#) [5390H3](#) [551-2802F](#) [552-0794-810F](#) [553-0222-812F](#) [HT3-BC-T](#) [564-0700-831F](#) [WP59BLGEW](#) [103-3101-1231-403](#) [5502407811F](#) [550-3007-810F](#) [551-3307MF](#) [552080-1](#) [573-2399-100F](#) [5932-927-2701-3F](#) [SMF-HM1530SRD-509](#) [SSF-LXH100MID](#) [SSF-LXH2103SRSDRP](#) [SSF-LXH555USBW](#) [WP937SB/4YGW](#) [WP937EB2EGW](#) [551-0312-802F](#) [553-0110-802F](#) [561-5501-050F](#) [6202T3-5VLC](#) [LTL-307G08A-D](#) [CMD57164](#) [568-2231-313F](#) [568-0102-809F](#) [568-0102-808F](#)