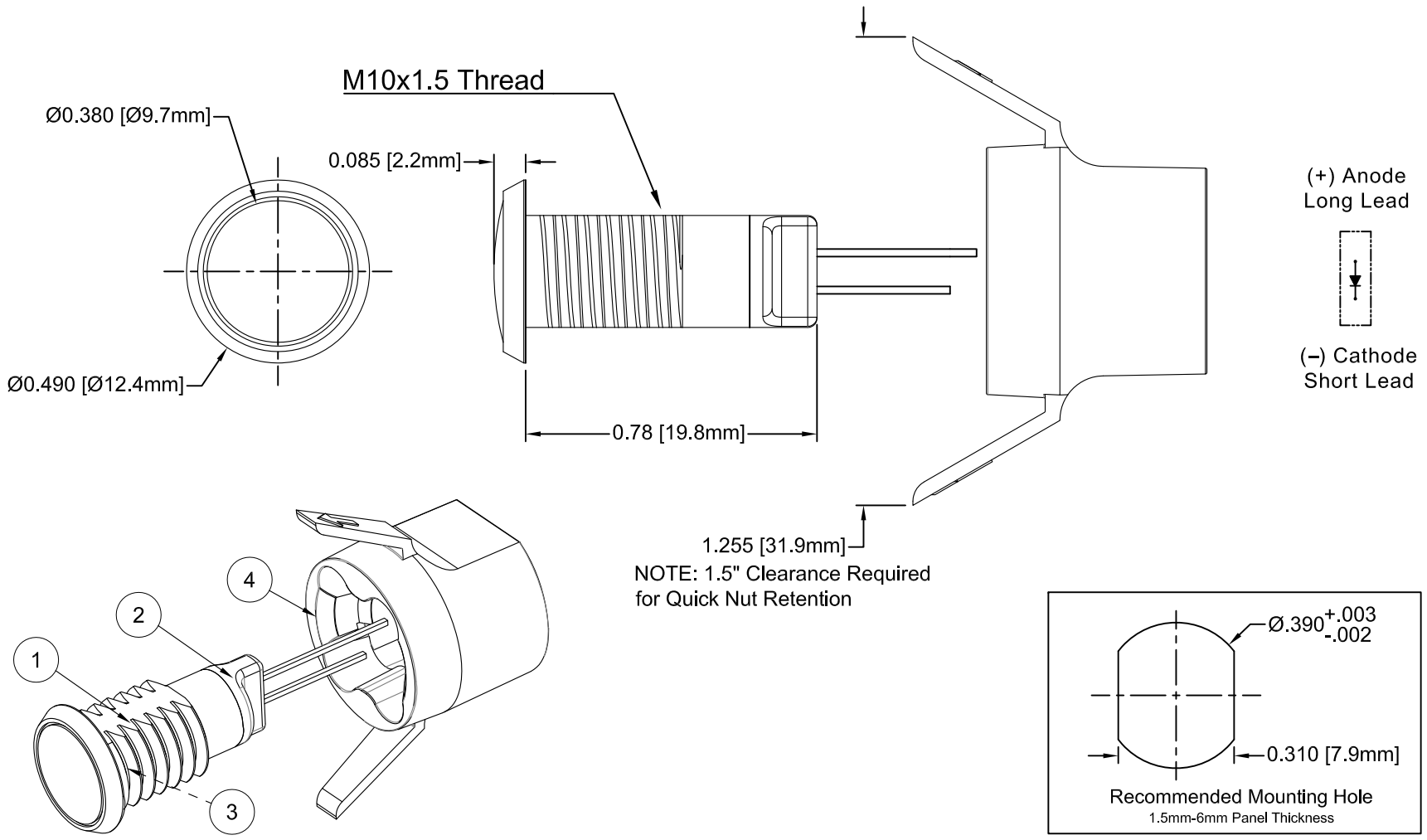


| ITEM | Q'TY | PART NUMBER | PART DESCRIPTION |
|------|------|-------------|---------------------------------------|
| 1 | 1 | PM5-PL | 5mm Polycarbonate Panel Mount Housing |
| 2 | 1 | PM5-HL | 5mm Panel Mount Plug |
| 3 | 1 | 5XX | 5mm LED, SEE SHEET #2 |
| 4 | 1 | PM5-KN | 5mm Quick Nut |

| REV. | DESCRIPTION | DATE | APPROVED |
|------|---------------------|----------|----------|
| A | Engineering Release | 04/12/12 | T. Y. |
| | | | |
| | | | |
| | | | |



NOTE: 1.5" Clearance Required for Quick Nut Retention

- NOTES:
1. TO INSTALL, INSERT HOLDER THROUGH PANEL AND PRESS QUICK NUT ON TO HOLDER AS SHOWN. TABS WILL DEFORM FOR RETENTION
 2. ROHS COMPLIANT
 3. MOUNTING HARDWARE SHIPPED NON-ASSEMBLED
 4. TO REMOVE, TWIST QUICK NUT 90° AND PULL

| | | | |
|--|--------------------------|---|-----------------------|
| STANDARD TOLERANCE (UNLESS OTHERWISE SPECIFIED) | | BIVAR [®] 4 THOMAS, IRVINE, CA. 92618 TEL: (949) 951-8808 FAX: (949) 951-3974 | |
| DECIMALS | ANGULAR | | |
| .X ±.1 | X° ± 1° | TITLE: Quick Mount Panel Mount Indicator | |
| .XX ±.02 | | | |
| .XXX ±.010 | | | |
| DESIGNED: Ty Yin | DATE: 04/12/12 | PART NO: PM5-KXXX | REVISION: A |
| CHECKED: B. Oliver | DATE: 04/12/12 | CAGE CODE : 32559 | SHEET # 1 OF 2 |
| CAD GENERATED DOCUMENT, DO NOT MEASURE DRAWING. | | | |



| REV. | DESCRIPTION | DATE | APPROVED |
|------|--------------|------|----------|
| | SEE SHEET #1 | | |
| | | | |
| | | | |
| | | | |

| Assembly Part Number | LED Part Number | Peak Wave Length λ_p (nm) | Emitted Color | Lens Appearance | Electro-Optical Data @ 20mA | | Viewing Angle |
|----------------------|-----------------|-----------------------------------|---------------|-----------------|-----------------------------|--------------|---------------|
| | | | | | Typ Vf (VDC) | LED Iv (mcd) | |
| | | | | | TYP | TYP | |
| PM5-KAD | 5AD | 605 | AMBER | WHITE DIFFUSED | 2.0 | 25 | 120 |
| PM5-KBWD | 5BWD0.345 | 430 | BLUE | WHITE DIFFUSED | 4.0 | 200 | 120 |
| PM5-KGD | 5SGD | 568 | GREEN | WHITE DIFFUSED | 2.1 | 30 | 120 |
| PM5-KHD | 5HD | 625 | HE RED | WHITE DIFFUSED | 2.0 | 25 | 120 |
| PM5-KPGD | 5PGD | 555 | PURE GREEN | WHITE DIFFUSED | 2.2 | 10 | 120 |
| PM5-KRD | 5SRD | 645 | RED | WHITE DIFFUSED | 1.7 | 40 | 120 |
| PM5-KYD | 5SYD | 590 | YELLOW | WHITE DIFFUSED | 2.0 | 300 | 120 |

| Assembly Part Number | LED Part Number | Color Temperature | Emitted Color | Lens Appearance | Electro-Optical Data @ 20mA | | Viewing Angle |
|----------------------|-----------------|-------------------|---------------|-----------------|-----------------------------|--------------|---------------|
| | | | | | Typ Vf (VDC) | LED Iv (mcd) | |
| | | | | | TYP | TYP | |
| PM5-KWD | 5UWD0.660N | 5000K | NEUTRAL WHITE | WHITE DIFFUSED | 3.2 | 600 | 120 |

ABSOLUTE MAXIMUM RATINGS (Ta = 25°C)

MAXIMUM REVERSE VOLTAGE _____ 5V
 MAXIMUM POWER DISSIPATION _____ 150 mW
 OPERATING TEMPERATURE RANGE _____ -30°C ~ 85°C
 STORAGE TEMPERATURE _____ -40°C ~ 85°C

| | | | | |
|---|---------|---|----------------------------------|-----------------------------|
| STANDARD TOLERANCE (UNLESS OTHERWISE SPECIFIED) | |  4 THOMAS, IRVINE, CA. 92618 TEL: (949) 951-8808 FAX: (949) 951-3974 | | |
| DECIMALS | ANGULAR | | | |
|  | | TITLE: Quick-Mount Panel Mount Indicator | | |
| | | DESIGNED: Ty Yin | DATE: 04/12/12 | PART NO: PM5-KXXX |
| CHECKED: B. Oliver | | DATE: 04/12/12 | CAGE CODE : 32559 SHEET # 2 OF 2 | |
| CAD GENERATED DOCUMENT, DO NOT MEASURE DRAWING. | | | | |

X-ON Electronics

Largest Supplier of Electrical and Electronic Components

Click to view similar products for [LED Panel Mount Indicators](#) category:

Click to view products by [Bivar](#) manufacturer:

Other Similar products are found below :

[607-1312-310F](#) [607-3232-140F](#) [6091M1-24V](#) [6091M5-24V](#) [6091M7-24V](#) [821-0331-503](#) [FL2870C8R](#) [FL2950WL7B](#) [FL589WL8R](#)
[H8630FBBA3](#) [DX1091GN](#) [DX1118GN](#) [NL177WL3G](#) [NL276C3G](#) [NL2950BWL3G](#) [NL2950CWL2R](#) [NL589WL2R](#) [NL67C3G](#) [NL67C3R](#)
[2191L1-12V](#) [LE177C5B](#) [LH1048BSWL3702](#) [LH1048BWL3702](#) [LH382A](#) [LHM62B](#) [SSI-LXH387USBD-150](#) [SSI-LXH9ZIC40587](#) [SSP-](#)
[LXS110818BA](#) [FL2950BWL7R](#) [FL2950WL7R](#) [FL2951WL8G](#) [FL2951WL8R](#) [FL589C7R](#) [FL67C7R](#) [FL67WL8G](#) [2191QU7-24V](#) [2191U1-](#)
[12V](#) [2191U5-12V](#) [2191U5-6V](#) [2191U7-12V](#) [249-4167-3734-504F](#) [3990A7](#) [5110F3-12V](#) [MPC5BCW18.0](#) [556-1237-801F](#) [556-1303-808F](#)
[556-1605-808F](#) [556-1705-809F](#) [556-3008-839F](#) [556-3137-304F](#)