

BIVAR

PM5-M124 SERIES

Smart Sensor Metal
Panel Mount Indicators

IP67 Rated



FEATURES AND BENEFITS

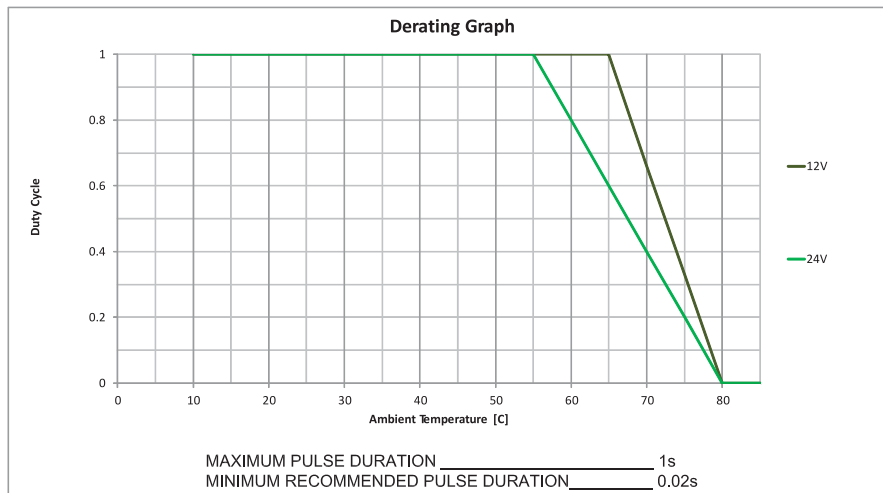
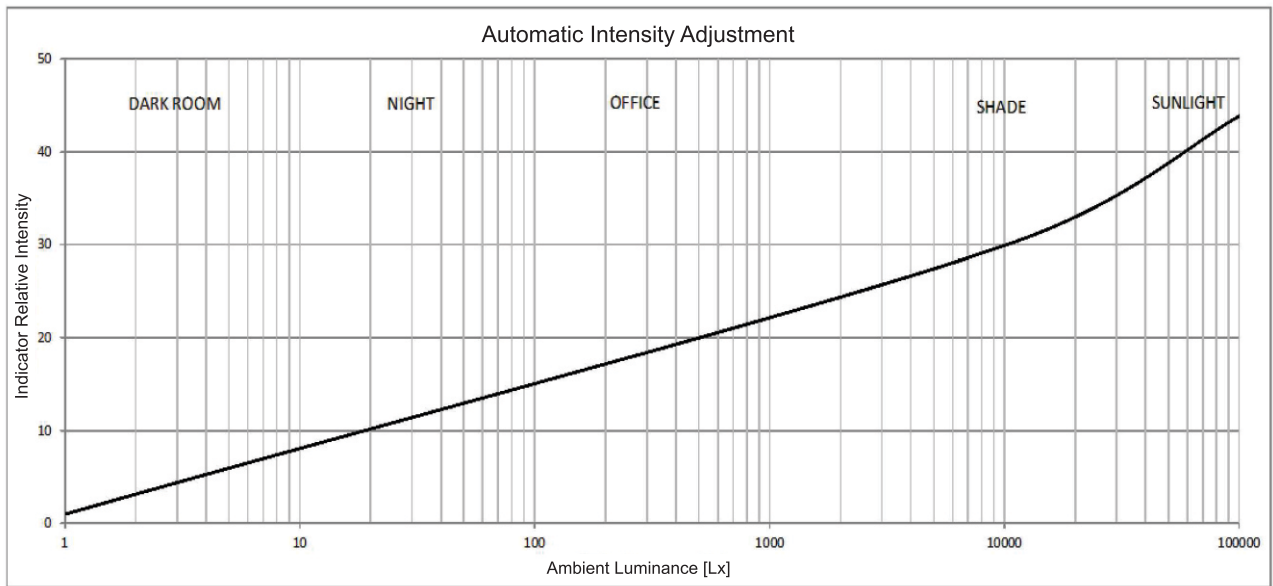
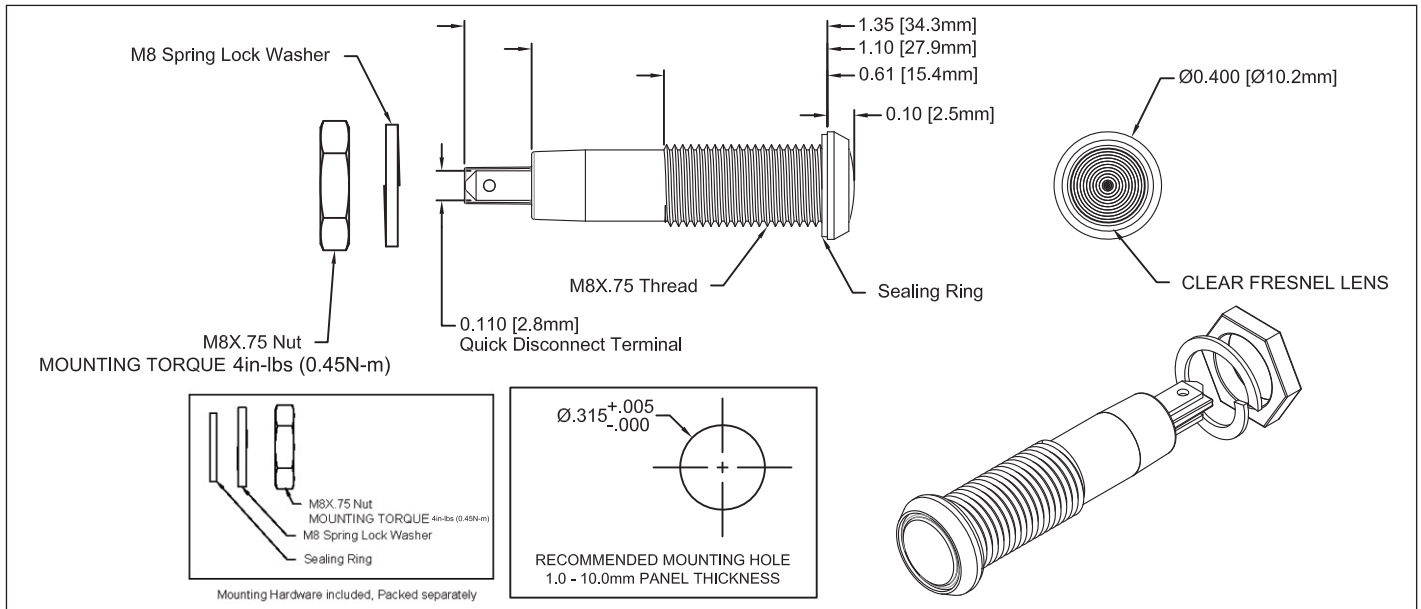
- IP67 rated and RoHS compliant.
- Smart sensor technology automatically senses and adjusts for appropriate intensity. Panel mount indicators are sunlight readable in bright lighting and auto dim in dark lighting.
- Wide viewing angle capabilities with a water clear Fresnel lens (7mm).
- Solid color indication in green, blue, red, and yellow.
- Black metal housing for ruggedized applications (shock and vibration resistant).
- Fast and easy installation with a panel thickness ranging from 0.040" - 0.250" and a standard mounting hole size of 0.315".
- Features non-polarized quick disconnect terminal blades which also work as soldering lugs for wire connection.
- Wide input range (12-24V) suitable for both AC and DC operation.

APPLICATIONS

- Servers and server appliances
- Test and measurement equipment
- Electrical and control instrument panels
- Military and utility vehicle dashboards
- Commercial and communication control boxes
- Wireless and power line infrastructure
- Water and waste treatment equipment

Part Number	Dominant Wave Length (nm)	Emitted Color	Lens Appearance	Voltage	Typical LED Intensity Iv(mcd) @ 0Lx	Viewing Angle
PM5-M124-BLU	465	Blue	Water Clear	12-24 VAC/VDC	20	100°
PM5-M124-GRN	530	Green	Water Clear	12-24 VAC/VDC	20	100°
PM5-M124-RED	625	Red	Water Clear	12-24 VAC/VDC	20	100°
PM5-M124-YLW	590	Yellow	Water Clear	12-24 VAC/VDC	20	100°

SPECIFICATIONS



X-ON Electronics

Largest Supplier of Electrical and Electronic Components

Click to view similar products for [LED Panel Mount Indicators](#) category:

Click to view products by [Bivar](#) manufacturer:

Other Similar products are found below :

[607-3232-140F](#) [821-0331-503](#) [FL2870C8R](#) [FL2950WL7B](#) [FL2950WL8G](#) [FL589WL8R](#) [FL67C8R](#) [H8630FBBA3](#) [NL177WL2A](#)
[NL177WL3G](#) [NL276C2A](#) [NL2950BWL3G](#) [NL589WL2R](#) [NL67C2C](#) [NL67C3R](#) [C480AABG3](#) [PB22BM41K](#) [PB22SIM40Y](#)
[PB22SKRS31KC](#) [L32R-R2-2311](#) [L3353-MWRG](#) [L39UR-R24-2111](#) [L58D-G2-W](#) [L58D-Y2-W](#) [L59D-R12-W](#) [L59UD-R12-W](#) [L625DG](#)
[L625DR](#) [LE177WL39007](#) [LH1048BSWL3702](#) [LH1048BWL3702](#) [LH382A](#) [LH677G](#) [LHM628A](#) [FL276WL7R](#) [FL2950BWL7R](#)
[FL2950WL7R](#) [FL2950WL8R](#) [FL2950WL8R-12](#) [FL2951WL8G](#) [FL2951WL8R](#) [FL589C7R](#) [FL67WL8G](#) [MPC5BCW18.0](#) [556-1605-808F](#)
[556-1705-809F](#) [556-3008-839F](#) [558-0201-818F](#) [559-0001-813F](#) [559-1301-801F](#)