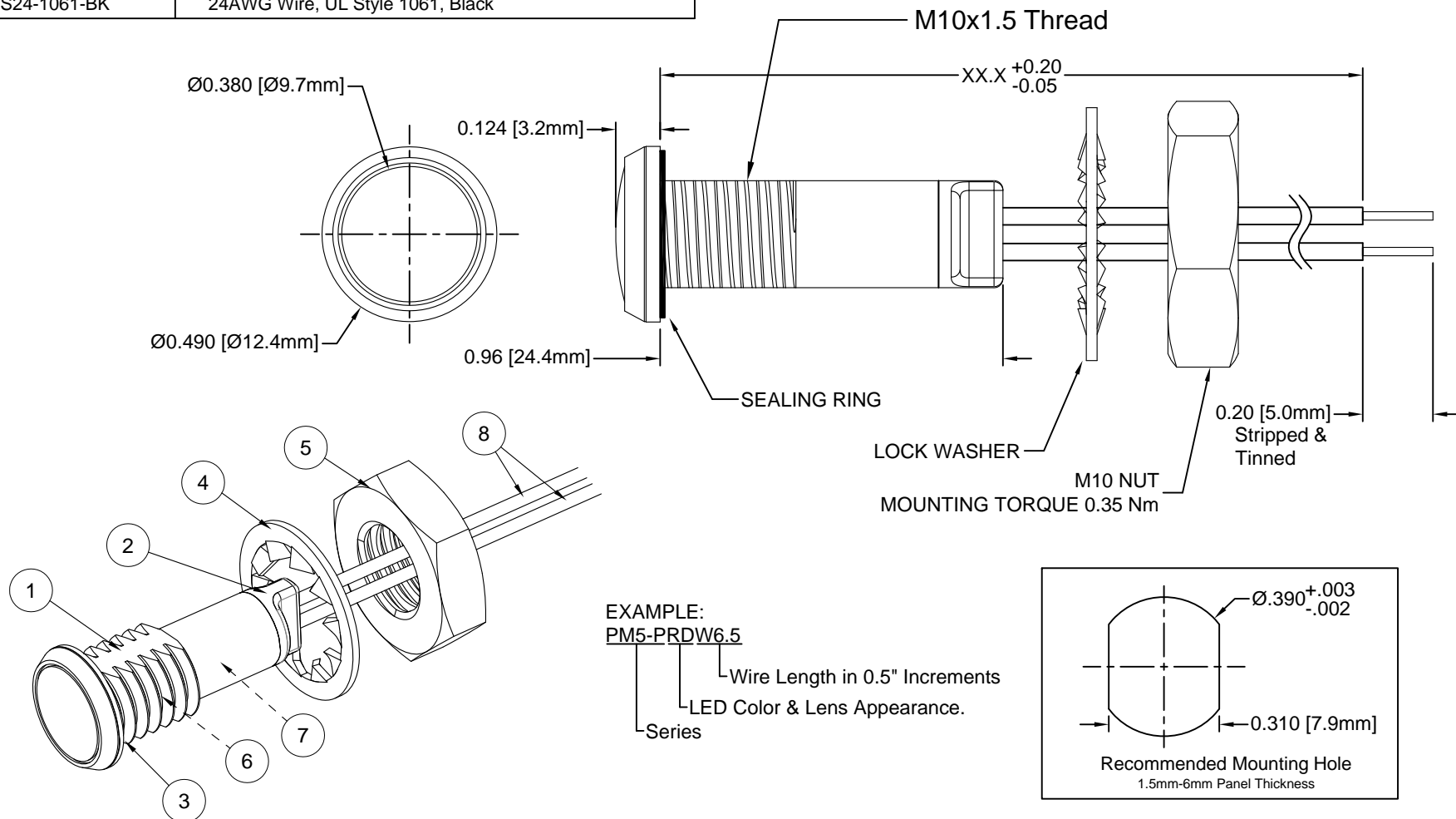


| ITEM | Q'TY | PART NUMBER | PART DESCRIPTION |
|------|------|---------------|------------------------------------------------|
| 1 | 1 | PM5-PE | 5mm Polycarbonate Panel Mount Extended Housing |
| 2 | 1 | PM5-HP | 5mm Panel Mount Wide Range Plug |
| 3 | 1 | PM5-VS | 5mm Sealing Ring |
| 4 | 1 | WASH-1008 | 10mm Internal Tooth Lock Washer |
| 5 | 1 | NUT-1003 | 10mm Thin Nut |
| 6 | 1 | 5XX | 5mm LED, SEE SHEET #2 |
| 7 | 1 | PCBA-1081 | 8~48V Universal Power Board |
| 8 | 2 | BWS24-1061-BK | 24AWG Wire, UL Style 1061, Black |

| REV. | DESCRIPTION | DATE | APPROVED |
|------|-------------------------------------|----------|----------|
| A | Engineering Release | 04/12/12 | T. Y. |
| B | Updated Descriptions | 03/21/13 | T. Y. |
| C | Updated LED Optical Characteristics | 09/15/15 | J. C. |
| | | | |



NOTES:

1. SEALED TO IP67 RATING
2. WIDE RANGE VOLTAGE INPUT, 8-48 VAC/VDC
3. BI-POLAR OPERATION
4. ROHS COMPLIANT
5. MOUNTING HARDWARE SHIPPED NON-ASSEMBLED
6. INSERT SEALING RING ON PANEL MOUNT PRIOR TO PANEL INSERTION

| | | | | | |
|----------------------------------------------------|---------|-----------------------------------------------------------------------------------------------------|-----------------------|-------------------------------|-----------------------|
| STANDARD TOLERANCE (UNLESS OTHERWISE SPECIFIED) | | BIVAR [®] 4 THOMAS, IRVINE, CA. 92618 TEL: (949) 951-8808 FAX: (949) 951-3974 | | | |
| DECIMALS | ANGULAR | | | | |
| .X ± .1 | X° ± 1° | TITLE: IP67 Rated Panel Mount Indicator w/ Wire | | | |
| .XX ± .02 | | | | | |
| .XXX ± .010 | | DESIGNED: T. Yin | DATE: 04/12/12 | PART NO: PM5-PXXXWXX.X | REVISION: C |
| CHECKED: B. Oliver | | DATE: 04/12/12 | | CAGE CODE : 32559 | SHEET # 1 OF 2 |
| CAD GENERATED DOCUMENT. DO NOT MEASURE DRAWING. | | | | | |


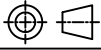
| REV. | DESCRIPTION | DATE | APPROVED |
|------|--------------|------|----------|
| | SEE SHEET #1 | | |
| | | | |
| | | | |
| | | | |

| Assembly Part Number | LED Part Number | Peak Wave Length λ_p (nm) | Emitted Color | Lens Appearance | Electro-Optical Data @ 20mA | | Viewing Angle |
|----------------------|-----------------|-----------------------------------|---------------|-----------------|-----------------------------|--------------|---------------|
| | | | | | Typ Vf (VAC/VDC) | LED Iv (mcd) | |
| | | | | | TYP | TYP | |
| PM5-PADWXX.X | 5AD | 605 | AMBER | WHITE DIFFUSED | 8-48 | 25 | 120 |
| PM5-PBWDWXX.X | 5BWD0.345 | 430 | BLUE | WHITE DIFFUSED | 8-48 | 1000 | 120 |
| PM5-PGDWXX.X | 5SGD | 568 | GREEN | WHITE DIFFUSED | 8-48 | 30 | 120 |
| PM5-PHDWXX.X | 5HD | 625 | HE RED | WHITE DIFFUSED | 8-48 | 25 | 120 |
| PM5-PPGDWXX.X | 5PGD | 555 | PURE GREEN | WHITE DIFFUSED | 8-48 | 10 | 120 |
| PM5-PRDWXX.X | 5SRD | 645 | RED | WHITE DIFFUSED | 8-48 | 40 | 120 |
| PM5-PYDWXX.X | 5SYD | 590 | YELLOW | WHITE DIFFUSED | 8-48 | 300 | 120 |

| Assembly Part Number | LED Part Number | Color Temperature | Emitted Color | Lens Appearance | Electro-Optical Data @ 20mA | | Viewing Angle |
|----------------------|-----------------|-------------------|---------------|-----------------|-----------------------------|--------------|---------------|
| | | | | | Typ Vf (VAC/VDC) | LED Iv (mcd) | |
| | | | | | TYP | TYP | |
| PM5-PWDWXX.X | 5UWD0.660N | 5000K | NEUTRAL WHITE | WHITE DIFFUSED | 8-48 | 1125 | 120 |

ABSOLUTE MAXIMUM RATINGS (Ta = 25°C)

MAXIMUM POWER DISSIPATION _____ 400 mW
 OPERATING TEMPERATURE RANGE _____ -30°C ~ 85°C
 STORAGE TEMPERATURE _____ -40°C ~ 85°C

| | | | |
|---------------------------------------------------------------------------------------------|--------------------------|--------------------------------------------------------------------------------------------------------------------------------------------------------------------|-----------------------|
| STANDARD TOLERANCE (UNLESS OTHERWISE SPECIFIED) DECIMALS ANGULAR | |  4 THOMAS, IRVINE, CA. 92618 TEL: (949) 951-8808 FAX: (949) 951-3974 | |
|  | | | |
| DESIGNED: T. Yin | DATE: 04/12/12 | TITLE: IP67 Rated Panel Mount Indicator w/ Wire | |
| CHECKED: B. Oliver | DATE: 04/12/12 | PART NO: PM5-PXXXWXX.X | REVISION: C |
| | | CAGE CODE : 32559 | SHEET # 2 OF 2 |
| CAD GENERATED DOCUMENT. DO NOT MEASURE DRAWING. | | | |

X-ON Electronics

Largest Supplier of Electrical and Electronic Components

Click to view similar products for [LED Panel Mount Indicators](#) category:

Click to view products by [Bivar](#) manufacturer:

Other Similar products are found below :

[607-3232-140F](#) [821-0331-503](#) [FL2870C8R](#) [FL2950WL7B](#) [FL2950WL8G](#) [FL589WL8R](#) [FL67C8R](#) [H8630FBBA3](#) [NL177WL2A](#)
[NL177WL3G](#) [NL276C2A](#) [NL2950BWL3G](#) [NL589WL2R](#) [NL67C2C](#) [NL67C3R](#) [C480AABG3](#) [PB22BM41K](#) [PB22SIM40Y](#)
[PB22SKRS31KC](#) [L32R-R2-2311](#) [L3353-MWRG](#) [L39UR-R24-2111](#) [L58D-G2-W](#) [L58D-Y2-W](#) [L59D-R12-W](#) [L59UD-R12-W](#) [L625DG](#)
[L625DR](#) [LE177WL39007](#) [LE2821H5G](#) [LH1048BSWL3702](#) [LH1048BWL3702](#) [LH382A](#) [LH677G](#) [LHM628A](#) [FL276WL7R](#)
[FL2950BWL7R](#) [FL2950WL7R](#) [FL2950WL8R](#) [FL2950WL8R-12](#) [FL2951WL8G](#) [FL2951WL8R](#) [FL589C7R](#) [FL67WL8G](#) [MPC5BCW18.0](#)
[556-1605-808F](#) [556-1705-809F](#) [556-3008-839F](#) [558-0201-818F](#) [559-0001-813F](#)