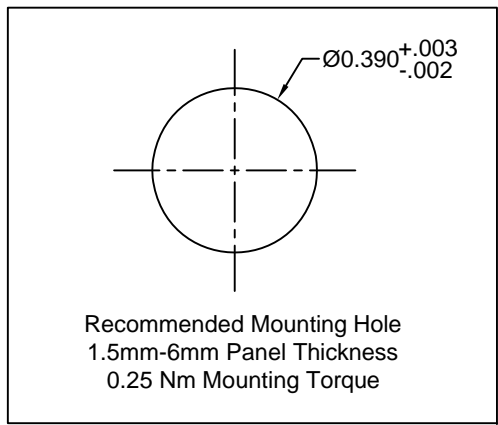
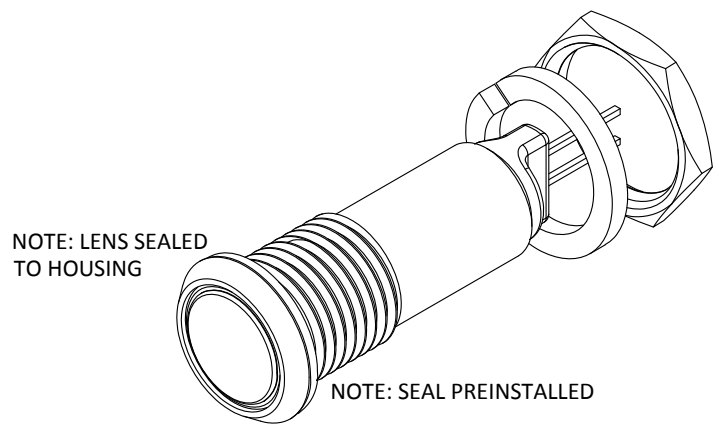
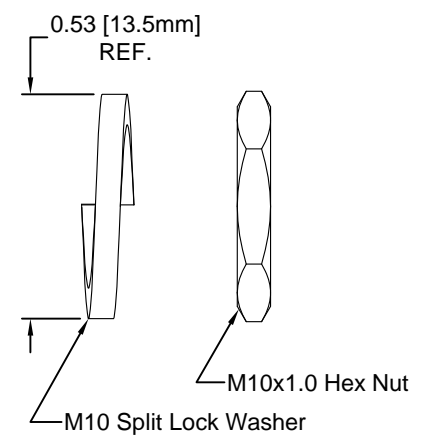
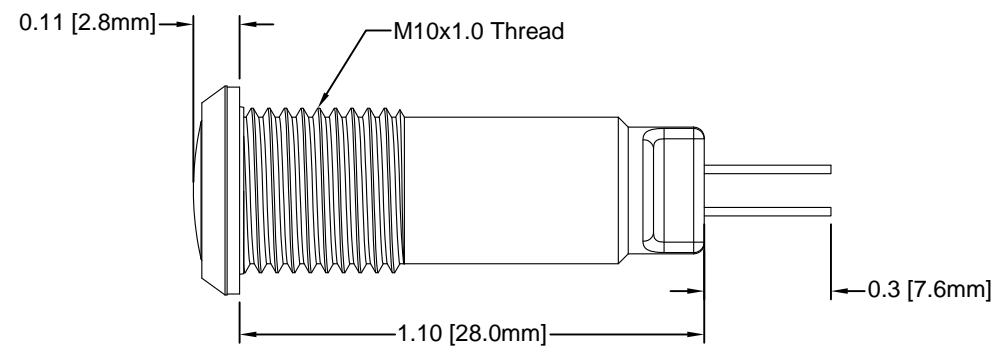
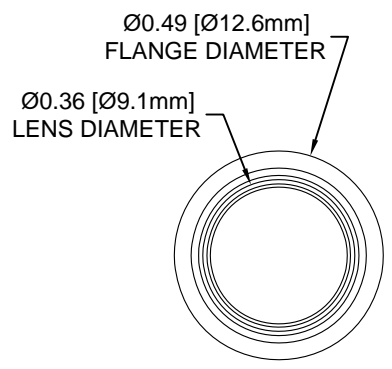


REV.	DESCRIPTION	DATE	APPROVED
A	Engineering Release	04/29/14	J. C.
B	Updated LED Optical Characteristics	09/15/15	J. C.



EXAMPLE:
PM5-PRGD
 LED Color Series

- NOTES:**
1. SEALED TO IP67 RATING
 2. ROHS COMPLIANT
 3. MOUNTING HARDWARE SHIPPED NON-ASSEMBLED
 4. BIPOLAR OPERATION
 5. WIDE RANGE VOLTAGE INPUT, SEE SHEET #2

STANDARD TOLERANCE (UNLESS OTHERWISE SPECIFIED)		 4 THOMAS, IRVINE, CA. 92618 TEL: (949) 951-8808 FAX: (949) 951-3974	
DECIMALS	ANGULAR		
.X ± .1	X° ± 1°	 TITLE: IP67 Rated Panel Mount Indicator	REVISION: B
.XX ± .02			
.XXX ± .010		PART NO: PM5-PRXXX	SHEET # 1 OF 2
DESIGNED: Alex Wright	DATE: 03/24/14	CAGE CODE : 32559	
CHECKED: Brian Oliver	DATE: 03/24/14	SHEET # 1 OF 2 CAD GENERATED DOCUMENT. DO NOT MEASURE DRAWING.	


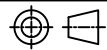
REV.	DESCRIPTION	DATE	APPROVED
	SEE SHEET #1		

Assembly Part Number	LED Part Number	Peak Wave Length λ_p (nm)	Emitted Color	Electro-Optical Data @ 20mA		Viewing Angle
				Typ Vf (VAC/VDC)	Assembly Iv (mcd)	
				TYP	TYP	
PM5-PRAD	5AD	605	AMBER	8-48	9	120
PM5-PRBWD	5BWD0.345	430	BLUE	8-48	350	120
PM5-PRGD	5SGD	568	GREEN	8-48	11	120
PM5-PRRD	5SRD	645	RED	8-48	14	120
PM5-PRYD	5SYD	590	YELLOW	8-48	105	120

Assembly Part Number	LED Part Number	Color Temperature	Emitted Color	Electro-Optical Data @ 20mA		Viewing Angle
				Typ Vf (VAC/VDC)	Assembly Iv (mcd)	
				TYP	TYP	
PM5-PRWD	5UWD0.660N	5000K	NEUTRAL WHITE	8-48	394	120

ABSOLUTE MAXIMUM RATINGS (Ta = 25°C)

MAXIMUM POWER DISSIPATION _____ 400 mW
 OPERATING TEMPERATURE RANGE _____ -30°C ~ 85°C
 STORAGE TEMPERATURE _____ -40°C ~ 85°C

STANDARD TOLERANCE (UNLESS OTHERWISE SPECIFIED) DECIMALS ANGULAR		 4 THOMAS, IRVINE, CA. 92618 TEL: (949) 951-8808 FAX: (949) 951-3974	
			
DESIGNED: Alex Wright	DATE: 03/24/14	TITLE: IP67 Rated Panel Mount Indicator	REVISION: B
CHECKED: Brian Oliver	DATE: 03/24/14	PART NO: PM5-PRXXX	CAGE CODE : 32559 SHEET # 2 OF 2
CAD GENERATED DOCUMENT. DO NOT MEASURE DRAWING.			

X-ON Electronics

Largest Supplier of Electrical and Electronic Components

Click to view similar products for [LED Panel Mount Indicators](#) category:

Click to view products by [Bivar](#) manufacturer:

Other Similar products are found below :

[607-3232-140F](#) [821-0331-503](#) [FL2870C8R](#) [FL2950WL7B](#) [FL2950WL8G](#) [FL589WL8R](#) [FL67C8R](#) [H8630FBBA3](#) [NL177WL2A](#)
[NL177WL3G](#) [NL276C2A](#) [NL2950BWL3G](#) [NL589WL2R](#) [NL67C2C](#) [NL67C3R](#) [C480AABG3](#) [PB22BM41K](#) [PB22SIM40Y](#)
[PB22SKRS31KC](#) [L32R-R2-2311](#) [L3353-MWRG](#) [L39UR-R24-2111](#) [L58D-G2-W](#) [L58D-Y2-W](#) [L59D-R12-W](#) [L59UD-R12-W](#) [L625DG](#)
[L625DR](#) [LE177WL39007](#) [LE2821H5G](#) [LH1048BSWL3702](#) [LH1048BWL3702](#) [LH382A](#) [LH677G](#) [LHM628A](#) [FL276WL7R](#)
[FL2950BWL7R](#) [FL2950WL7R](#) [FL2950WL8R](#) [FL2950WL8R-12](#) [FL2951WL8G](#) [FL2951WL8R](#) [FL589C7R](#) [FL67WL8G](#) [MPC5BCW18.0](#)
[556-1605-808F](#) [556-1705-809F](#) [556-3008-839F](#) [558-0201-818F](#) [559-0001-813F](#)