

PCB ASSEMBLY AIDS

Printed Circuit Board Hole Plugs

- Prevents solder from reaching top of PCBs
- Simple press-in use without tools, easy to remove by hand
- Withstands wave, dip or hand soldering temperatures; will not contaminate solder
- Low in cost, re-usable, available from stock
- 9 Standard sizes fit holes from .016" - .500" (.41-12.7) diameter

Designed to prevent solder from flowing through unused holes in PCBs, Bivar's PLUG-O-HOLE™ PCB hole plugs offer an economical solution to keep unwanted solder from reaching the top surfaces of PCBs. Low in cost, these convenient hole plugs are tapered for a snug fit, yet are simple to remove. Made of temperature resistant material, they will withstand flow, dip or hand soldering and are re-usable.

9 Standard sizes, ranging from .016" to .500" diameter, will fit most PCB holes. Protrusion above and below board surfaces will not interfere with solder process baths or conveyors.

Standard Drawing Tolerances:

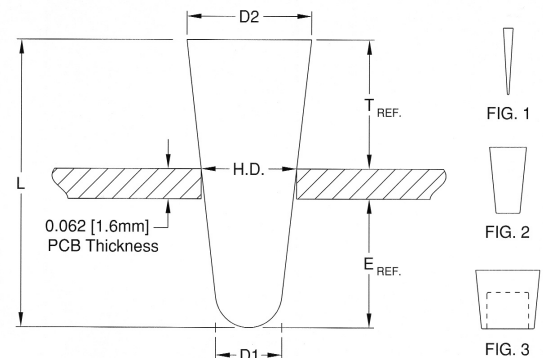
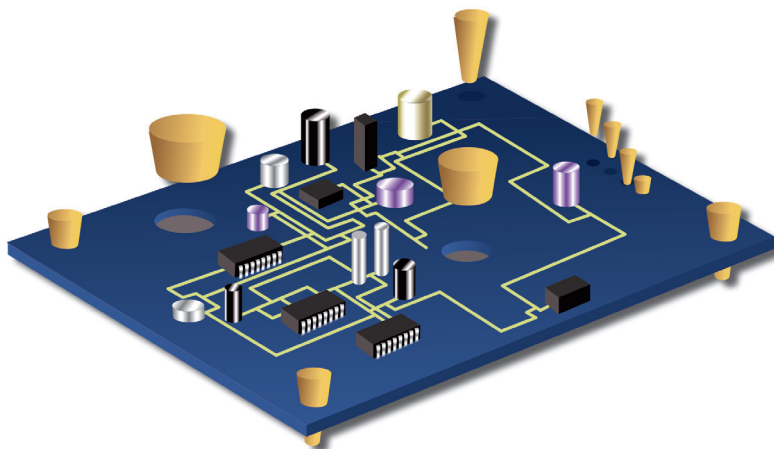
(unless otherwise indicated)

Fractions: $\pm 1/64$ (0.4) .XX = ± 0.01 (0.25)

.X = ± 0.10 (2.5) .XXX = ± 0.005 (0.13)



Part No.	FIG.	D1	H.D.	D2	T	E	L $\pm .015$	Color	Price Code
POH-1	1	0.012 (.03)	0.025 (0.6)	0.047 (1.2)	0.31 (7.9)	0.13 (3.2)	0.500 (12.7)	Black	Z
POH-2	1	0.015 (0.4)	0.050 (1.3)	0.082 (2.1)	0.31 (7.9)	0.17 (4.4)	0.545 (13.8)	Black	Z
POH-3S	2	0.040 (1.0)	0.100 (2.5)	0.160 (4.1)	0.31 (7.9)	0.22 (5.6)	0.585 (14.9)	Black	I
POH-4S	2	0.090 (2.3)	0.150 (3.8)	0.209 (5.3)	0.31 (7.9)	0.22 (5.6)	0.585 (14.9)	Black	K
POH-5S	2	0.140 (3.6)	0.200 (5.1)	0.261 (6.6)	0.31 (7.9)	0.22 (5.6)	0.585 (14.9)	Black	C
POH-6S	2	0.200 (5.1)	0.250 (6.4)	0.309 (7.8)	0.31 (7.9)	0.17 (4.4)	0.540 (13.7)	Black	BB
POH-7S	3	0.261 (6.6)	0.312 (7.9)	0.355 (9.0)	0.25 (6.4)	0.17 (4.4)	0.475 (12.1)	Black	CC
POH-8S	3	0.320 (8.1)	0.375 (9.5)	0.420 (10.7)	0.25 (6.4)	0.17 (4.4)	0.475 (12.1)	Black	EE
POH-9S	3	0.443 (11.3)	0.500 (12.7)	0.539 (13.7)	0.25 (6.4)	0.17 (4.4)	0.475 (12.1)	Black	KK



X-ON Electronics

Largest Supplier of Electrical and Electronic Components

Click to view similar products for [Soldering & Desoldering Stations](#) category:

Click to view products by [Bivar](#) manufacturer:

Other Similar products are found below :

[GS1116](#) [BH-010](#) [T0058768747](#) [CA0202](#) [CA0201](#) [MFR-CA3](#) [WXD2N](#) [Q-7100-9000](#) [T0058757898](#) [WXD2010N](#) [T0058768762](#) [145-2000-](#)
[ESDN](#) [T0058758721N](#) [0008473](#) [WTL1000-1](#) [700-3051-ESD](#) [0051514699N](#) [0051512199N](#) [T0058768725N](#) [MT-688](#) [202485](#) [202250](#) [ZD-](#)
[415R](#) [ZD-415R-H](#) [WELPB102](#) [HR-2550A](#) [T130-1.0I](#) [V61 480*360mm](#) [C245-SK](#) [ECC92420EU](#) [ECC168808EU](#) [BST-S-120](#) [9SS-968B-HG](#)
[5SS-554-POT](#) [5SS-553-POT](#) [5SS-554-H](#) [5SS-553-H](#) [5PK-366NA-T](#) [5SS-552-POT](#) [5SS-551-POT](#) [5SS-552-H](#) [5SS-551-H](#) [508-366A-T](#) [508-](#)
[366D-T](#) [5SS-331N1-H](#) [5SI-131-H](#) [5SI-131-3.2D](#) [5SI-131-I](#) [CVC-7CN0004P](#) [CVC-9CH0025S](#)