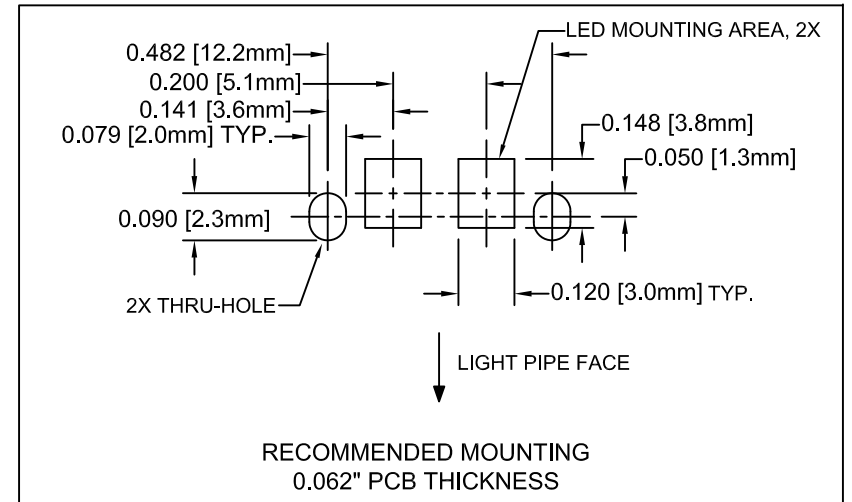
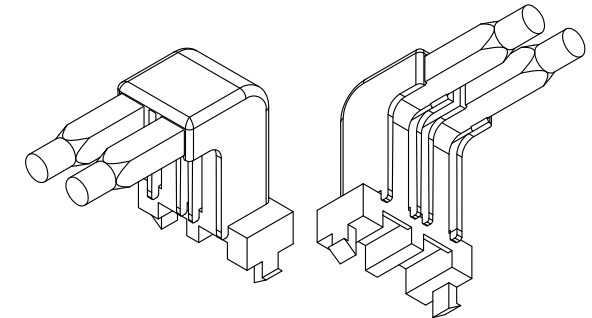
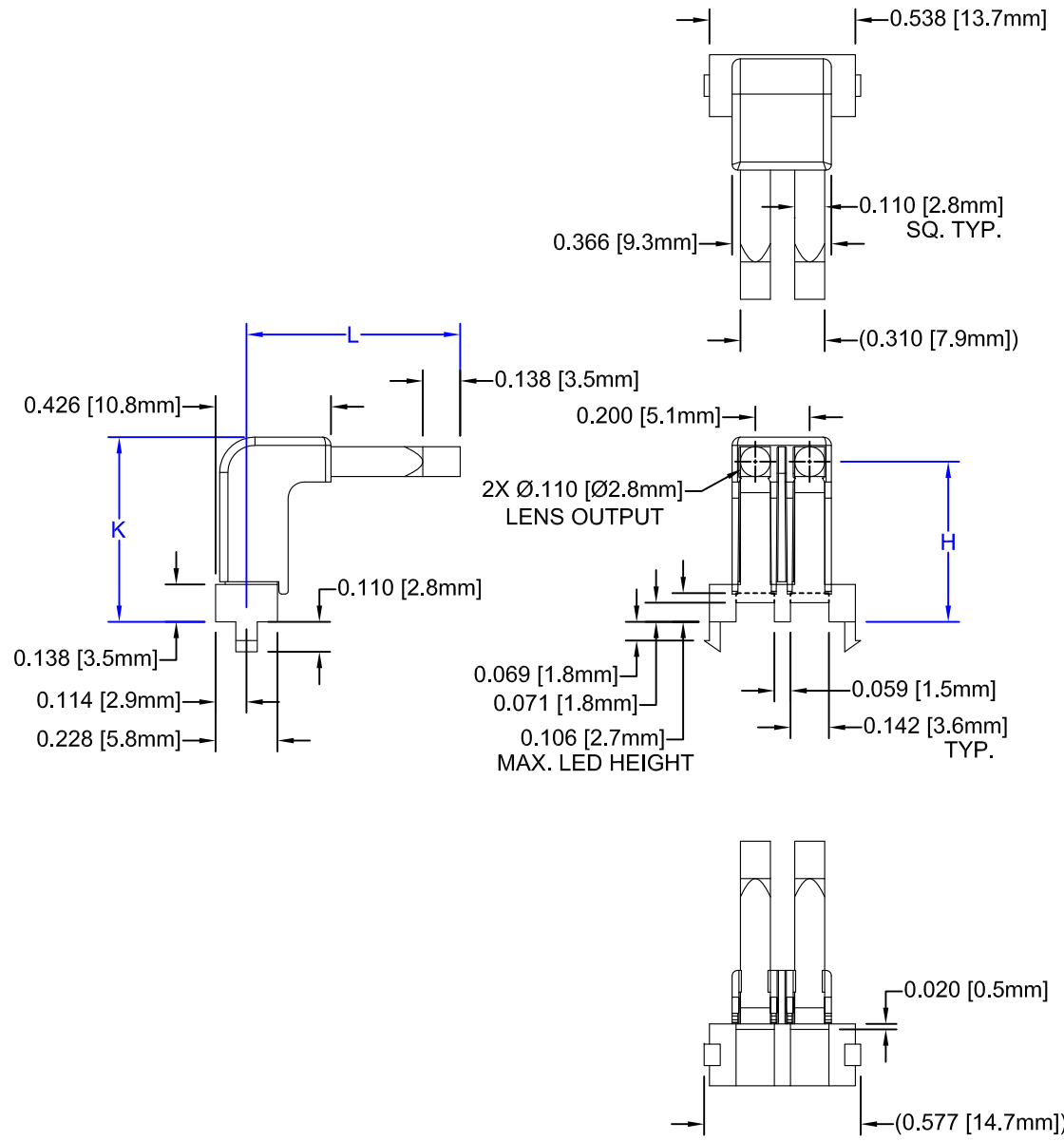


| ITEM | Q'TY | PART NUMBER | PART DESCRIPTION |
|------|------|--------------|--|
| 1 | 1 | LPR2-XXX-XXX | Surface Mount Right Angle Light Pipe, 2.8mm, 2 Station. See Table on 2nd Page |
| 2 | 1 | RLPH2-XXX | LPR Housing, 2 Station, White. See Table on 2nd Page |


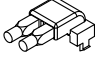


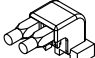
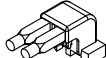

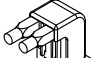

| REV. | DESCRIPTION | DATE | APPROVED |
|------|--|----------|----------|
| A | Engineering Release | 11/06/09 | T. Y. |
| B | Added Overall Height "K" Dim | 03/04/11 | T. Y. |
| C | Added Overall Snap Height Dimension | 08/15/12 | T. Y. |
| D | Added Color Options, Sheet #3 | 02/02/16 | J. C. |
| E | ECO-1066: Updated Mounting Hole Dimensions | 08/11/20 | A. V. |



| STANDARD TOLERANCE (UNLESS OTHERWISE SPECIFIED) | | BIVAR | |
|---|----------------|---|------------------|
| DECIMALS | ANGULAR | 4 THOMAS, IRVINE, CA. 92618 | |
| .X ± .1 | X° ± 1° | TEL: (949) 951-8808 FAX: (949) 951-3974 | |
| .XX ± .01 | | TITLE: RIGHT ANGLE LIGHT PIPE, 2.8MM, 2 STATION | |
| .XXX ± .010 | | PART NO: RLP2-XXX-XXX | |
| DESIGNED: R. Paje | DATE: 11/06/09 | REVISION: E | |
| REVISED: K. Baron | DATE: 08/11/20 | SHEET SIZE: A | CAGE CODE: 32559 |
| CHECKED: A. Valdez | DATE: 08/11/20 | SCALE: 1:1 | SHEET # 1 OF 3 |

CAD GENERATED DOCUMENT, DO NOT MEASURE DRAWING

| | | | |
|------|--------------|------|----------|
| REV. | DESCRIPTION | DATE | APPROVED |
| | SEE SHEET #1 | | |

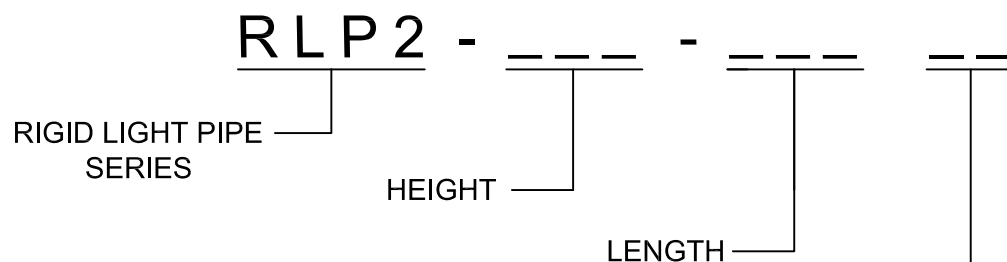
| RLP2-XXX-XXX | | | | | | |
|--------------|----------------|----------------|----------------|--------------|-----------|---|
| ASSY P/N | H | L | K | LPR2-XXX-XXX | RLPH2-XXX | FIGURE |
| RLP2-200-500 | 0.197 [5.0mm] | 0.551 [14.0mm] | 0.287 [7.3mm] | LPR2-200-500 | RLPH2-200 |  |
| RLP2-200-650 | | 0.669 [17.0mm] | | LPR2-200-650 | RLPH2-200 |  |
| RLP2-200-800 | | 0.787 [20.0mm] | | LPR2-200-800 | RLPH2-200 |  |
| RLP2-400-500 | 0.394 [10.0mm] | 0.551 [14.0mm] | 0.484 [12.3mm] | LPR2-400-500 | RLPH2-400 |  |
| RLP2-400-650 | | 0.669 [17.0mm] | | LPR2-400-650 | RLPH2-400 |  |
| RLP2-400-800 | | 0.787 [20.0mm] | | LPR2-400-800 | RPH2-400 |  |
| RLP2-600-500 | 0.591 [15.0mm] | 0.551 [14.0mm] | 0.681 [17.3mm] | LPR2-600-500 | RLPH2-600 |  |
| RLP2-600-650 | | 0.669 [17.0mm] | | LPR2-600-650 | RLPH2-600 |  |
| RLP2-600-800 | | 0.787 [20.0mm] | | LPR2-600-800 | RLPH2-600 |  |

| | | | |
|--|-------|----------------|--------------|
| | | BIVAR | |
| CAGE CODE: | 32559 | PART NO: | RLP2-XXX-XXX |
| SHEET SIZE: | A | REVISION: | E |
| | | SCALE: | 1:1 |
| | | SHEET # 2 OF 3 | |
| CAD GENERATED DOCUMENT, DO NOT MEASURE DRAWING | | | |

OTHER AVAILABLE COLORS

* SEE TABLE FOR ORDERING INFORMATION

| | | | |
|------|--------------|------|----------|
| REV. | DESCRIPTION | DATE | APPROVED |
| | SEE SHEET #1 | | |



| COLOR | Order Code |
|--------|------------|
| BLUE | BE |
| BLACK | BK |
| GREEN | GN |
| GRAY | GY |
| RED | RD |
| YELLOW | YW |

NOTE: LEAVE ORDER CODE BLANK IF NO COLOR IS DESIRED.

- 2. ONLY LIGHT PIPES OF ASSEMBLIES WILL BE DYED.
- 1. PARTS ARE DYED TO COLOR UPON REQUEST.

| | | | |
|---|-------|-------------|--------------|
| | | BVAR | |
| CAGE CODE: | 32559 | PART NO: | RLP2-XXX-XXX |
| SHEET SIZE: | A | SCALE: | 1:1 |
| | | SHEET # | 3 OF 3 |
| REVISION: E | | | |
| <small>CAD GENERATED DOCUMENT, DO NOT MEASURE DRAWING</small> | | | |

X-ON Electronics

Largest Supplier of Electrical and Electronic Components

Click to view similar products for [LED Light Pipes](#) category:

Click to view products by [Bivar](#) manufacturer:

Other Similar products are found below :

[1367627-1](#) [SLP3-300-450-F](#) [SLP3-400-450-R](#) [LPA-C011301S-6](#) [LPF-C011306S](#) [FLP25-1.95](#) [VLP-640-F](#) [LPA-C011301S-5.4](#) [LPA-R051171S-12](#) [LPA-S011331S](#) [515-1027-803F](#) [515-1217F](#) [SLP3-150-300-R](#) [SLP3-500-450-R](#) [515-1064-810F](#) [FLPV-SG](#) [BDL-1187](#) [7511A41](#) [7511A87-500](#) [FLPV-SBC](#) [5151064802F](#) [5151-192-0055-0DF](#) [LPF-R011340S](#) [515-1166-801F](#) [FLPF-6.0](#) [PM4-C1522-3.70](#) [LC-11.25](#) [CLP-1214](#) [515-1064-808F](#) [FLX3_05](#) [515-1192-0025-0DF](#) [HS LC-H-D2/ R2XC1-2 54](#) [515-1192-80-3DF](#) [1282.2600](#) [1296.2004](#) [PBLP-1001-1](#) [SZ1-10.00-A220-F4P54](#) [SZ1-10.00-A220-F4P](#) [LC2-4.1](#) [1296.7042](#) [SF4-2.5-F5P](#) [PLP5-2-625-54](#) [FLP25-13.5](#) [1271.2002](#) [1272.0030](#) [1276.2004](#) [1281.1001-8MM](#) [1282.1300](#) [1296.1034](#) [1296.2022](#)