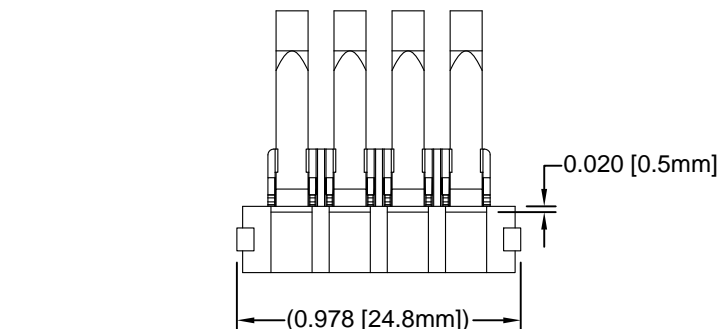
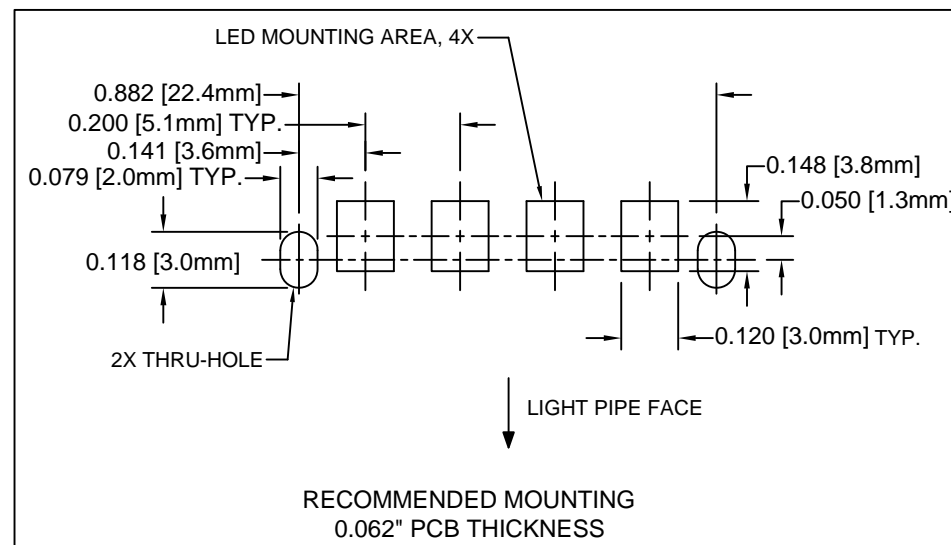
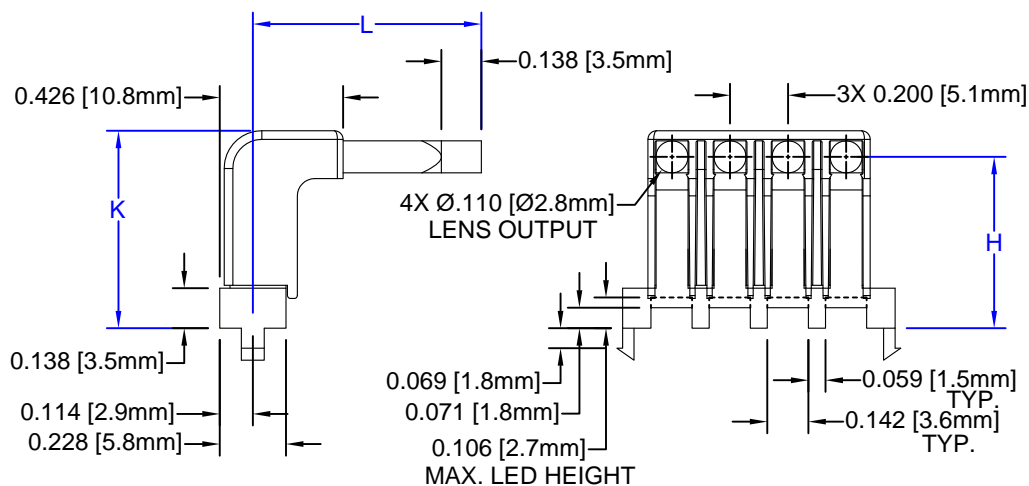
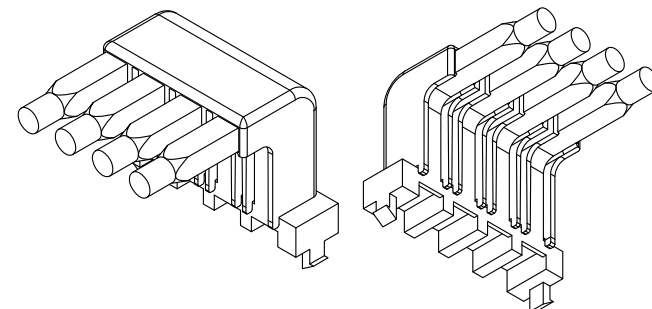
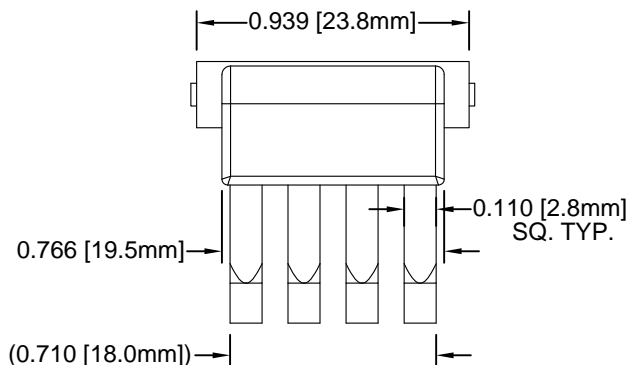


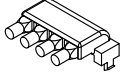
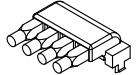
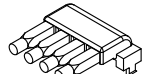
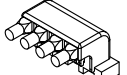
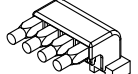
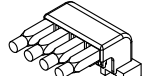
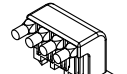
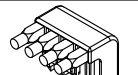
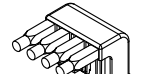
ITEM	QTY	PART NUMBER	PART DESCRIPTION
1	1	LPRX-XXX-XXX	Surface Mount Right Angle Light Pipe, 2.8mm, 4 Station. See Table on 2nd Page
2	1	RLPHX-XXX	LPR Housing, 4 Station, White. See Table on 2nd Page



REV.	DESCRIPTION	DATE	APPROVED
A	Engineering Release	11/06/09	T. Y.
B	Added Overall Height "K" Dim	03/04/11	T. Y.
C	Added Overall Snap Height Dimension	08/15/12	T. Y.
D	Added Color Options, Sheet #3	02/02/16	J. C.



STANDARD TOLERANCE (UNLESS OTHERWISE SPECIFIED)		BIVAR®	
DECIMALS	ANGULAR	4 THOMAS, IRVINE, CA. 92618	
.X ± .1	X° ± 1°	TEL: (949) 951-8808 FAX: (949) 951-3974	
.XX ± .01		TITLE: RIGHT ANGLE LIGHT PIPE, 2.8MM, 4 STATION	
.XXX ± .010		PART NO: RLP4-XXX-XXX	REVISION: D
DESIGNED: Raffy Paje	DATE: 11/06/09	CAGE CODE : 32559	SHEET # 1 OF 3
CHECKED: T. Yin	DATE: 11/06/09	CAD GENERATED DOCUMENT. DO NOT MEASURE DRAWING.	

REV.	DESCRIPTION	DATE	APPROVED
	SEE SHEET #1		

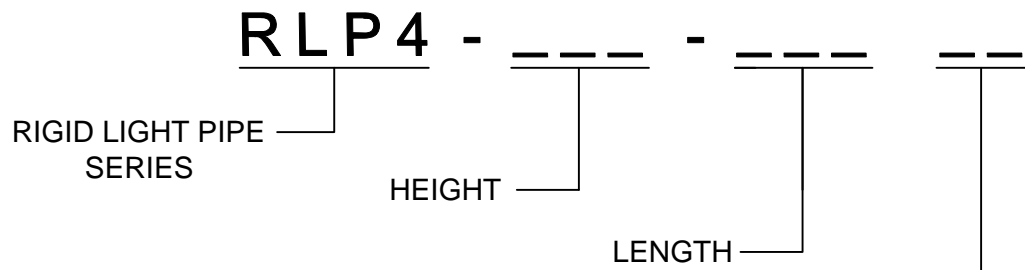
RLP4-XXX-XXX						
ASSY P/N	H	L	K	LPR4-XXX-XXX	RLPH4-XXX	FIGURE
RLP4-200-500	0.197 [5.0mm]	0.551 [14.0mm]	0.287 [7.3mm]	LPR4-200-500	RLPH4-200	
RLP4-200-650		0.669 [17.0mm]		LPR4-200-650	RLPH4-200	
RLP4-200-800		0.787 [20.0mm]		LPR4-200-800	RLPH4-200	
RLP4-400-500	0.394 [10.0mm]	0.551 [14.0mm]	0.484 [12.3mm]	LPR4-400-500	RLPH4-400	
RLP4-400-650		0.669 [17.0mm]		LPR4-400-650	RLPH4-400	
RLP4-400-800		0.787 [20.0mm]		LPR4-400-800	RPH4-400	
RLP4-600-500	0.591 [15.0mm]	0.551 [14.0mm]	0.681 [17.3mm]	LPR4-600-500	RLPH4-600	
RLP4-600-650		0.669 [17.0mm]		LPR4-600-650	RLPH4-600	
RLP4-600-800		0.787 [20.0mm]		LPR4-600-800	RLPH4-600	

STANDARD TOLERANCE (UNLESS OTHERWISE SPECIFIED)		 BIVAR [®] 4 THOMAS, IRVINE, CA. 92618 TEL: (949) 951-8808 FAX: (949) 951-3974	
DECIMALS	ANGULAR		
.X ± .1	X° ± 1°		TITLE: RIGHT ANGLE LIGHT PIPE, 2.8MM, 4 STATION
.XX ± .01			
.XXX ± .010		DESIGNED: Raffy Paje	DATE: 11/06/09
		CHECKED: T. Yin	DATE: 11/06/09
		PART NO: RLP4-XXX-XXX	REVISION: D
		CAGE CODE : 32559	SHEET # 2 OF 3
CAD GENERATED DOCUMENT. DO NOT MEASURE DRAWING.			

OTHER AVAILABLE COLORS

* SEE TABLE FOR ORDERING INFORMATION


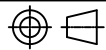
REV.	DESCRIPTION	DATE	APPROVED
	SEE SHEET #1		



COLOR	Order Code
BLUE	BE
BLACK	BK
GREEN	GN
GRAY	GY
RED	RD
YELLOW	YW

NOTE: LEAVE ORDER CODE BLANK IF NO COLOR IS DESIRED.

- 2. ONLY LIGHT PIPES OF ASSEMBLIES WILL BE DYED.
- 1. PARTS ARE DYED TO COLOR UPON REQUEST.

STANDARD TOLERANCE (UNLESS OTHERWISE SPECIFIED) DECIMALS ANGULAR		 4 THOMAS, IRVINE, CA. 92618 TEL: (949) 951-8808 FAX: (949) 951-3974	
			
DESIGNED: K. Aukshunas	DATE: 01/25/16	TITLE: RIGHT ANGLE LIGHT PIPE, 2.8MM, 4 STATION	
CHECKED: J. Chiang	DATE: 01/25/16	PART NO: RLP4-XXX-XXX	REVISION: D
		CAGE CODE : 32559	SHEET # 3 OF 3
CAD GENERATED DOCUMENT. DO NOT MEASURE DRAWING.			

X-ON Electronics

Largest Supplier of Electrical and Electronic Components

Click to view similar products for [LED Light Pipes](#) category:

Click to view products by [Bivar](#) manufacturer:

Other Similar products are found below :

[1367627-1](#) [SLP3-300-450-F](#) [SLP3-400-450-R](#) [LPA-C011301S-6](#) [LPF-C011306S](#) [FLP25-1.95](#) [VLP-640-F](#) [LPA-C011301S-5.4](#) [LPA-R051171S-12](#) [LPA-S011331S](#) [515-1027-803F](#) [515-1217F](#) [SLP3-150-300-R](#) [SLP3-500-450-R](#) [515-1064-810F](#) [FLPV-SG](#) [BDL-1187](#) [7511A41](#) [7511A87-500](#) [FLPV-SBC](#) [5151064802F](#) [5151-192-0055-0DF](#) [LPF-R011340S](#) [515-1166-801F](#) [FLPF-6.0](#) [PM4-C1522-3.70](#) [LC-11.25](#) [CLP-1214](#) [515-1064-808F](#) [FLX3_05](#) [515-1192-0025-0DF](#) [HS LC-H-D2/ R2XC1-2 54](#) [515-1192-80-3DF](#) [1282.2600](#) [1296.2004](#) [PBLP-1001-1](#) [SZ1-10.00-A220-F4P54](#) [SZ1-10.00-A220-F4P](#) [LC2-4.1](#) [1296.7042](#) [SF4-2.5-F5P](#) [PLP5-2-625-54](#) [FLP25-13.5](#) [1271.2002](#) [1272.0030](#) [1276.2004](#) [1281.1001-8MM](#) [1282.1300](#) [1296.1034](#) [1296.2022](#)