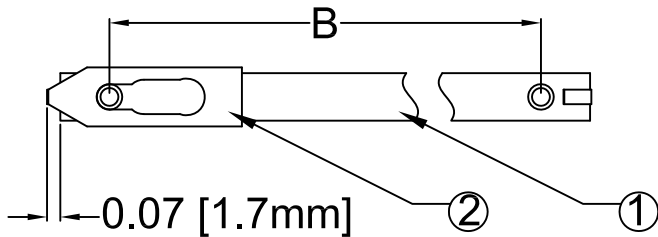
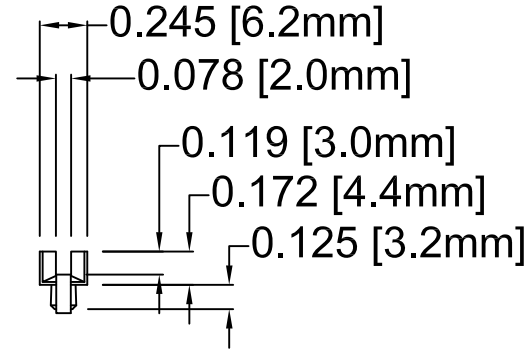
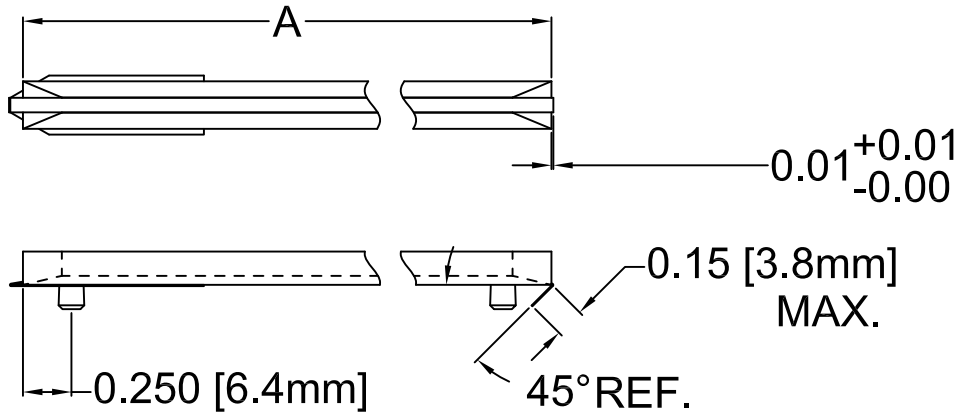
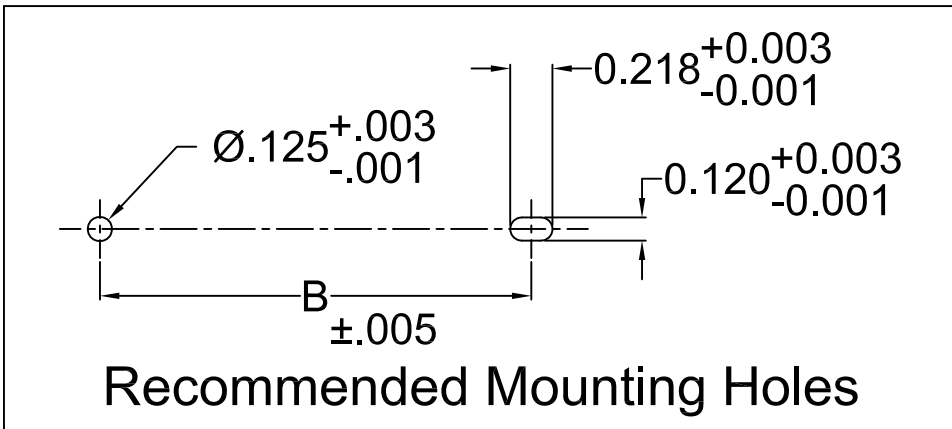


ITEM	Q'TY	PART NUMBER	PART DESCRIPTION
1	1	S-XXX-X	Anti-Static Press-In Card Guide
2	1	CS-600-F XX.XX	Conductive Insert

REV.	DESCRIPTION	DATE	APPROVED
B	Engineering Update w/o Changes	03/01/04	M. C.
C	Unit Conversion Error	12/17/07	M. C.
D	CI Length (.15" MAX) Update	10/06/09	T. Y.



Part No.	Conductive Insert	A		B	
		±0.030 [±0.76mm]		±0.024 [±0.61mm]	
S-250	CS-600-F 10.75	2.538 (64.5mm)		2.030 (51.6mm)	
S-300	CS-600-F 10.75	3.045 (77.3mm)		2.538 (64.5mm)	
S-350	CS-600-F 10.75	3.553 (90.2mm)		3.045 (77.3mm)	
S-400	CS-600-F 10.75	4.060 (103.1mm)		3.553 (90.2mm)	
S-450	CS-600-F 10.75	4.568 (116.0mm)		4.060 (103.1mm)	
S-500	CS-600-F 10.75	5.075 (128.9mm)		4.568 (116.0mm)	
S-550	CS-600-F 10.75	5.583 (141.8mm)		5.075 (128.9mm)	
S-600	CS-600-F 10.75	6.090 (154.7mm)		5.583 (141.8mm)	
S-650	CS-600-F 10.75	6.598 (167.6mm)		6.090 (154.7mm)	
S-700	CS-600-F 10.75	7.105 (180.5mm)		6.598 (167.6mm)	
S-750	CS-600-F 10.75	7.613 (193.4mm)		7.105 (180.5mm)	
S-800	CS-600-F 10.75	8.120 (206.2mm)		7.613 (193.4mm)	
S-850	CS-600-F 14.00	8.628 (219.2mm)		8.120 (206.2mm)	



STANDARD TOLERANCE (UNLESS OTHERWISE SPECIFIED)		BIVAR [®] 4 THOMAS, IRVINE, CA. 92618 TEL: (949) 951-8808 FAX: (949) 951-3974	
DECIMALS	ANGULAR		
.X ±.1	X° ± 1°	TITLE: ANTI-STATIC PRESS-IN CARD GUIDEW/ CONDUCTIVE INSERT PART NO: S-XXX-CI REVISION: D	
.XX ±.01			
.XXX ±.005			
DESIGNED: Michael Chen	DATE: 01/21/03	CAGE CODE : 32559 SHEET # 1 OF 1 <small>CAD GENERATED DOCUMENT, DO NOT MEASURE DRAWING.</small>	
CHECKED: D. Green	DATE: 01/21/03		

X-ON Electronics

Largest Supplier of Electrical and Electronic Components

Click to view similar products for [Racks & Rack Cabinet Accessories](#) category:

Click to view products by [Bivar](#) manufacturer:

Other Similar products are found below :

[CR-1727](#) [M00-PLN](#) [F2420](#) [F2424](#) [8310-1032-SS](#) [9104](#) [PLFF2000](#) [PLFF6000](#) [GP216](#) [PTFA60000LG](#) [H-9163-B](#) [AC220-84-1](#) [HEH050BA](#)
[1427C3](#) [BAS-5104](#) [N-700-2](#) [190-002](#) [HTL10](#) [HTS10](#) [PC-118](#) [PC-780L](#) [PC-79](#) [PC-800](#) [SC4-28](#) [F3024](#) [AKWAMT](#) [PLFF1000](#) [GRPB12PG](#)
[CG3-340S/12](#) [2CWDP36](#) [2CWDP48](#) [2SSHINGE](#) [CP-001BK](#) [CPL19431LG1](#) [R570-004-107](#) [M6123-4007-SS](#) [TS170](#) [531300535](#) [BRX-](#)
[12290](#) [C4BD3077SBK1](#) [UPS 7-17-14 PLAIN](#) [LP40](#) [5261304-07](#) [CCA26-44-01](#) [706-102](#) [CG3-160G](#) [7112C-PLN ALUM](#) [CM10](#) [TS81](#) [7142](#)