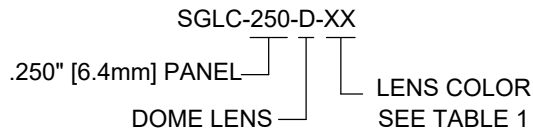


NOTES:

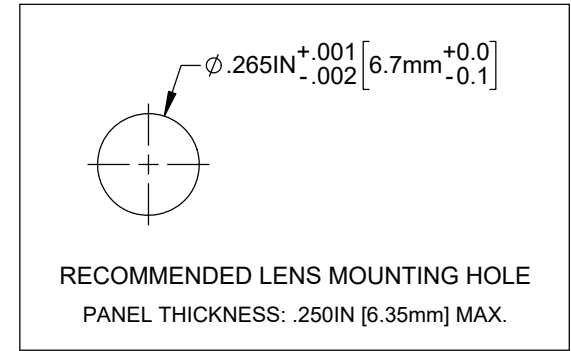
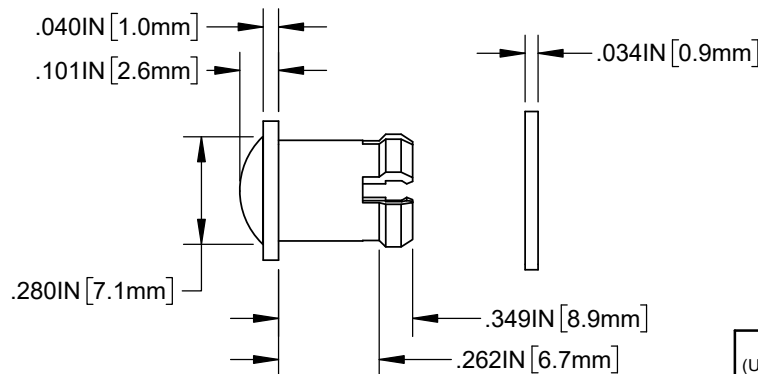
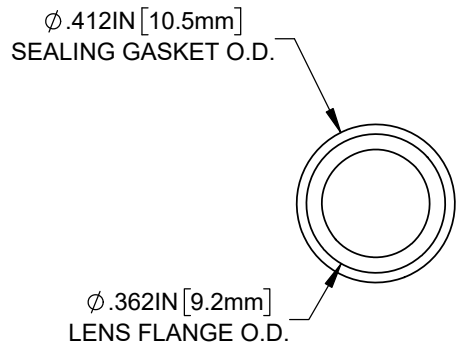
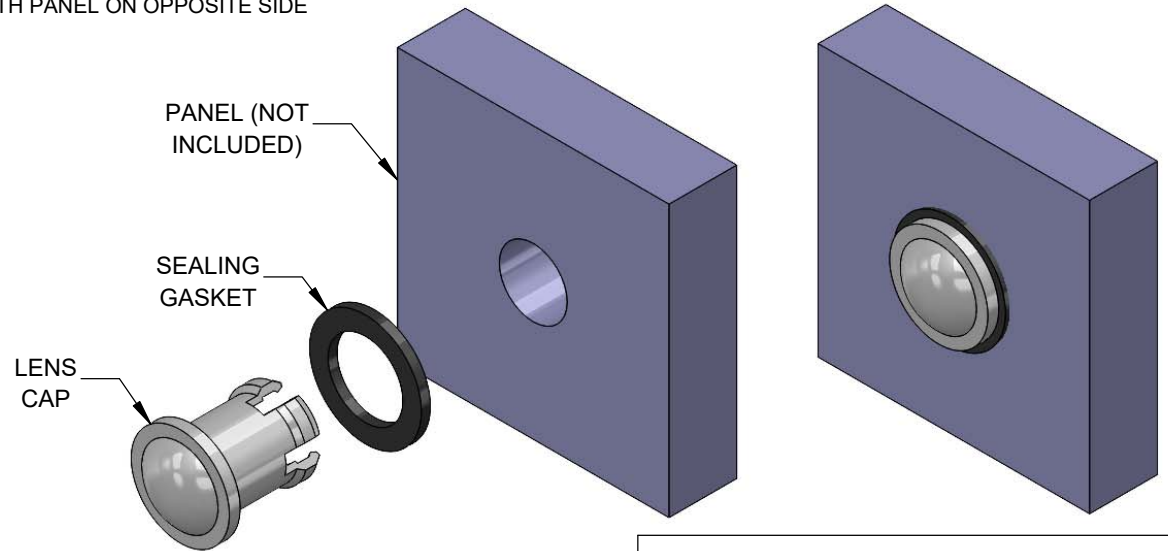
- COMPONENTS SHIPPED UNASSEMBLED.
- MATERIAL: POLYCARBONATE LENS & IP RATED POLYURETHANE SEALING GASKET WITH ADHESIVE.
- ASSEMBLY INSTRUCTIONS FOR IP68 RATING
 - CLEAN PANEL SURFACE WITH ALCOHOL
 - PEEL LINER TAPE OFF OF THE TOP OF THE SEALING GASKET AND KEEP ON PLASTIC SHEET
 - APPLY SEALING GASKET TO PANEL HOLE AS CENTERED AS POSSIBLE AND PEEL PLASTIC SHEET SLOWLY AWAY
 - INSERT LENS CAP INTO PANEL UNTIL LENS TABS ENGAGE WITH PANEL ON OPPOSITE SIDE

REVISIONS			
REV.	DESCRIPTION	DATE	APPROVED
A	ENGINEERING RELEASE	3/1/2021	A.V.

PART NUMBER CONFIGURATION

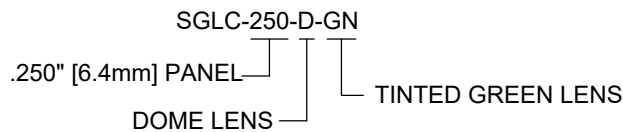


ORDER CODE (BLANK)	LENS APPEARANCE
BE	TINTED BLUE
GN	TINTED GREEN
RD	TINTED RED
YW	TINTED YELLOW



CUSTOMER USE DRAWING

SAMPLE PART NUMBER



STANDARD TOLERANCE (UNLESS OTHERWISE SPECIFIED)		 4 THOMAS, IRVINE, CA. 92618 TEL: (949) 951-8808 FAX: (949) 951-3974	
DECIMALS	ANGULAR		
.X ± .1	X° ± 1°	TITLE: IP68 LENS CAP	
.XX ± .01		DESIGNED: K. BARON	DATE: 3/1/2021
.XXX ± .005		REVISION: N/A	DATE: 3/1/2021
		DRAWING NO: SGLC-250-D-XX	REVISION: A
		SHEET SIZE A	CAGE CODE: 32559
		SCALE: 2:1	SHEET # 1 OF 2
CHECKED: A. VALDEZ		CAD GENERATED DOCUMENT, DO NOT MEASURE DRAWING	

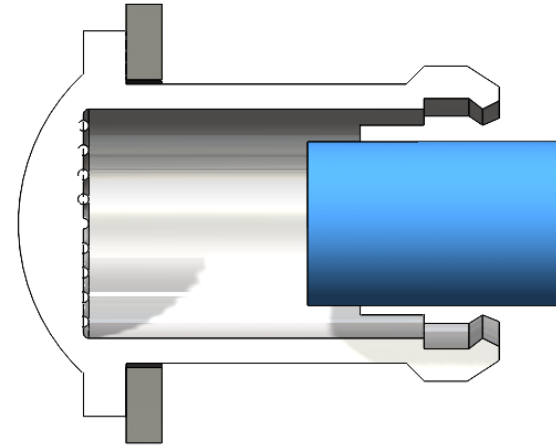
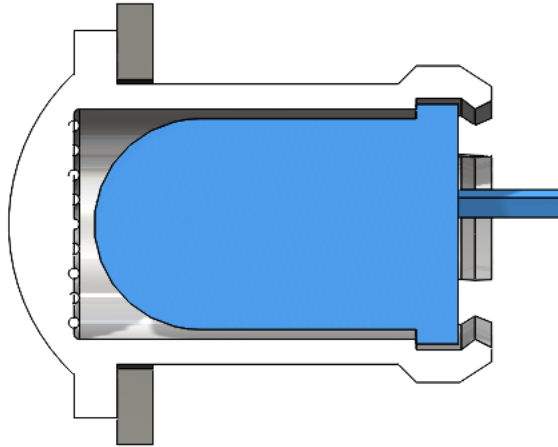
FOR OPTIMAL LIGHT DISTRIBUTION FOLLOW PRODUCT PLACEMENT INSTRUCTIONS LISTED BELOW:

PRODUCTS INSERTED COMPLETELY INSIDE LENS CAP:

- * LPR5 LIGHT PIPE SERIES
- * 5mm DISCRETE LEDs

PRODUCTS RECESSED 0.2" FROM INSIDE SURFACE:

- * 1.8mm DISCRETE LEDs
- * 3mm DISCRETE LEDs
- * LPR4 LIGHT PIPE SERIES
- * LPV4 LIGHT PIPE SERIES
- * VLP LIGHT PIPE SERIES
- * SLP3 LIGHT PIPE SERIES
- * RLP1 LIGHT PIPE SERIES



CUSTOMER USE DRAWING

		BIVAR [®]		REVISION:
CAGE CODE:	32559	DRAWING NO:	SGLC-250-D-XX	A
SHEET SIZE:	A	SCALE:	2:1	SHEET # 2 OF 2
CAD GENERATED DOCUMENT, DO NOT MEASURE DRAWING				

X-ON Electronics

Largest Supplier of Electrical and Electronic Components

Click to view similar products for [LED Lenses](#) category:

Click to view products by [Bivar](#) manufacturer:

Other Similar products are found below :

[139A-403R](#) [2857](#) [SSN-LX13049L-CD](#) [SSN-LX18754A](#) [SSN-LX18754C](#) [2817](#) [3122](#) [39-30-W03](#) [4623](#) [4752](#) [3121](#) [3124](#) [3125](#) [4327](#) [4371](#)
[4743](#) [4747](#) [4757](#) [3113](#) [4317](#) [4342](#) [4347](#) [4343](#) [4345](#) [4346](#) [CMC321YTP](#) [4742](#) [CMS444CTP](#) [13788360933552](#) [4745](#) [SML190RTP](#) [177-](#)
[0931-003](#) [177-0933-003](#) [8652](#) [8658](#) [8662](#) [8665](#) [TL50LA1T](#) [SGLC-250-D YW](#) [SGLC-250-D BE](#) [SGLC-250-D GN](#) [SGLC-250-D RD](#)
[SGLC-3MM-F YW](#) [SGLC-3MM-F RD](#) [SGLC-3MM-F BE](#) [SGLC-3MM-F](#) [SGLC-3MM-F GN](#) [4344](#) [080-0535-303](#) [080-0512-203](#)