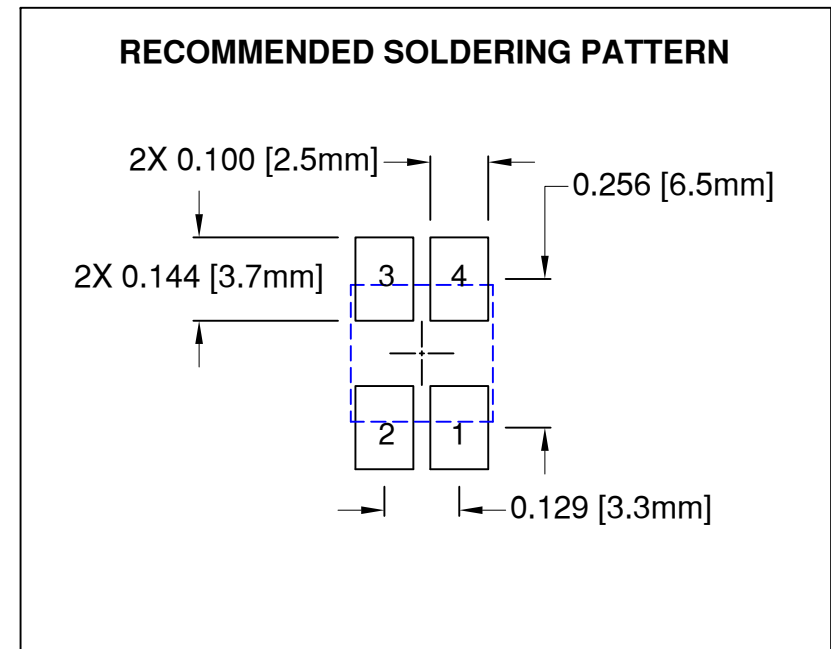
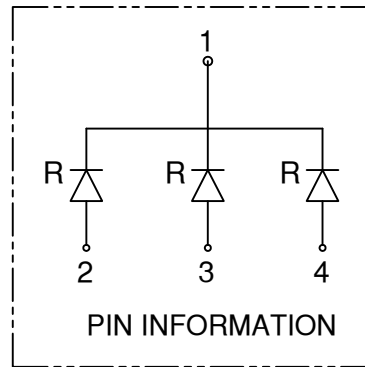


| REV. | DESCRIPTION | DATE | APPROVED |
|------|--|----------|----------|
| B | Engineering Release | 02/27/15 | J. C. |
| C | Revised Side View, See Page 4 | 03/20/15 | J. C. |
| D | Corrected Typo in Recom. Soldering Pattern | 09/12/16 | J. C. |
| | | | |



ABSOLUTE MAXIMUM RATINGS at Ta=25°C

| | |
|-----------------------------|---------------------|
| REVERSE VOLTAGE | 5V |
| REVERSE CURRENT | 100µA |
| OPERATING TEMPERATURE RANGE | -35°C - 85°C |
| STORAGE TEMPERATURE | -35°C - 85°C |
| MAX SOLDERING TEMPERATURE | 260°C FOR 3 SECONDS |

NOTES:


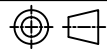
- DERATING OF FORWARD CURRENT PER SEGMENT, 0.30mA/°C at T ≥ 25°C
- ACCEPTS BIVAR FLEXIBLE LIGHT PIPE STYLE FLPS2031

| | | | |
|--|--------------------------|--|-----------------------|
| STANDARD TOLERANCE (UNLESS OTHERWISE SPECIFIED) | | 4 THOMAS, IRVINE, CA. 92618 TEL: (949) 951-8808 FAX: (949) 951-3974 | |
| DECIMALS | ANGULAR | | |
| .X ± .1 | X° ± 1° | TITLE: SMT FLP VERTICAL ADAPTER, RED | |
| .XX ± .02 | | | |
| .XXX ± .010 | | | |
| DESIGNED: A. Wright | DATE: 03/13/14 | PART NO: SMTV01-RXX | REVISION: D |
| CHECKED: B. Oliver | DATE: 03/13/14 | CAGE CODE : 32559 | SHEET # 1 OF 4 |
| CAD GENERATED DOCUMENT. DO NOT MEASURE DRAWING. | | | |

| REV. | DESCRIPTION | DATE | APPROVED |
|------|--------------|------|----------|
| | SEE SHEET #1 | | |
| | | | |
| | | | |
| | | | |

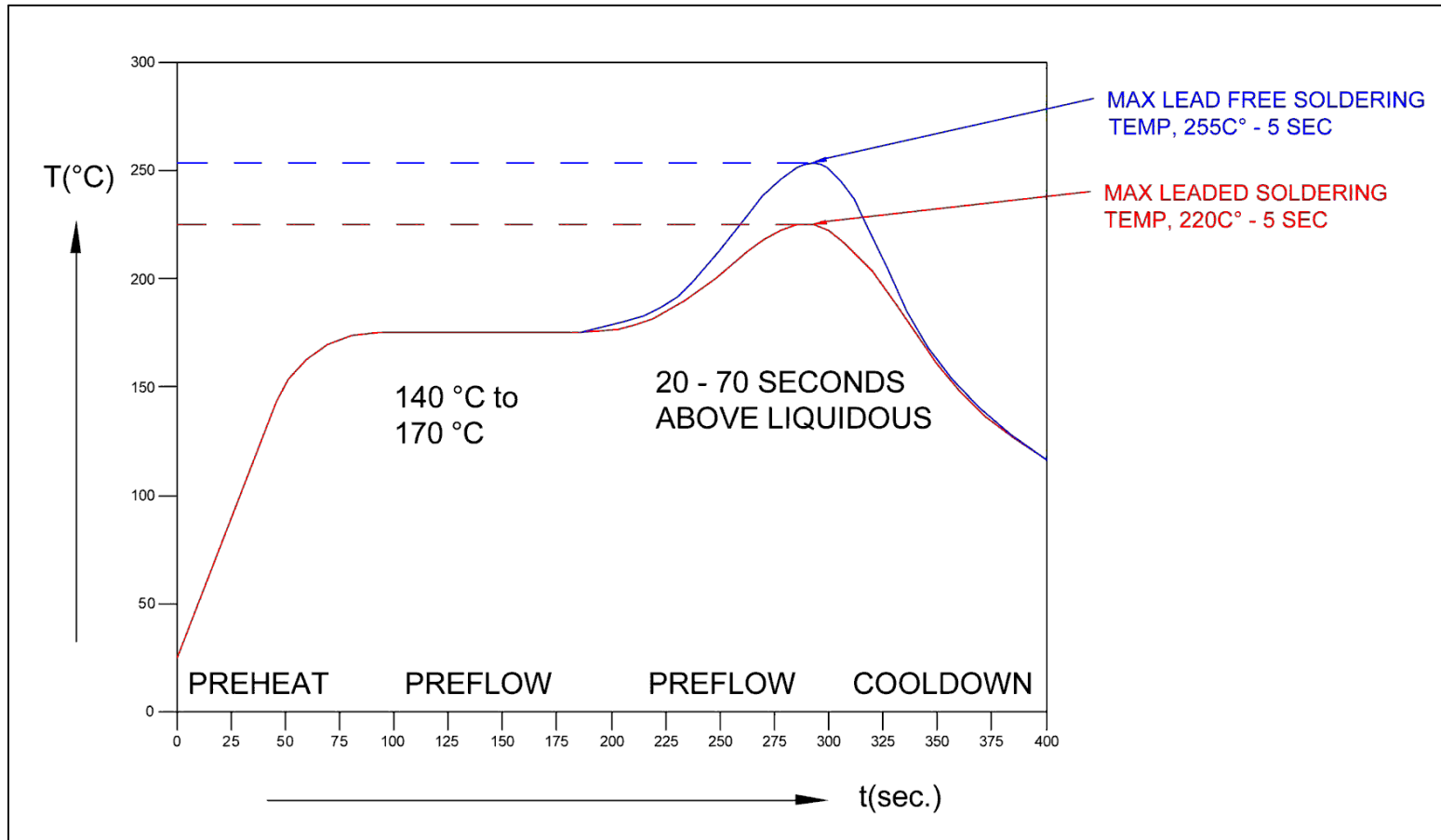
| Part Number | Chip | | | | Absolute Maximum Ratings Per Segment | | | Electro-Optical Data @60mA, 25°C | | | |
|-------------|------------------|------------------|-----|-----|---|---------------|--------------------|-------------------------------------|-----|-----|----------------|
| | Emitted Color | λ_D [nm] | | | P_d [mW] | I_f [mA] | Peak I_f [mA] | V_f [V] | | | I_v [mcd] |
| | | MIN | TYP | MAX | | | | MIN | TYP | MAX | TYP |
| SMTV01-R25 | RED | 625 | 628 | 630 | 65 | 25 | 100 | 1.7 | 2.1 | 2.6 | 246 |
| SMTV01-R37 | | | | | 65 | 25 | 100 | | | | 370 |
| SMTV01-R42 | | | | | 65 | 25 | 100 | | | | 420 |

Note: 10% Duty Cycle, Pulse Width ≤ 0.1 msec for Peak I_f .


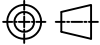
| | | | |
|--|--------------------------|--|--|
| STANDARD TOLERANCE (UNLESS OTHERWISE SPECIFIED) | |  BIVAR [®] 4 THOMAS, IRVINE, CA. 92618 TEL: (949) 951-8808 FAX: (949) 951-3974 | |
| DECIMALS | ANGULAR | | |
| .X ± .1 | X° ± 1° |  TITLE: SMT FLP VERTICAL ADAPTER, RED | |
| .XX ± .02 | | | |
| .XXX ± .010 | | PART NO: SMTV01-RXX REVISION: D | |
| DESIGNED: A. Wright | DATE: 03/13/14 | CAGE CODE : 32559 SHEET # 2 OF 4 | |
| CHECKED: B. Oliver | DATE: 03/13/14 | CAD GENERATED DOCUMENT. DO NOT MEASURE DRAWING. | |

| REV. | DESCRIPTION | DATE | APPROVED |
|------|--------------|------|----------|
| | SEE SHEET #1 | | |
| | | | |
| | | | |
| | | | |

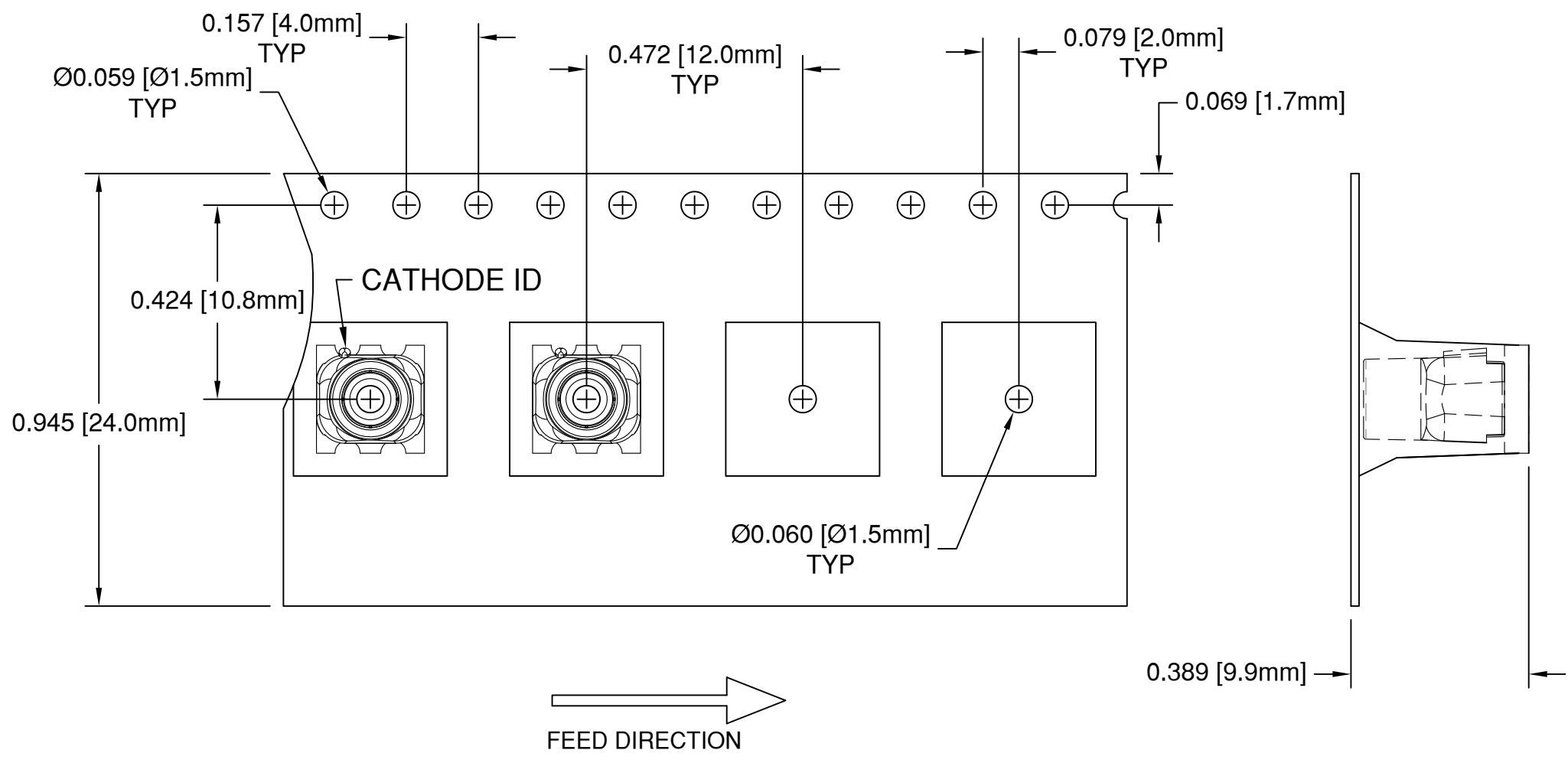
Recommended Reflow Soldering Profile




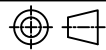
NOTE:
1. Do not clean after soldering. Only use no-clean solder paste.

| | | | | | |
|--|---------|---|--------------------------|-------------------------------|-----------------------|
| STANDARD TOLERANCE (UNLESS OTHERWISE SPECIFIED) | |  4 THOMAS, IRVINE, CA. 92618 TEL: (949) 951-8808 FAX: (949) 951-3974 | | | |
| DECIMALS | ANGULAR | | | | |
| .X ± .1 | X° ± 1° |  TITLE: SMT FLP VERTICAL ADAPTER, RED | | | |
| .XX ± .02 | | | | | |
| .XXX ± .010 | | DESIGNED: A. Wright | DATE: 03/13/14 | PART NO: SMTV01-RXX | REVISION: D |
| | | CHECKED: B. Oliver | DATE: 03/13/14 | CAGE CODE : 32559 | SHEET # 3 OF 4 |
| CAD GENERATED DOCUMENT. DO NOT MEASURE DRAWING. | | | | | |

| REV. | DESCRIPTION | DATE | APPROVED |
|------|--------------|------|----------|
| | SEE SHEET #1 | | |
| | | | |
| | | | |
| | | | |



NOTES:
 3. MOISTURE SENSITIVITY LEVEL: 4
 2. UNLESS OTHERWISE SPECIFIED, PACKAGING TO COMPLY WITH EIA-481-D
 1. 500 pcs PER REEL

| | | | |
|--|---------|---|---|
| STANDARD TOLERANCE (UNLESS OTHERWISE SPECIFIED) | |  4 THOMAS, IRVINE, CA. 92618 TEL: (949) 951-8808 FAX: (949) 951-3974 | |
| DECIMALS | ANGULAR | | |
| .X ± .1 | X° ± 1° |  | TITLE: SMT FLP VERTICAL ADAPTER, RED |
| .XX ± .02 | | | PART NO: SMTV01-RXX |
| .XXX ± .010 | | DESIGNED: A. Wright | DATE: 03/13/14 |
| | | CHECKED: B. Oliver | DATE: 03/13/14 |
| | | CAGE CODE : 32559 | SHEET # 4 OF 4 |
| CAD GENERATED DOCUMENT. DO NOT MEASURE DRAWING. | | | |

X-ON Electronics

Largest Supplier of Electrical and Electronic Components

Click to view similar products for [LED Light Pipes](#) category:

Click to view products by [Bivar](#) manufacturer:

Other Similar products are found below :

[1367627-1](#) [SLP3-300-450-F](#) [SLP3-400-450-R](#) [LPA-C011301S-6](#) [LPF-C011306S](#) [FLP25-1.95](#) [VLP-640-F](#) [LPA-C011301S-5.4](#) [LPA-R051171S-12](#) [LPA-S011331S](#) [515-1027-803F](#) [515-1217F](#) [SLP3-150-300-R](#) [SLP3-500-450-R](#) [515-1064-810F](#) [FLPV-SG](#) [BDL-1187](#) [7511A41](#) [7511A87-500](#) [FLPV-SBC](#) [5151064802F](#) [5151-192-0055-0DF](#) [LPF-R011340S](#) [515-1166-801F](#) [FLPF-6.0](#) [PM4-C1522-3.70](#) [LC-11.25](#) [CLP-1214](#) [515-1064-808F](#) [FLX3_05](#) [515-1192-0025-0DF](#) [HS LC-H-D2/ R2XC1-2 54](#) [515-1192-80-3DF](#) [1282.2600](#) [1296.2004](#) [PBLP-1001-1](#) [SZ1-10.00-A220-F4P54](#) [SZ1-10.00-A220-F4P](#) [LC2-4.1](#) [1296.7042](#) [SF4-2.5-F5P](#) [PLP5-2-625-54](#) [FLP25-13.5](#) [1271.2002](#) [1272.0030](#) [1276.2004](#) [1281.1001-8MM](#) [1282.1300](#) [1296.1034](#) [1296.2022](#)