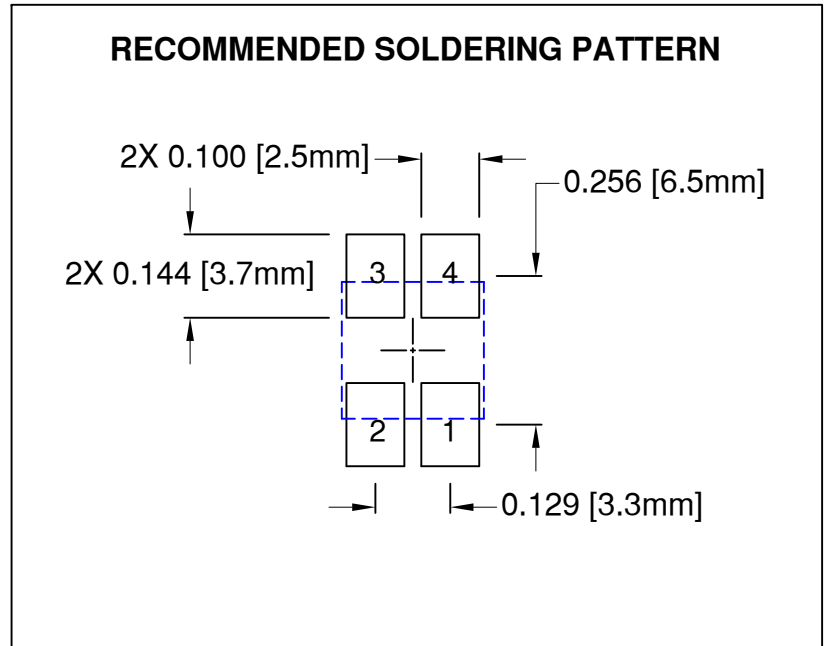
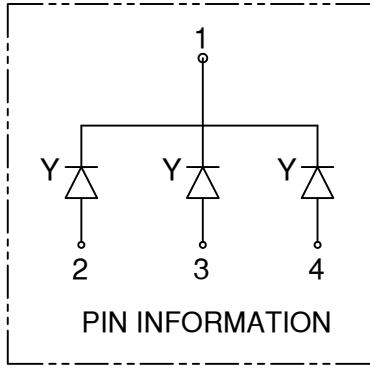
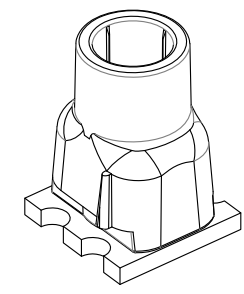
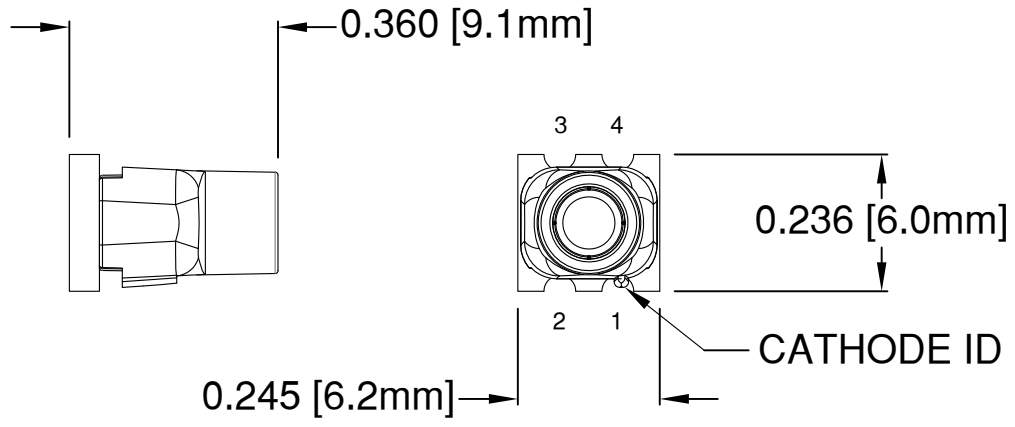


REV.	DESCRIPTION	DATE	APPROVED
B	Engineering Release	02/27/15	J. C.
C	Revised Side View, See Page 4	03/20/15	J. C.
D	Corrected Typo in Recom. Soldering Pattern	09/12/16	J. C.



ABSOLUTE MAXIMUM RATINGS at Ta=25°C	
REVERSE VOLTAGE	5V
REVERSE CURRENT	100µA
OPERATING TEMPERATURE RANGE	-35°C - 85°C
STORAGE TEMPERATURE	-35°C - 85°C
MAX SOLDERING TEMPERATURE	260°C FOR 3 SECONDS

NOTES:

2. DERATING OF FORWARD CURRENT PER SEGMENT, 0.30mA/°C at T ≥ 25°C


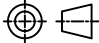
1. ACCEPTS BIVAR FLEXIBLE LIGHT PIPE STYLE FLPS2031

STANDARD TOLERANCE (UNLESS OTHERWISE SPECIFIED)		 4 THOMAS, IRVINE, CA. 92618 TEL: (949) 951-8808 FAX: (949) 951-3974	
DECIMALS	ANGULAR		
.X ± .1	X° ± 1°		
.XX ± .02		 <b>TITLE:</b> SMT FLP VERTICAL ADAPTER, YELLOW	
.XXX ± .010			
DESIGNED: <b>A. Wright</b>	DATE: <b>03/13/14</b>	<b>PART NO:</b> SMTV01-YXX	REVISION: <b>D</b>
CHECKED: <b>B. Oliver</b>	DATE: <b>03/13/14</b>		<b>CAGE CODE :</b> 32559
CAD GENERATED DOCUMENT. DO NOT MEASURE DRAWING.			

REV.	DESCRIPTION	DATE	APPROVED
	SEE SHEET #1		

Part Number	Chip				Absolute Maximum Ratings Per Segment			Electro-Optical Data @60mA, 25°C			
	Emitted Color	$\lambda_D$ [nm]			$P_d$ [mW]	$I_f$ [mA]	Peak $I_f$ [mA]	$V_f$ [V]			$I_v$ [mcd]
		MIN	TYP	MAX				MIN	TYP	MAX	
SMTV01-Y19	YELLOW	-	589	-	65	25	100	1.8	2.1	2.6	190
SMTV01-Y27					65	25	100				270
SMTV01-Y35					65	25	100				348

Note: 10% Duty Cycle, Pulse Width  $\leq 0.1$ msec for Peak  $I_f$ .


STANDARD TOLERANCE ( UNLESS OTHERWISE SPECIFIED )		 <b>BIVAR</b> <sup>®</sup> 4 THOMAS, IRVINE, CA. 92618 TEL: (949) 951-8808 FAX: (949) 951-3974	
DECIMALS	ANGULAR		
.X ± .1	X° ± 1°		
.XX ± .02			
.XXX ± .010		<b>TITLE:</b> SMT FLP VERTICAL ADAPTER, YELLOW	
DESIGNED: <b>A. Wright</b>	DATE: <b>03/13/14</b>	<b>PART NO:</b> SMTV01-YXX	
CHECKED: <b>B. Oliver</b>	DATE: <b>03/13/14</b>	<b>REVISION:</b> D	
		<b>CAGE CODE :</b> 32559 <b>SHEET #</b> 2 OF 4	
CAD GENERATED DOCUMENT. DO NOT MEASURE DRAWING.			

REV.	DESCRIPTION	DATE	APPROVED
	SEE SHEET #1		

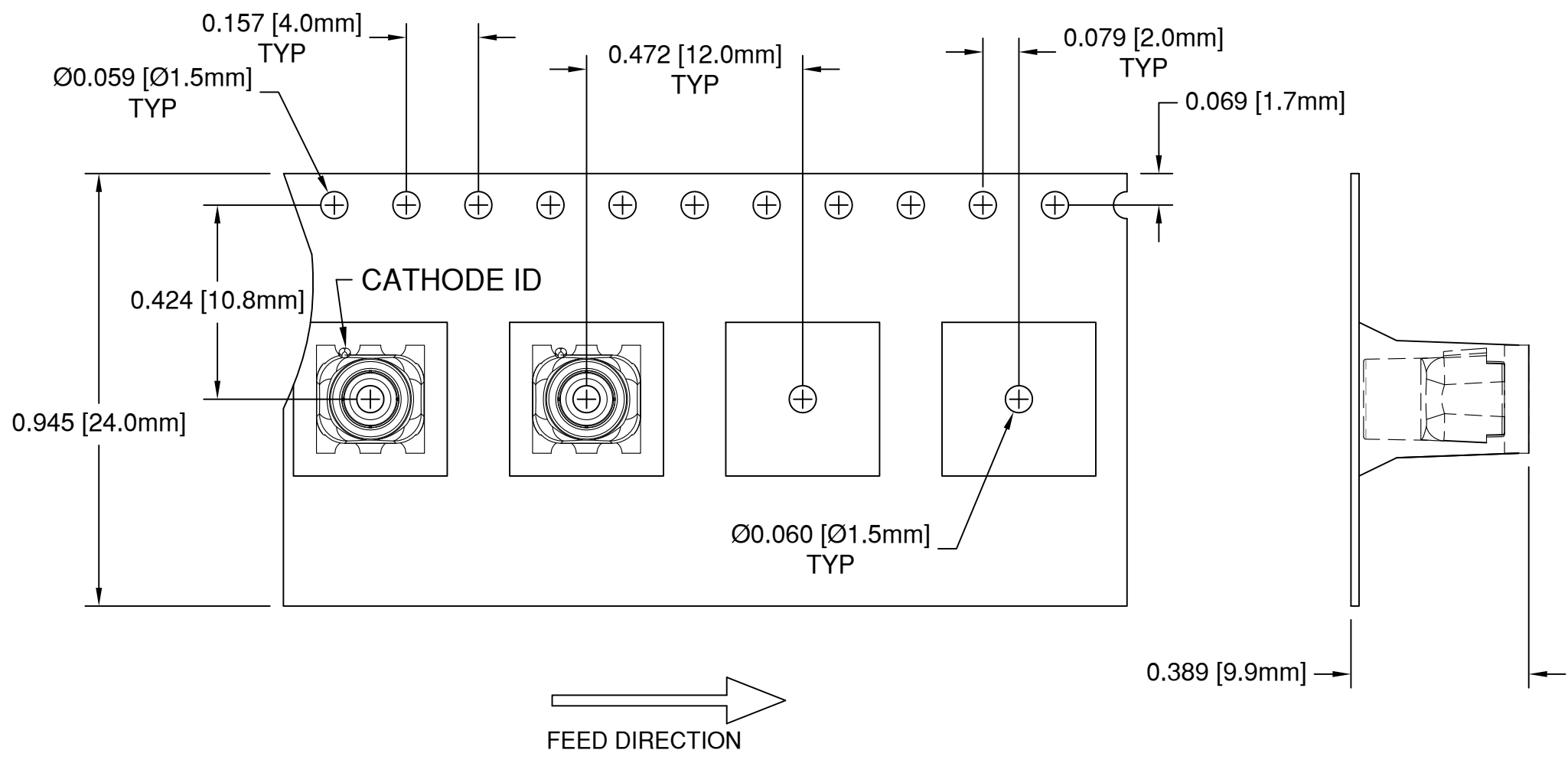
## Recommended Reflow Soldering Profile




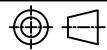
**NOTE:**  
 1. Do not clean after soldering. Only use no-clean solder paste.

STANDARD TOLERANCE ( UNLESS OTHERWISE SPECIFIED ) DECIMALS      ANGULAR .X      ± .1      X°      ± 1° .XX      ± .02 .XXX      ± .010		 4 THOMAS, IRVINE, CA. 92618 TEL: (949) 951-8808    FAX: (949) 951-3974	
DESIGNED: <b>A. Wright</b>		DATE: <b>03/13/14</b>	
CHECKED: <b>B. Oliver</b>		DATE: <b>03/13/14</b>	
TITLE: <b>SMT FLP VERTICAL ADAPTER, YELLOW</b>		REVISION: <b>D</b>	
PART NO: <b>SMTV01-YXX</b>		SHEET # <b>3</b> OF <b>4</b>	
CAGE CODE : <b>32559</b>		CAD GENERATED DOCUMENT. DO NOT MEASURE DRAWING.	

REV.	DESCRIPTION	DATE	APPROVED
	SEE SHEET #1		



NOTES:  
 3. MOISTURE SENSITIVITY LEVEL: 4  
 2. UNLESS OTHERWISE SPECIFIED, PACKAGING TO COMPLY WITH EIA-481-D  
 1. 500 pcs PER REEL

STANDARD TOLERANCE (UNLESS OTHERWISE SPECIFIED)		 4 THOMAS, IRVINE, CA. 92618 TEL: (949) 951-8808 FAX: (949) 951-3974	
DECIMALS	ANGULAR		
.X ± .1	X° ± 1°	 <b>TITLE:</b> SMT FLP VERTICAL ADAPTER, YELLOW	
.XX ± .02			
.XXX ± .010		<b>PART NO:</b> SMTV01-YXX	<b>REVISION:</b> D
DESIGNED: <b>A. Wright</b>	DATE: <b>03/13/14</b>	<b>CAGE CODE :</b> 32559	<b>SHEET #</b> 4 OF 4
CHECKED: <b>B. Oliver</b>	DATE: <b>03/13/14</b>	CAD GENERATED DOCUMENT. DO NOT MEASURE DRAWING.	

## X-ON Electronics

Largest Supplier of Electrical and Electronic Components

*Click to view similar products for [LED Light Pipes](#) category:*

*Click to view products by [Bivar](#) manufacturer:*

Other Similar products are found below :

[1367627-1](#) [SLP3-300-450-F](#) [SLP3-400-450-R](#) [LPA-C011301S-6](#) [LPF-C011306S](#) [FLP25-1.95](#) [VLP-640-F](#) [LPA-C011301S-5.4](#) [LPA-R051171S-12](#) [LPA-S011331S](#) [515-1027-803F](#) [515-1217F](#) [SLP3-150-300-R](#) [SLP3-500-450-R](#) [515-1064-810F](#) [FLPV-SG](#) [BDL-1187](#) [7511A41](#) [7511A87-500](#) [FLPV-SBC](#) [5151064802F](#) [5151-192-0055-0DF](#) [LPF-R011340S](#) [515-1166-801F](#) [FLPF-6.0](#) [PM4-C1522-3.70](#) [LC-11.25](#) [CLP-1214](#) [515-1064-808F](#) [FLX3\\_05](#) [515-1192-0025-0DF](#) [HS LC-H-D2/ R2XC1-2 54](#) [515-1192-80-3DF](#) [1282.2600](#) [1296.2004](#) [PBLP-1001-1](#) [SZ1-10.00-A220-F4P54](#) [SZ1-10.00-A220-F4P](#) [LC2-4.1](#) [1296.7042](#) [SF4-2.5-F5P](#) [PLP5-2-625-54](#) [FLP25-13.5](#) [1271.2002](#) [1272.0030](#) [1276.2004](#) [1281.1001-8MM](#) [1282.1300](#) [1296.1034](#) [1296.2022](#)