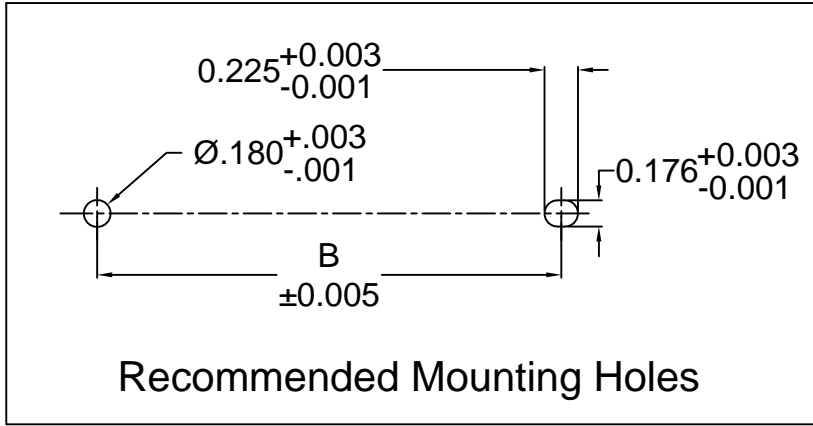
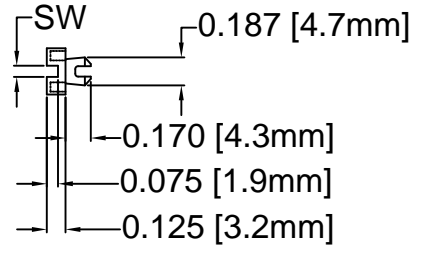
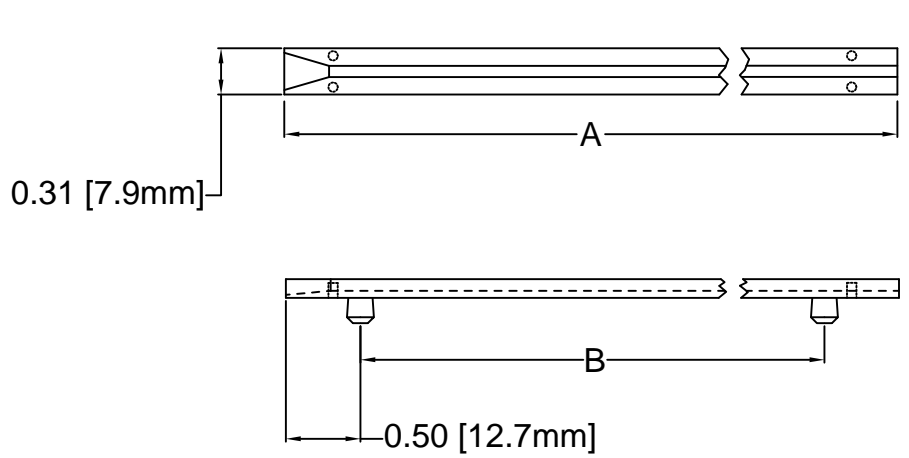


| REV. | DESCRIPTION            | DATE     | APPROVED |
|------|------------------------|----------|----------|
| H    | Engineering Release.   | 11/01/13 | T. Y.    |
| J    | Updated Material Note. | 03/08/16 | J. C.    |
|      |                        |          |          |
|      |                        |          |          |



| PART NO.       |                | A<br>±.032 (.8) | B<br>±.016 (.4) |
|----------------|----------------|-----------------|-----------------|
| SSD-250        | SSD-250-102    | 2.5 (63.5)      | 1.5 (38.1)      |
| SSD-300        | SSD-300-102    | 3.0 (76.2)      | 2.0 (50.8)      |
| SSD-350        | SSD-350-102    | 3.5 (88.9)      | 2.5 (63.5)      |
| SSD-400        | SSD-400-102    | 4.0 (101.6)     | 3.0 (76.2)      |
| SSD-450 3X     | -              | 4.5 (114.3)     | 3.0 (76.2)      |
| SSD-450        | SSD-450-102    | 4.5 (114.3)     | 3.5 (88.9)      |
| SSD-500        | SSD-500-102    | 5.0 (127.0)     | 4.0 (101.6)     |
| SSD-550        | SSD-550-102    | 5.5 (139.7)     | 4.5 (114.3)     |
| SSD-600        | SSD-600-102    | 6.0 (152.4)     | 5.0 (127.0)     |
| SSD-650        | SSD-650-102    | 6.5 (165.1)     | 5.5 (139.7)     |
| SSD-700        | SSD-700-102    | 7.0 (177.8)     | 6.0 (152.4)     |
| SSD-750        | SSD-750-102    | 7.5 (190.5)     | 6.5 (165.1)     |
| SSD-800        | SSD-800-102    | 8.0 (203.2)     | 7.0 (177.8)     |
| SW=0.075 (1.9) | SW=0.102 (2.6) |                 |                 |

3. ALL DIMENSIONS IN INCHES, UNLESS OTHERWISE SPECIFIED.
2. MATERIAL: NYLON 6/6, 94V-2, NATURAL.
1. GENERAL SPECIFICATIONS: BIVAR MOLDED COMPONENT SPECIFICATION BV00-E101.

|  |                          |   |  |
|--|--------------------------|---|--|
| STANDARD TOLERANCE<br>(UNLESS OTHERWISE SPECIFIED) |                          | <br><b>BIVAR</b> <sup>®</sup><br>4 THOMAS, IRVINE, CA. 92618<br>TEL: (949) 951-8808 FAX: (949) 951-3974 |  |
| DECIMALS   | ANGULAR                  |   |  |
| .X ±.1   | X° ± 1°                  | <br><b>TITLE:</b><br>INTERCHANGEABLE SNAP-IN CARD GUIDE   |  |
| .XX ±.01   |                          |   |  |
| .XXX ±.005   |                          | <b>PART NO:</b> SSD-XXX-XXX   |  |
| DESIGNED:<br><b>David Green</b>                    | DATE:<br><b>11/26/02</b> | REVISION:<br><b>J</b>   |  |
| CHECKED:<br><b>M. Chen</b>                         | DATE:<br><b>11/26/02</b> | <b>CAGE CODE :</b> 32559 <b>SHEET #</b> 1 <b>OF</b> 1   |  |
| CAD GENERATED DOCUMENT. DO NOT MEASURE DRAWING.    |                          |   |  |

## X-ON Electronics

Largest Supplier of Electrical and Electronic Components

*Click to view similar products for [Racks & Rack Cabinet Accessories](#) category:*

*Click to view products by [Bivar](#) manufacturer:*

Other Similar products are found below :

[CR-1727](#) [M00-PLN](#) [F2420](#) [F2424](#) [8310-1032-SS](#) [9104](#) [PLFF2000](#) [PLFF6000](#) [GP216](#) [PTFA60000LG](#) [H-9163-B](#) [HEH050BA](#) [1427C3](#)  
[BAS-5104](#) [N-700-2](#) [190-002](#) [HTL10](#) [HTS10](#) [PC-118](#) [PC-780L](#) [PC-79](#) [PC-800](#) [SC4-28](#) [F3024](#) [AKWAMT](#) [PLFF1000](#) [GRPB12PG](#) [CG3-](#)  
[340S/12](#) [2CWDP36](#) [2CWDP48](#) [2SSHINGE](#) [CP-001BK](#) [CPL19431LG1](#) [R570-004-107](#) [M6123-4007-SS](#) [TS170](#) [531300535](#) [BRX-12290](#)  
[C4BD3077SBK1](#) [UPS 7-17-14 PLAIN](#) [LP40](#) [5261304-07](#) [CCA26-44-01](#) [706-102](#) [CG3-160G](#) [7112C-PLN ALUM](#) [CM10](#) [TS81](#) [7142](#)  
[GP134](#)