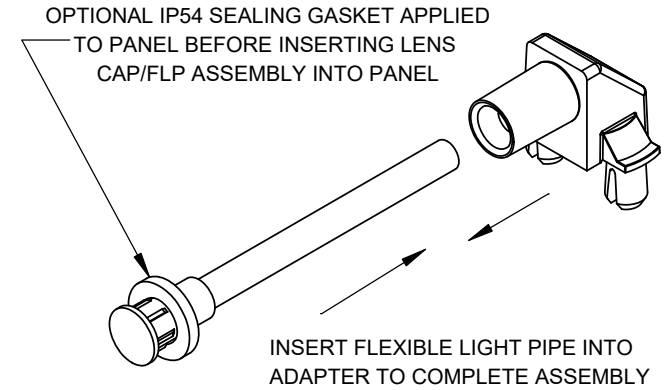
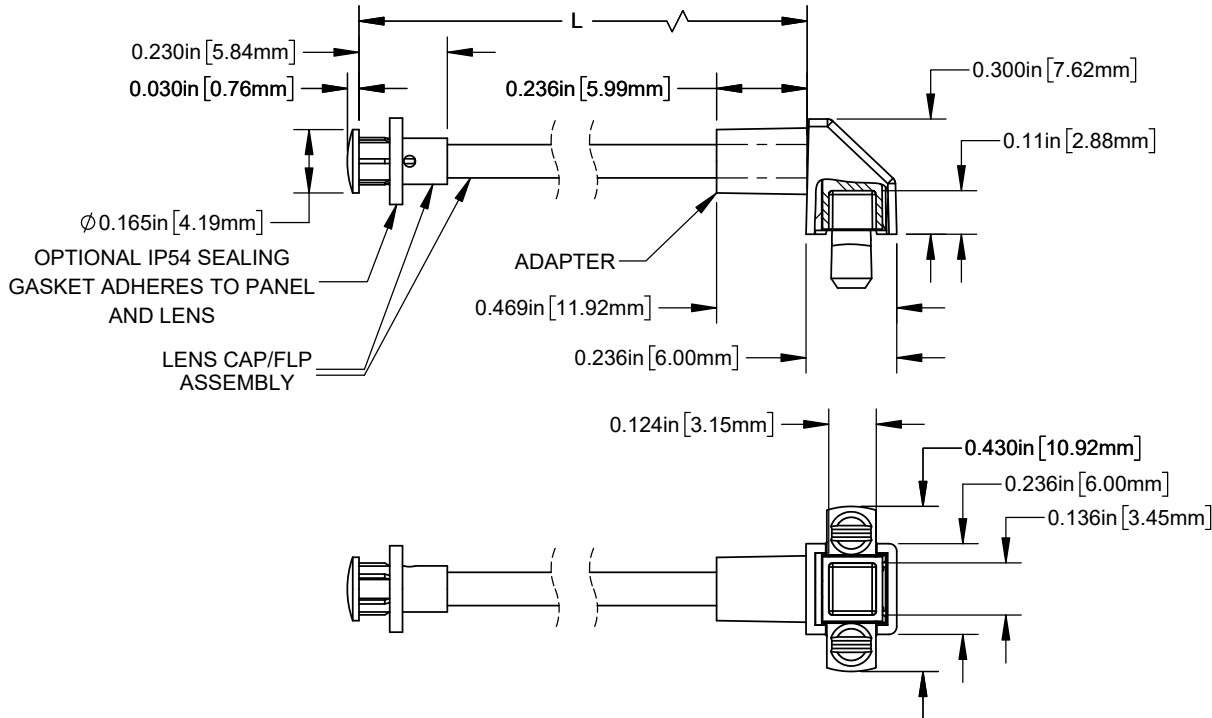


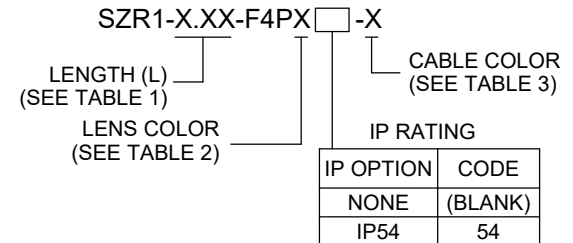
**NOTES:**

1. ALLOWABLE FLEXIBLE LIGHT PIPE CUT LENGTH AVAILABLE IN INCREMENTS OF 0.05".
2. MINIMUM BEND RADIUS OF FLEXIBLE LIGHT PIPE: 0.87" [22mm].
3. COMPONENTS SHIPPED NON-ASSEMBLED.
4. SEE SHEET 2 FOR DETAILED ASSEMBLY INSTRUCTIONS TO ACHIEVE OPTIMUM FUNCTION OF SEALING GASKET

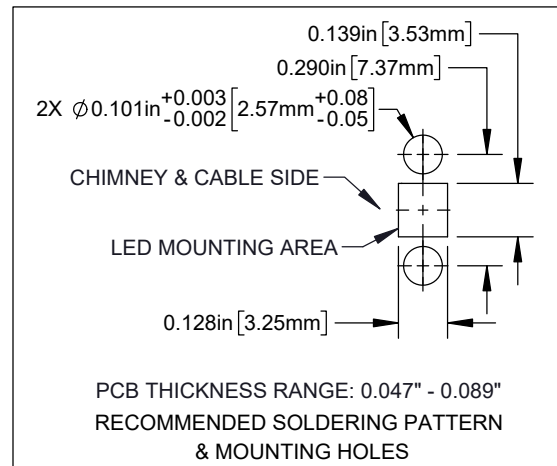
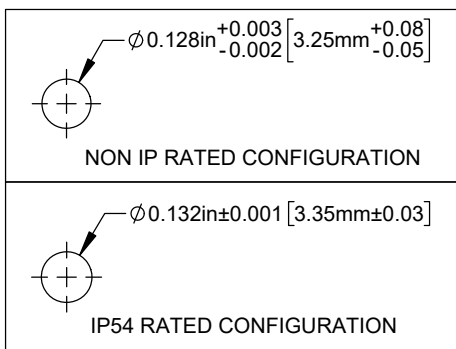
REVISIONS			
REV.	DESCRIPTION	DATE	APPROVED
A	Engineering Release	3/1/2022	A.V.



**PART NUMBER CONFIGURATOR**  
SEE SHEET 2 FOR ORDERING INFORMATION



**RECOMMENDED LENS MOUNTING HOLE**



**CUSTOMER USE DRAWING**

STANDARD TOLERANCE (UNLESS OTHERWISE SPECIFIED)		 4 THOMAS, IRVINE, CA. 92618 TEL: (949) 951-8808 FAX: (949) 951-3974	
DECIMALS	ANGULAR		
.X ± .1	X° ± 1°	<b>TITLE:</b> FLP ASSEMBLY WITH LOW PROFILE ADAPTER, LC	
.XX ± .02			
.XXX ± .010		<b>DRAWING NO:</b> SZR1-X.XX-F4PX-X	REVISION: A
DESIGNED: K. BARON	DATE: 3/1/2022	<b>SHEET SIZE</b> A	<b>CAGE CODE:</b> 32559
REVIS: N/A	DATE: N/A	<b>SCALE:</b> 2:1	<b>SHEET #</b> 1 OF 2
CHECKED: A. VALDEZ	DATE: 3/1/2022	CAD GENERATED DOCUMENT, DO NOT MEASURE DRAWING	

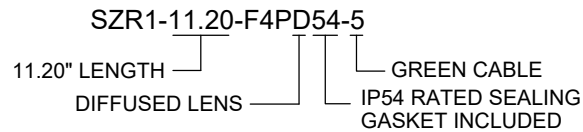
TABLE 1 - LENGTH	
LENGTH (L)*	TOLERANCE
1.00" - 16.00"	±0.05"
16.05" - 40.00"	±0.15"
40.05" - 80.00"	±0.30"
80.05" - 3,940.00"	±0.5%

\*AVAILABLE IN 0.05" INCREMENTS

TABLE 2 - LENS	
ORDER CODE	LENS APPEARANCE
(BLANK)	CLEAR
D	DIFFUSED
S	SMOKED
BE	TINTED BLUE
GN	TINTED GREEN
RD	TINTED RED
YW	TINTED YELLOW

TABLE 3 - CABLE	
ORDER CODE	CABLE COLOR
(BLANK)	BLACK
2	RED
4	YELLOW
5	GREEN
6	BLUE
9	WHITE

**SAMPLE PART NUMBER:**



**ASSEMBLY INSTRUCTIONS TO ACHIEVE OPTIMUM FUNCTION OF SEALING GASKET:**

- CLEAN PANEL SURFACE AROUND MOUNTING HOLE WITH ALCOHOL
- PEEL LINER OFF TOP OF THE SEALING GASKET WHILE KEEPING SEALING GASKET ON PLASTIC ROLL
- APPLY SEALING GASKET TO PANEL HOLE AS CENTERED AS POSSIBLE AND PEEL PLASTIC LINER SLOWLY AWAY
- INSERT LIGHT PIPE INTO PANEL UNTIL SEALING GASKET MATERIAL IS COMPRESSED BETWEEN LENS AND PANEL
- HOLD FOR A FEW SECONDS TO ENSURE ENTIRE SEALING GASKET ADHERES TO PANEL AND LENS FLANGE SURFACE

**CUSTOMER USE DRAWING**

		<b>BIVAR</b> <sup>®</sup>	
<b>CAGE CODE:</b>	<b>32559</b>	<b>DRAWING NO:</b> SZR1-X.XX-F4PX-X	<b>REVISION:</b> <b>A</b>
<b>SHEET SIZE:</b>	<b>A</b>	SCALE: 2:1	<b>SHEET # 2 OF 2</b>
<small>CAD GENERATED DOCUMENT, DO NOT MEASURE DRAWING</small>			

## X-ON Electronics

Largest Supplier of Electrical and Electronic Components

*Click to view similar products for [LED Light Pipes](#) category:*

*Click to view products by [Bivar](#) manufacturer:*

Other Similar products are found below :

[LPA-C011301S-6](#) [FLP25-1.95](#) [LPA-C011301S-5.4](#) [LPA-R051171S-12](#) [LPA-S011331S](#) [515-1027-803F](#) [515-1217F](#) [515-1064-810F](#)  
[7511A41](#) [7511A87-500](#) [5151064802F](#) [LPF-R011340S](#) [515-1166-801F](#) [LC-11.25](#) [CLP-1214](#) [515-1064-808F](#) [515-1192-0025-0DF](#) [515-1192-80-3DF](#) [1279.1008](#) [1296.7022](#) [BFL-1115](#) [LC2-4.1](#) [SF4-2.5-F5P](#) [PLP5-2-625-54](#) [FLP25-13.5](#) [MLPS-RTB-3-0302-00-1000-0000-D-2](#)  
[1271.2002](#) [1272.0030](#) [1276.2004](#) [1281.1001-8MM](#) [1282.1300](#) [1296.1034](#) [1296.2054](#) [1296.3004](#) [LCS112CTP](#) [LCS132CTP](#) [LCV136CTP](#)  
[LMS053CTP](#) [LPC062CTP](#) [LPC076CTP](#) [LPC078CTP](#) [LPC096CTP](#) [LPC105CTP](#) [LPC110CTP](#) [LPC122CTP](#) [LPC130CTP](#) [LPC170CTP](#)  
[LSS024CTP](#) [LSV060CTP](#) [LSV080CTP](#)