

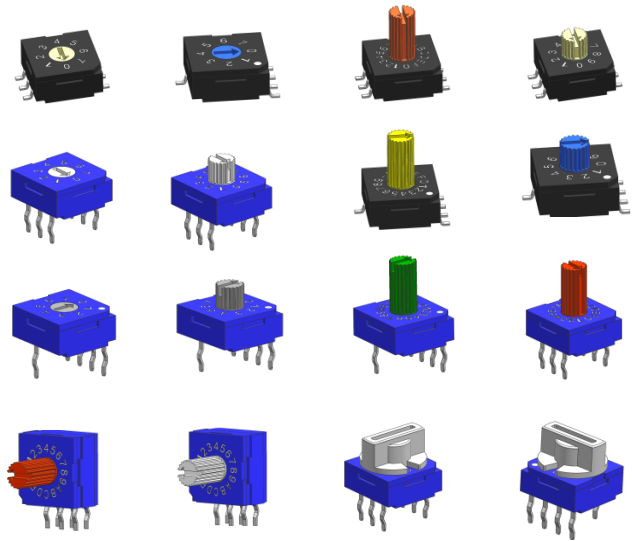


Features

- ◆ Sealed Construction, No Tape Seal Required
- ◆ Surface Mount, Thru-Hole and Right Angle 2.54 & 5.08mm
- ◆ Octal, Decimal and Hexadecimal Code in Real or Complement
- ◆ Gold-Plated Contacts
- ◆ Flush or Extended Rotors
- ◆ Knobs available
- ◆ Washable meet IP67

Specifications

- ◆ Contact Rating
 - Switching : 5VDC 20mA (Min. AC/DC 20mA 1µA)
 - Non Switching : Max. 50VDC 100mA
- ◆ Contact Resistance : 100mΩ Max
- ◆ Insulation Resistance : 1,000MΩ Min. at 100VDC
- ◆ Dielectric Strength : 250VAC for 1 minute
- ◆ Operating Force : 400gf/cm Max. (Standard)
: 200gf/cm Max. (N type)
- ◆ Life : 20,000 Steps
- ◆ Operating Temperature : -40°C ~+85°C
- ◆ Storage Temperature : -40°C ~+85°C
- ◆ Hand Soldering : 350°C 3 Sec. max
- ◆ Wave Soldering : 260±5°C for 10 sec. max.
- ◆ Reflow Soldering : Peak temp.: 245°C max. The time above 240 must be 30 sec. max.



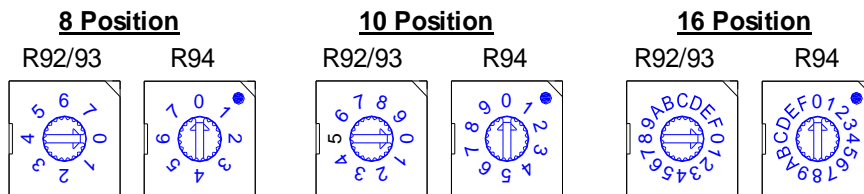
Code Format

| No. of positions | | (10 positions) | | | | | | | | | | (16 positions) | | | | | | |
|------------------|--------------------|----------------|---|---|---|---|---|---|---|---|---|----------------|---|---|---|---|---|---|
| | | (08 positions) | | | | | | | | | | | | | | | | |
| | | Position | 0 | 1 | 2 | 3 | 4 | 5 | 6 | 7 | 8 | 9 | A | B | C | D | E | F |
| Code | Real code | 8 | | | | | | | | | | • | • | • | • | • | • | |
| | | 4 | | | | | • | • | • | • | | | | | • | • | • | • |
| | | 2 | | | • | • | | | | | | | | | • | • | | |
| | Complementary code | 8 | • | • | • | • | • | • | • | • | • | | | | | | | |
| | | 4 | • | • | • | • | | | | | • | • | • | • | | | | |
| | | 2 | • | • | | | • | • | | | • | • | | | | • | • | |
| | 1 | • | • | | | • | • | | | • | • | | | • | • | | | |

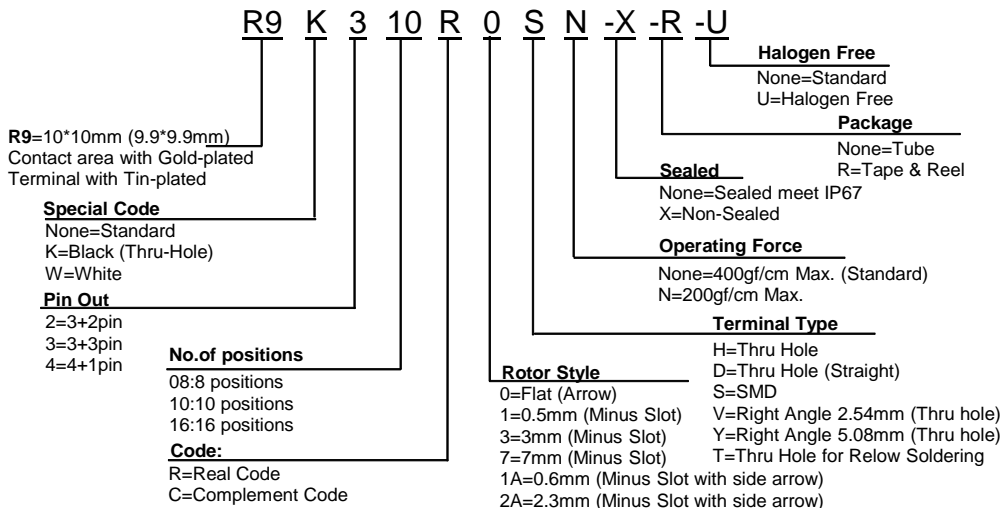
Package

| P/N | No. Of Pole | Quantity per Tube |
|-------------|--------------|-------------------|
| R92_H/D/T/S | 08 / 10 / 16 | 50 |
| R92_V/Y | 08 / 10 / 16 | 45 |
| R93_H/D/T/S | 08 / 10 / 16 | 50 |
| R93_V/Y | 08 / 10 / 16 | 45 |
| R94_H/D/T/S | 08 / 10 / 16 | 50 |
| R94_V | 08 / 10 / 16 | 45 |
| P/N | No. Of Pole | Quantity per Reel |
| R9_0/1S-R | 08 / 10 / 16 | 600 |
| R9_2/3S-R | 08 / 10 / 16 | 350 |
| R9_7S-R | 08 / 10 / 16 | 200 |
| R9_7H/T-R | 08 / 10 / 16 | 140 |

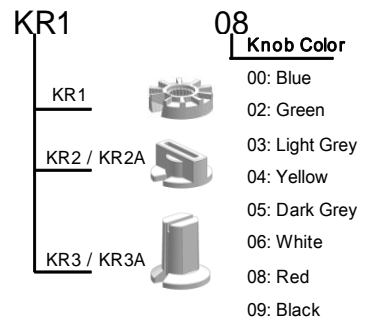
Position



Order Information



Knob Order Information



X-ON Electronics

Largest Supplier of Electrical and Electronic Components

Click to view similar products for [Coded Rotary Switches](#) category:

Click to view products by [BIWIN](#) manufacturer:

Other Similar products are found below :

[PT65503RT](#) [Y36D02243FPLFT](#) [RTAP31S12WFLSP](#) [MADR-16H1](#) [GSER-10](#) [6KF001B-3S10R4-0](#) [EC11E153442W](#) [SC-2110](#) [SD-2010TB](#)
[MER-16H](#) [EDR-08](#) [USR-10](#) [FSR-08](#) [FSR-04S](#) [ESR-16](#) [HAMR-10S](#) [SDR-10H](#) [QSR-16H](#) [HAMR-16](#) [FDR-04S](#) [EDR-16S](#) [ESR-10S](#) [QDR-](#)
[08H1](#) [TDR-04](#) [EDR-08S](#) [ESR-16H](#) [QDR-10](#) [EDR-10S](#) [QSR-06S](#) [ESR-08S](#) [EC11E156040N](#) [EC11B15243DC](#) [EC35AH220501](#)
[EC18AGB20406](#) [EC11E09244C3](#) [EC11G1534414](#) [EC11E156T402](#) [EC60A1520405](#) [EC11E1564454](#) [EC11J0925501](#) [EC11E15204B1](#)
[EC11E1564439](#) [EC50A0920403](#) [ED103180-FE14.5S7.5-A16-1010](#) [ED08C030-FE18C9.0-A16-1002X](#) [ED08C210-FE18A6.0-A16-1002](#)
[ED08C110-FE18S9.0-A16-1040](#) [ED08C150-BM20S6.0-A16-1026](#) [ED103010-SP17S8.0-A16-1012](#) [ED113020-FB15S7.0-C12-0005](#)