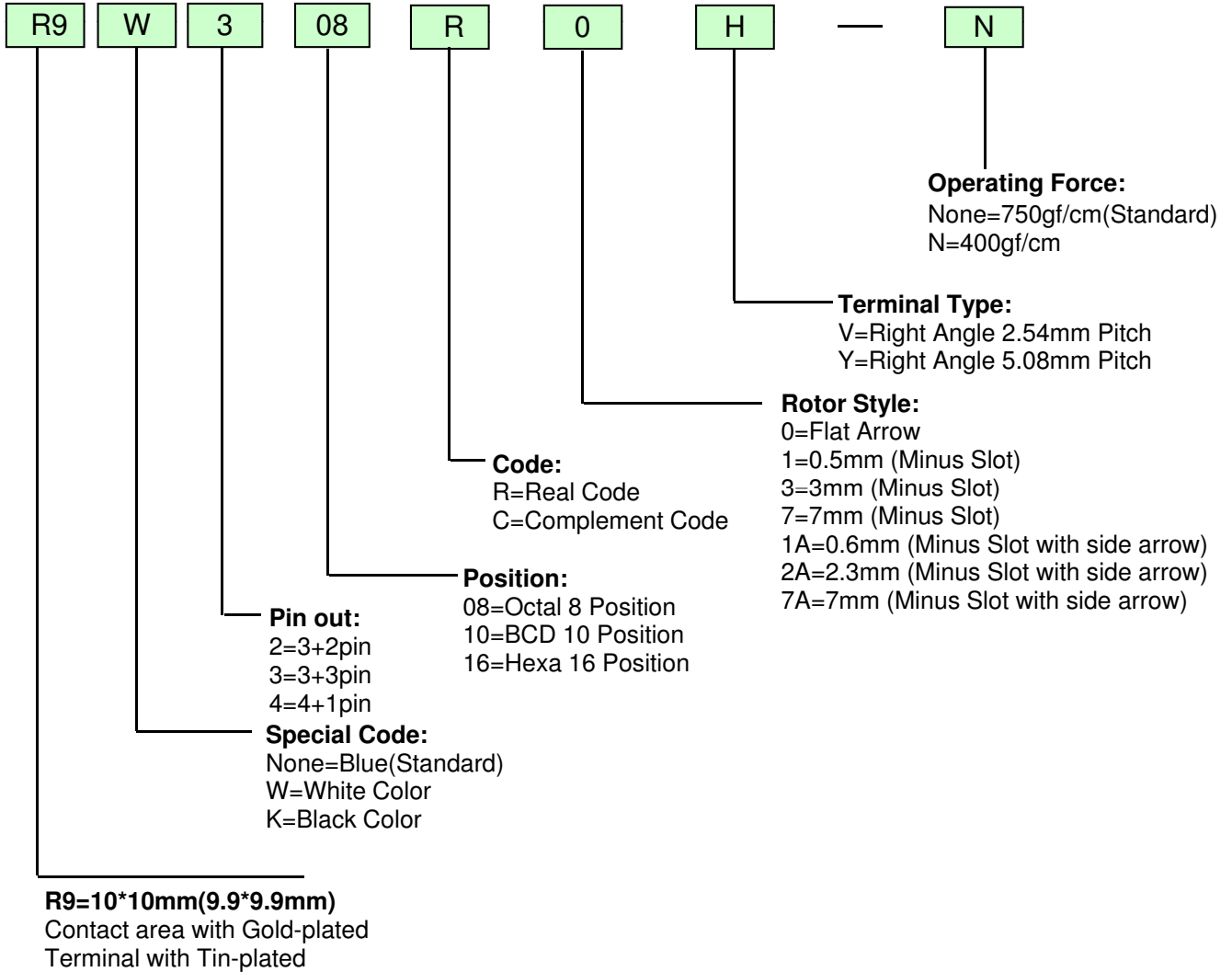
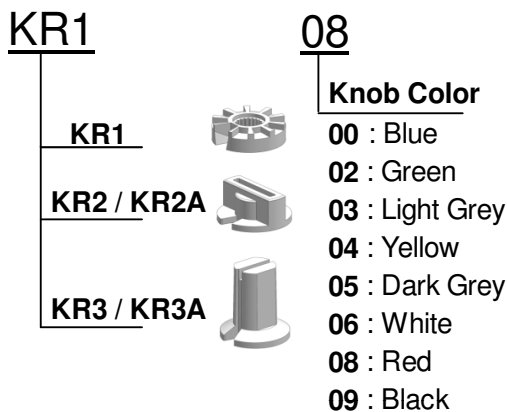


<b>MODEL</b>	<b>SPECIFICATION</b>		Page
<b>R9 Series</b> <b>Right Angle Type</b>	Rotary Coded Switch <b>RoHS&amp;REACH Compliant / Halogen Free</b>	SP-001	1/5

**Order Information:**



**Knob Order information**



**Note:**

1. All caps are not allowed to pass through soldering process.
2. All caps should be assembled after all soldering process finished.

<b>MODEL</b>	<b>SPECIFICATION</b> Rotary Coded Switch <b>RoHS&amp;REACH Compliant / Halogen Free</b>	SP-002	Page
<b>Blue Series</b> <b>Right Angle Type</b>			2/5

### Specifications

◆ Contact Rating		
Switching	.....	5VDC 20mA (Min. AC/DC 20mA 1μA)
Non Switching	.....	Max. 50VDC 100mA
◆ Contact	.....	100mΩ Max.
◆ Insulation Resistance	.....	1,000MΩ Min. at 100 VDC
◆ Dielectric Strength	.....	250VAC for 1 minute
◆ Operating Force	.....	750gf/cm (Standard)
	.....	400gf/cm Max. (N)
◆ Life	.....	20,000 Steps
◆ Operating Temperature	.....	-40°C ~ +85°C
◆ Storage Temperature	.....	-40°C ~ +85°C
◆ Waterproof	.....	Meet IP67

### Materials:

◆ Cover & Base	Halogen Free (R9).....	Thermoplastic UL 94 rate, Blue
	Halogen Free (R9W).....	Thermoplastic UL 94 rate, White
	Halogen Free (R9K).....	Thermoplastic UL 94 rate, Black
◆ Rotor	Halogen Free (R93/R92).....	Thermoplastic UL 94 rate, White/Red
	Halogen Free (R94).....	Thermoplastic UL 94 rate, Gray/Green
◆ Knob	Halogen Free.....	Thermoplastic, ABS UL 94 rate
◆ "O" Ring	.....	Silicone Rubber
◆ Step	.....	Stainless Steel
◆ Spacer	.....	Stainless Steel
◆ Movable Contact	.....	Gold-Plated
◆ Terminal Contact	.....	Gold-Plated
◆ Terminal	.....	Tin-Plated

### Code Format:

No. of Positions		16 Positions															
		08 Positions								10 Positions							
		0	1	2	3	4	5	6	7	8	9	A	B	C	D	E	F
Code	Real Code	8								●	●	●	●	●	●	●	
		4				●	●	●	●				●	●	●	●	
		2		●	●			●	●			●	●			●	●
		1	●		●		●		●		●		●		●		●
	Complementary Code	8	●	●	●	●	●	●	●								
		4	●	●	●	●				●	●	●	●				
		2	●	●			●	●		●	●			●	●		
		1	●		●		●		●		●		●		●		

<b>MODEL</b>	<b>SPECIFICATION</b>	SP-003	Page
<b>R9 series</b> <b>Right Angle Type</b>	<b>Rotary Coded SWITCH</b> <b>RoHS&amp;REACH Compliant / Halogen Free</b>		3/5

### Position

8 Position		10 Position		16 Position	
R92/93	R94	R92/93	R94	R92/93	R94

### Rotor Style

Standard Rotor	0 (Flat Type)	1 (0.5mm)	3 (3mm)	7 (7mm)
A type Rotor	1A (0.6mm)	2A (2.3mm)	7A (7mm)	

### Rotor Color

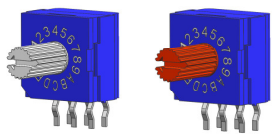
Real Code		Complement Code	
R93/R92 (White)	R94 (Grey)	R93/R92 (Red)	R94 (Green)

### Part Number Table:

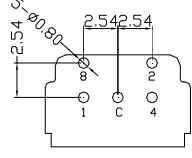
Pin Out	No. Pos.	Real Code			Complementary Code		
		V Type Flat Rotor Tube Package	Y Type 2.3mm Rotor Tube Package	Y Type 7mm Rotor Tube Package	V Type 0.6mm Rotor Tube Package	Y Type 3mm Rotor Tube Package	V Type 7mm Rotor Tube Package
3+2	08	R9208R0V	R9208R2AY	R9208R7Y	R9208C1AV	R9208C3Y	R9208C7V
	10	R9210R0V	R9210R2AY	R9210R7Y	R9210C1AV	R9210C3Y	R9210C7V
	16	R9216R0V	R9216R2AY	R9216R7Y	R9216C1AV	R9216C3Y	R9216C7V
3+3	08	R9308R0V	R9308R2AY	R9308R7Y	R9308C1AV	R9308C3Y	R9308C7V
	10	R9310R0V	R9310R2AY	R9310R7Y	R9310C1AV	R9310C3Y	R9310C7V
	16	R9316R0V	R9316R2AY	R9316R7Y	R9316C1AV	R9316C3Y	R9316C7V
4+1	08	R9408R0V			R9408C1AV		R9408C7V
	10	R9410R0V			R9410C1AV		R9410C7V
	16	R9416R0V			R9416C1AV		R9416C7V

MODEL	SPECIFICATION	Page
<b>R9 series</b> <b>Right Angle Type</b>	<b>Rotary Coded SWITCH</b> <b>RoHS&amp;REACH Compliant / Halogen Free</b>	SP-004 4/5

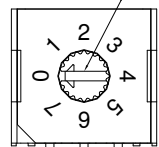
**R92-V**



PC board layout as viewed from the top of the switch



0.7WX3.2LX1.2D



5-0.60±0.1  
t=0.25

2.54±0.1

6.80±0.1

9.90±0.1

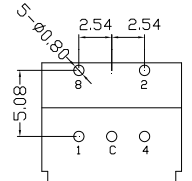
10.10±0.1

3.30±0.2

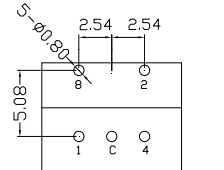
2.54±0.1

3.59±0.2

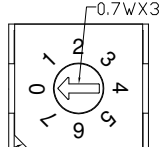
**R92-Y**



PC board layout as viewed from the top of the switch



0.7WX3.2LX1.2D



CORNER CLOSEST TO PIN #1

6-0.60±0.1  
t=0.25

2.54±0.1

2.54±0.1

9.34±0.1

9.90±0.1

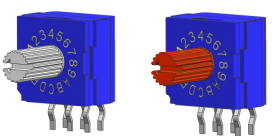
10.10±0.1

3.30±0.2

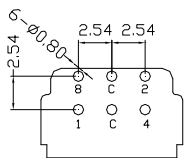
5.08±0.1

6.13±0.2

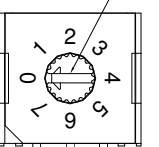
**R93-V**



PC board layout as viewed from the top of the switch



0.7WX3.2LX1.2D



6-0.60±0.1  
t=0.25

2.54±0.1

6.80±0.1

9.90±0.1

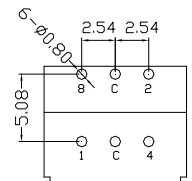
10.10±0.1

3.30±0.2

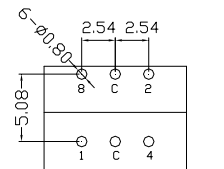
2.54±0.1

3.59±0.2

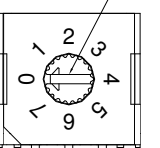
**R93-Y**



PC board layout as viewed from the top of the switch



0.7WX3.2LX1.2D



6-0.60±0.1  
t=0.25

2.54±0.1

9.34±0.1

9.90±0.1

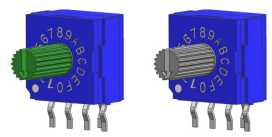
10.10±0.1

3.30±0.2

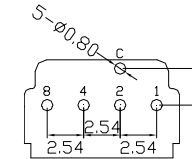
5.08±0.1

6.13±0.2

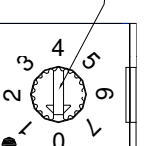
**R94-V**



PC board layout as viewed from the top of the switch



0.7WX3.2LX1.2D



5-0.60±0.1  
t=0.25

2.54±0.1

2.54±0.1

6.80±0.1

9.90±0.1

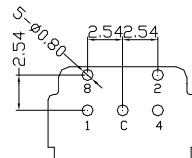
10.10±0.1

3.30±0.2

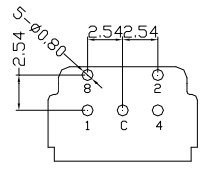
2.54±0.1

3.59±0.2

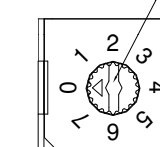
**\*A type Rotor**



PC board layout as viewed from the top of the switch



0.7WX3.2LX1.2D



5-0.60±0.1  
t=0.25

2.54±0.1

2.54±0.1

6.80±0.1

9.90±0.1

10.10±0.1

3.30±0.2

2.54±0.1

3.59±0.2

<b>MODEL</b>	<b>SPECIFICATION</b>		Page
<b>R9 series</b> <b>Right Angle Type</b>	<b>Rotary Coded SWITCH</b> <b>RoHS&amp;REACH Compliant / Halogen Free</b>	SP-005	5/5

**Soldering Information**

◆ **Hand Soldering**

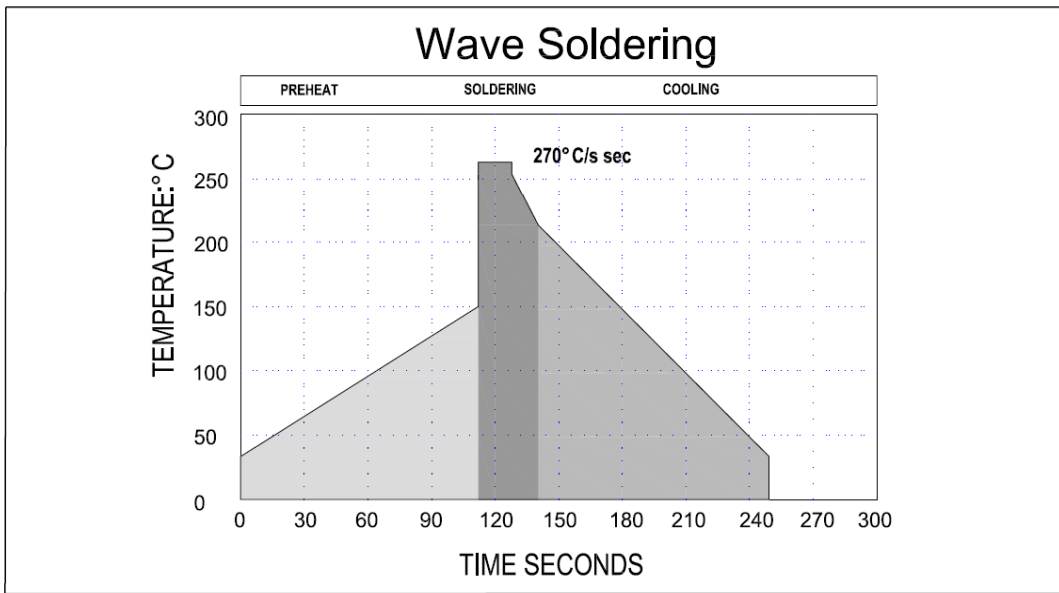
Soldering iron 30W or under at 350°C for 3 sec. max. or at 270°C for 5 sec. max.

◆ **Wave Soldering**

For lead free wave solder simulation of typical components, the solder bath temperature shall be maintained to 275°C.

The hold time in the solder shall be 10 +2/-0 seconds.

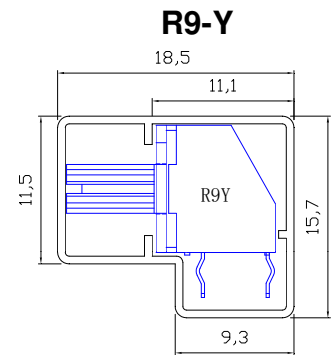
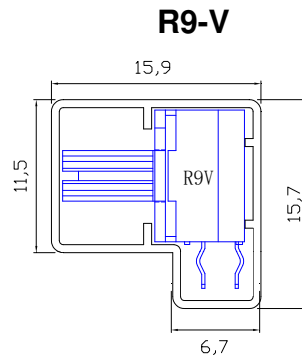
**Classification Wave Soldering Profiles**



**Maximum dwell time in the solder wave (270°C) shall not exceed 5 seconds.**

**Tube Package:**

Thru Hole ROTOR	V Type	Y Type
	0mm ~ 7mm	0mm ~ 7mm
Per TUBE (pcs)	45	45
BOX (pcs)	2025	2025
CTN 1 (pcs)	4050	4050
CTN 2 (pcs)	8100	8100



**Box Dimension:**

◆ Tube ..... 57.0cm x 13.0cm x 12.5cm

**Carton Dimension:**

◆ Tube  
 2 Boxes..... 58.5cm x 29.0cm x 15.0cm  
 4 Boxes..... 58.5cm x 28.0cm x 27.0cm

## X-ON Electronics

Largest Supplier of Electrical and Electronic Components

*Click to view similar products for [Coded Rotary Switches](#) category:*

*Click to view products by [BIWIN](#) manufacturer:*

Other Similar products are found below :

[PT65503RT](#) [Y36D02243FPLFT](#) [RTAP31S12WFLSP](#) [MADR-16H1](#) [GSER-10](#) [6KF001B-3S10R4-0](#) [EC11E153442W](#) [SC-2110](#) [SD-2010TB](#)  
[MER-16H](#) [EDR-08](#) [USR-10](#) [FSR-08](#) [FSR-04S](#) [ESR-16](#) [HAMR-10S](#) [SDR-10H](#) [QSR-16H](#) [HAMR-16](#) [FDR-04S](#) [EDR-16S](#) [ESR-10S](#) [QDR-](#)  
[08H1](#) [TDR-04](#) [EDR-08S](#) [ESR-16H](#) [QDR-10](#) [EDR-10S](#) [QSR-06S](#) [ESR-08S](#) [EC11E156040N](#) [EC11B15243DC](#) [EC35AH220501](#)  
[EC18AGB20406](#) [EC11E09244C3](#) [EC11G1534414](#) [EC11E156T402](#) [EC60A1520405](#) [EC11E1564454](#) [EC11J0925501](#) [EC11E15204B1](#)  
[EC11E1564439](#) [EC50A0920403](#) [ED103180-FE14.5S7.5-A16-1010](#) [ED08C030-FE18C9.0-A16-1002X](#) [ED08C210-FE18A6.0-A16-1002](#)  
[ED08C110-FE18S9.0-A16-1040](#) [ED08C150-BM20S6.0-A16-1026](#) [ED103010-SP17S8.0-A16-1012](#) [ED113020-FB15S7.0-C12-0005](#)