

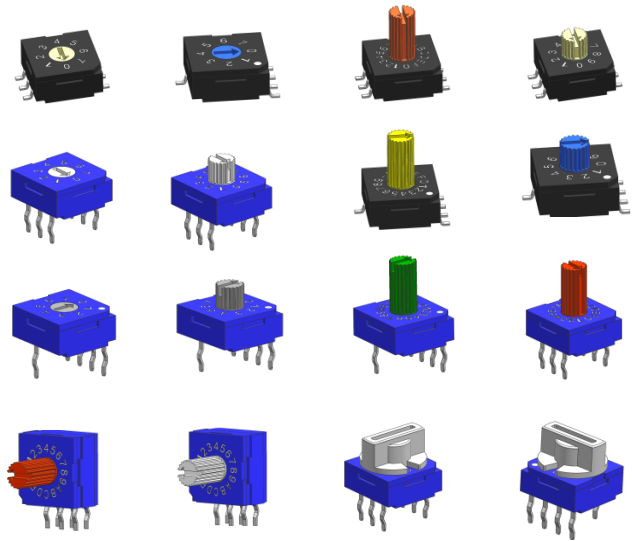


### Features

- ◆ Sealed Construction, No Tape Seal Required
- ◆ Surface Mount, Thru-Hole and Right Angle 2.54 & 5.08mm
- ◆ Octal, Decimal and Hexadecimal Code in Real or Complement
- ◆ Gold-Plated Contacts
- ◆ Flush or Extended Rotors
- ◆ Knobs available
- ◆ Washable meet IP67

### Specifications

- ◆ Contact Rating
  - Switching : 5VDC 20mA (Min. AC/DC 20mA 1µA)
  - Non Switching : Max. 50VDC 100mA
- ◆ Contact Resistance : 100mΩ Max
- ◆ Insulation Resistance : 1,000MΩ Min. at 100VDC
- ◆ Dielectric Strength : 250VAC for 1 minute
- ◆ Operating Force : 400gf/cm Max. (Standard)  
: 200gf/cm Max. (N type)
- ◆ Life : 20,000 Steps
- ◆ Operating Temperature : -40°C ~+85°C
- ◆ Storage Temperature : -40°C ~+85°C
- ◆ Hand Soldering : 350°C 3 Sec. max
- ◆ Wave Soldering : 260±5°C for 10 sec. max.
- ◆ Reflow Soldering : Peak temp.: 245°C max. The time above 240 must be 30 sec. max.



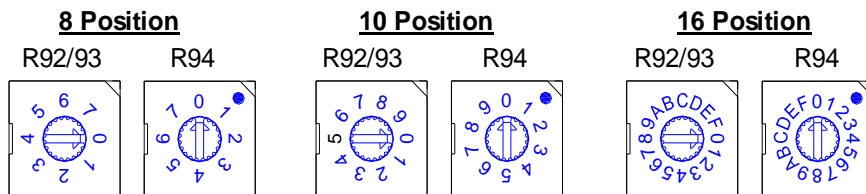
### Code Format

No. of positions		(10 positions)										(16 positions)						
		(08 positions)																
		Position	0	1	2	3	4	5	6	7	8	9	A	B	C	D	E	F
Code	Real code	8																
		4																
		2																
	Complementary code	1																
		8																
		4																
		2																
		1																

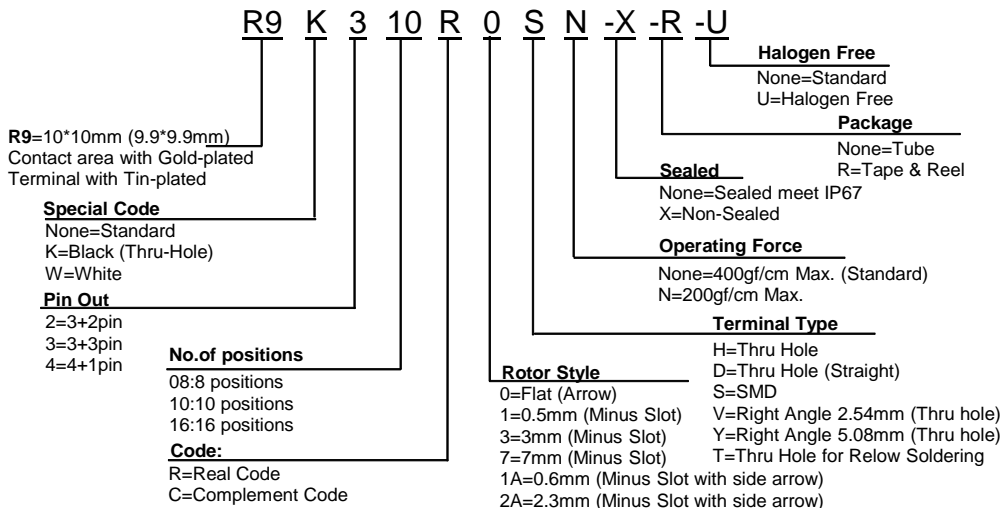
### Package

P/N	No. Of Pole	Quantity per Tube
R92_H/D/T/S	08 / 10 / 16	50
R92_V/Y	08 / 10 / 16	45
R93_H/D/T/S	08 / 10 / 16	50
R93_V/Y	08 / 10 / 16	45
R94_H/D/T/S	08 / 10 / 16	50
R94_V	08 / 10 / 16	45
P/N	No. Of Pole	Quantity per Reel
R9_0/1S-R	08 / 10 / 16	600
R9_2/3S-R	08 / 10 / 16	350
R9_7S-R	08 / 10 / 16	200
R9_7H/T-R	08 / 10 / 16	140

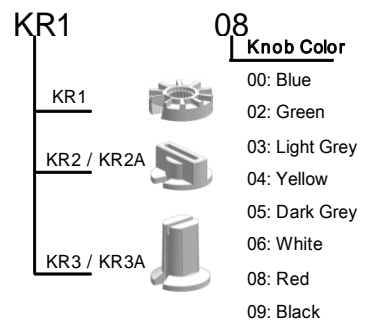
### Position



### Order Information



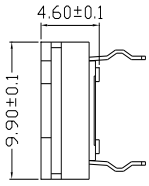
### Knob Order Information



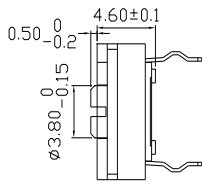


Rotor

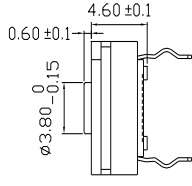
Flat



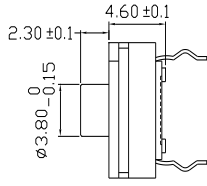
0.5mm



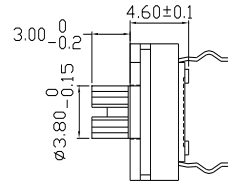
0.6mm



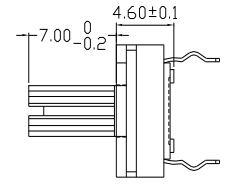
2.3mm



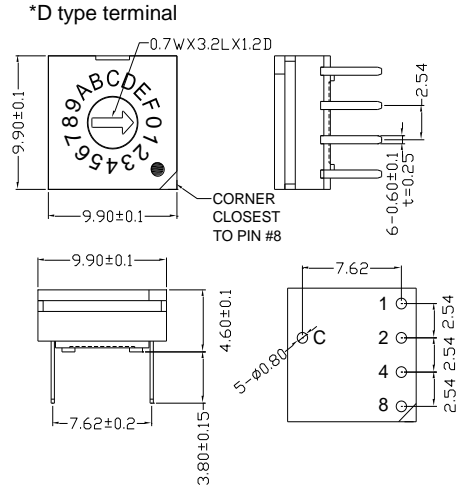
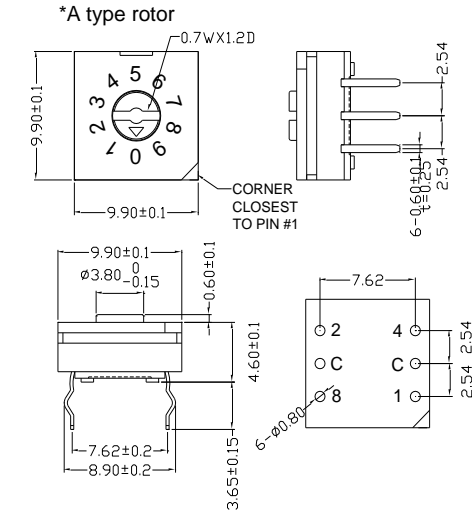
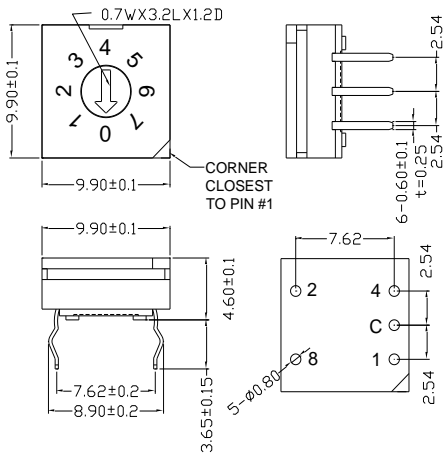
3mm



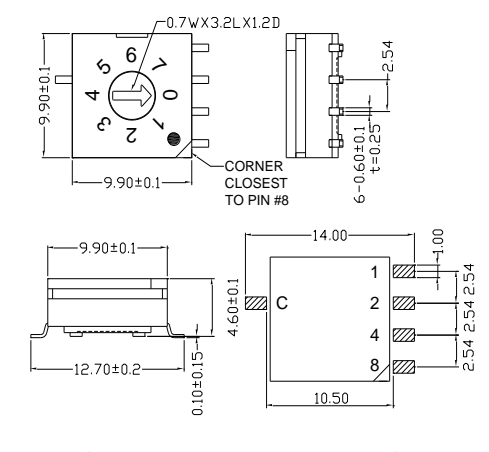
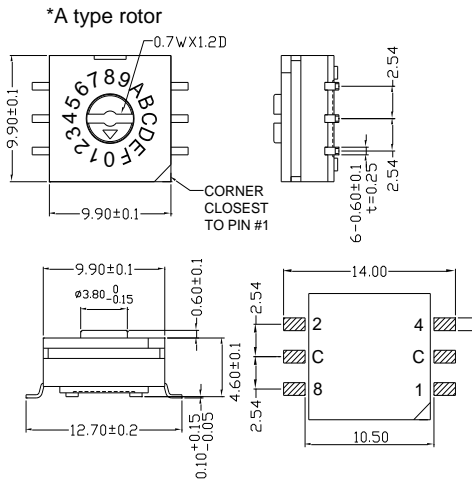
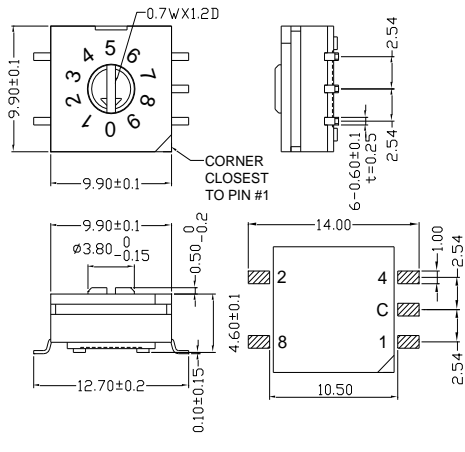
7mm



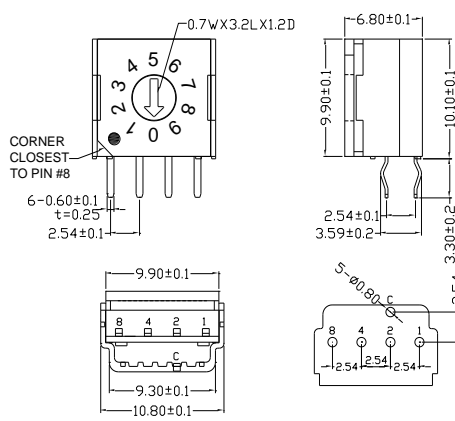
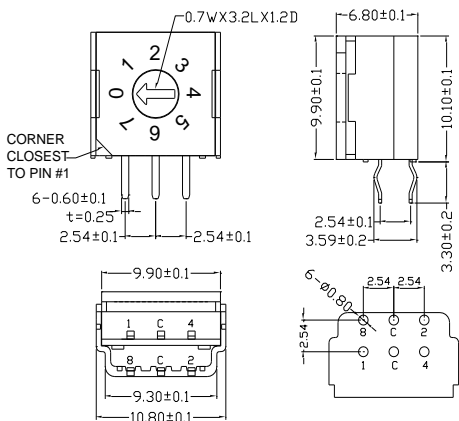
R9 - H/D (Thru-Hole)



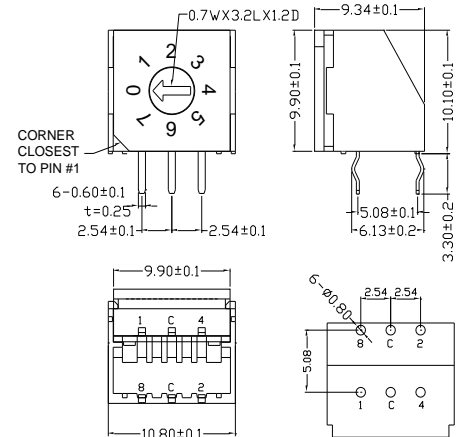
R9 - S (SMD)



R9 - V (Right Angle 2.54mm)



R9 - Y (Right Angle 5.08mm)



## X-ON Electronics

Largest Supplier of Electrical and Electronic Components

*Click to view similar products for [Coded Rotary Switches](#) category:*

*Click to view products by [BIWIN](#) manufacturer:*

Other Similar products are found below :

[PT65503RT](#) [Y36D02243FPLFT](#) [RTAP31S12WFLSP](#) [MADR-16H1](#) [GSER-10](#) [6KF001B-3S10R4-0](#) [EC11E153442W](#) [SC-2110](#) [SD-2010TB](#)  
[MER-16H](#) [EDR-08](#) [USR-10](#) [FSR-08](#) [FSR-04S](#) [ESR-16](#) [HAMR-10S](#) [SDR-10H](#) [QSR-16H](#) [HAMR-16](#) [FDR-04S](#) [EDR-16S](#) [ESR-10S](#) [QDR-](#)  
[08H1](#) [TDR-04](#) [EDR-08S](#) [ESR-16H](#) [QDR-10](#) [EDR-10S](#) [QSR-06S](#) [ESR-08S](#) [EC11E156040N](#) [EC11B15243DC](#) [EC35AH220501](#)  
[EC18AGB20406](#) [EC11E09244C3](#) [EC11G1534414](#) [EC11E156T402](#) [EC60A1520405](#) [EC11E1564454](#) [EC11J0925501](#) [EC11E15204B1](#)  
[EC11E1564439](#) [EC50A0920403](#) [ED103180-FE14.5S7.5-A16-1010](#) [ED08C030-FE18C9.0-A16-1002X](#) [ED08C210-FE18A6.0-A16-1002](#)  
[ED08C110-FE18S9.0-A16-1040](#) [ED08C150-BM20S6.0-A16-1026](#) [ED103010-SP17S8.0-A16-1012](#) [ED113020-FB15S7.0-C12-0005](#)