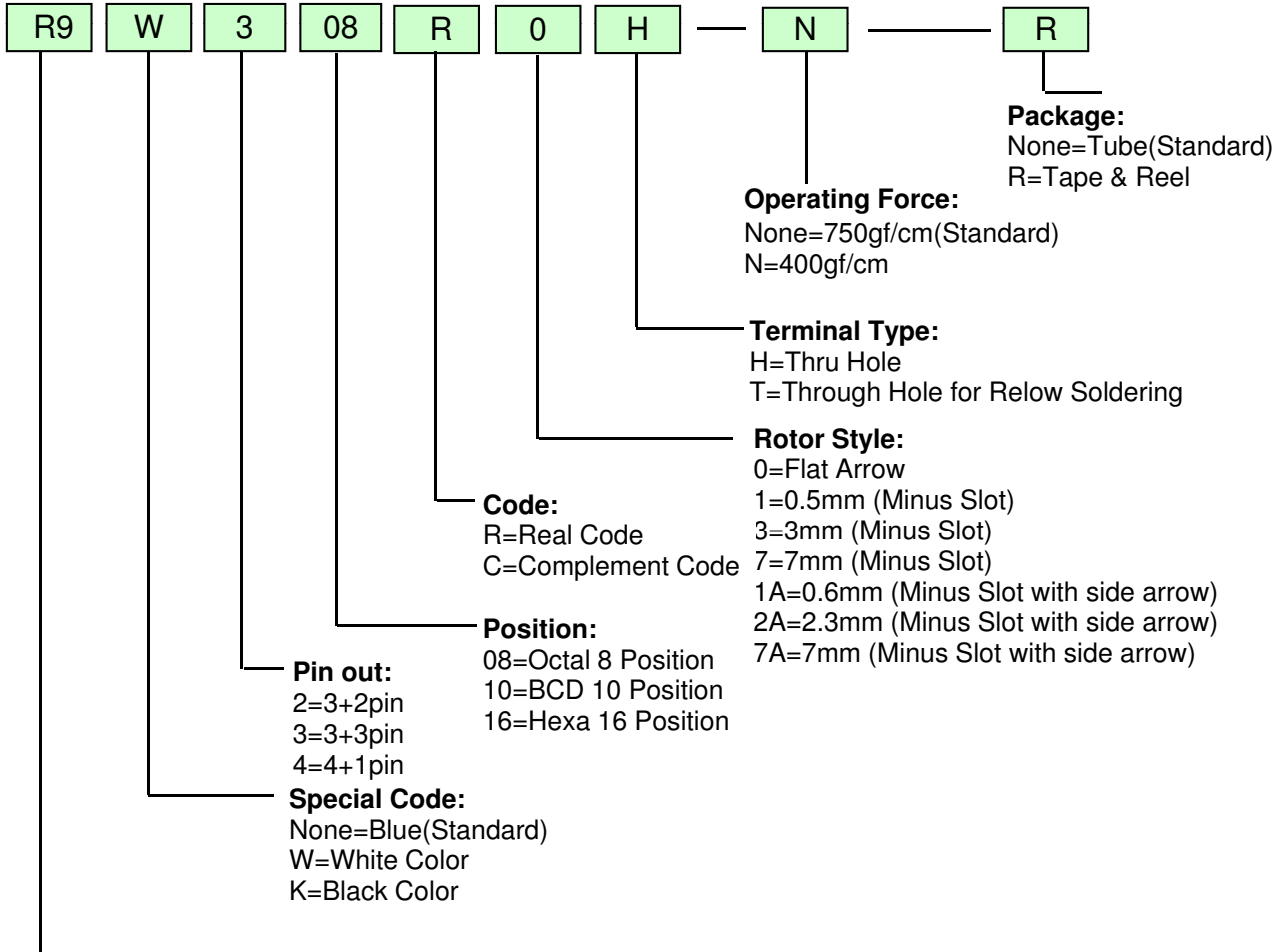


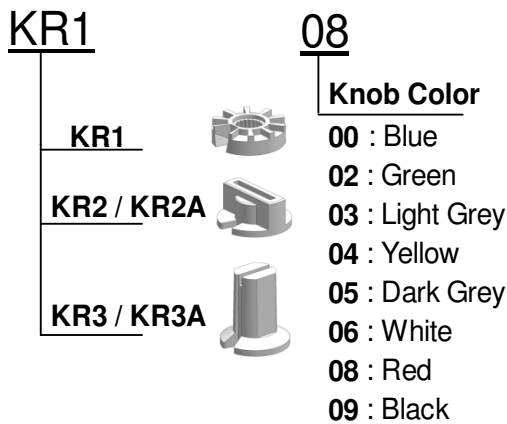
MODEL	SPECIFICATION Rotary Coded Switch RoHS&REACH Compliant / Halogen Free	SP-001	Page
R9 Series Thru-Hole Type			1/6

Order Information:



R9=10*10mm(9.9*9.9mm)
Contact area with Gold-plated
Terminal with Tin-plated

Knob Order information



Note:

1. All caps are not allowed to pass through soldering process.
2. All caps should be assembled after all soldering process finished.

MODEL		SPECIFICATION Rotary Coded Switch RoHS&REACH Compliant / Halogen Free	Page
R9 series Thru-Hole Type			SP-003 3/6

Position

8 Position		10 Position		16 Position	
R92/93	R94	R92/93	R94	R92/93	R94

Rotor Style

Standard Rotor	0 (Flat Type)	1 (0.5mm)	3 (3mm)	7 (7mm)
A type Rotor	1A (0.6mm)	2A (2.3mm)	7A (7mm)	

Rotor Color

Real Code		Complement Code	
R93/R92 (White)	R94 (Grey)	R93/R92 (Red)	R94 (Green)

Part Number Table:

Pin Out	No. Pos.	Real Code			Complementary Code		
		H/T Type Flat Rotor Tube Package	H/T Type 0.5mm Rotor Tube Package	H/T Type 7mm Rotor Tube Package	H/T Type 0.6mm Rotor Tube Package	H/T Type 2.3mm Rotor Tube Package	H/T Type 7mm Rotor Tube Package
3+2	08	R9208R0H/T	R9208R1H/T	R9208R7H/T	R9208C1A/H/T	R9208C2A/H/T	R9208C7A/H/T
	10	R9210R0H/T	R9210R1H/T	R9210R7H/T	R9210C1A/H/T	R9210C2A/H/T	R9210C7A/H/T
	16	R9216R0H/T	R9216R1H/T	R9216R7H/T	R9216C1A/H/T	R9216C2A/H/T	R9216C7A/H/T
3+3	08	R9308R0H/T	R9308R1H/T	R9308R7H/T	R9308C1A/H/T	R9308C2A/H/T	R9308C7A/H/T
	10	R9310R0H/T	R9310R1H/T	R9310R7H/T	R9310C1A/H/T	R9310C2A/H/T	R9310C7A/H/T
	16	R9316R0H/T	R9316R1H/T	R9316R7H/T	R9316C1A/H/T	R9316C2A/H/T	R9316C7A/H/T
4+1	08	R9408R0H/T	R9408R1H/T	R9408R7H/T	R9408C1A/H/T	R9408C2A/H/T	R9408C7A/H/T
	10	R9410R0H/T	R9410R1H/T	R9410R7H/T	R9410C1A/H/T	R9410C2A/H/T	R9410C7A/H/T
	16	R9416R0H/T	R9416R1H/T	R9416R7H/T	R9416C1A/H/T	R9416C2A/H/T	R9416C7A/H/T

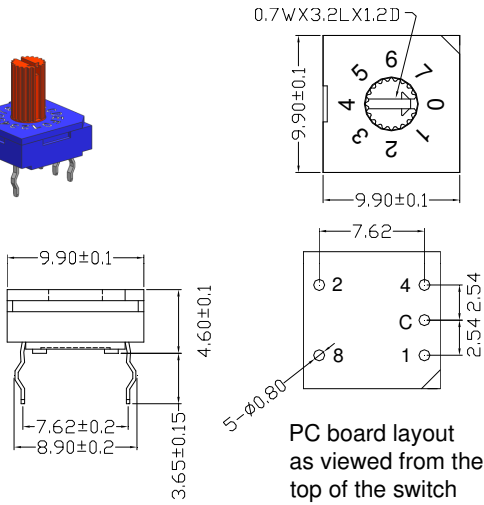
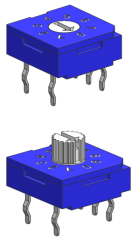
MODEL

R9 series
Thru-Hole Type

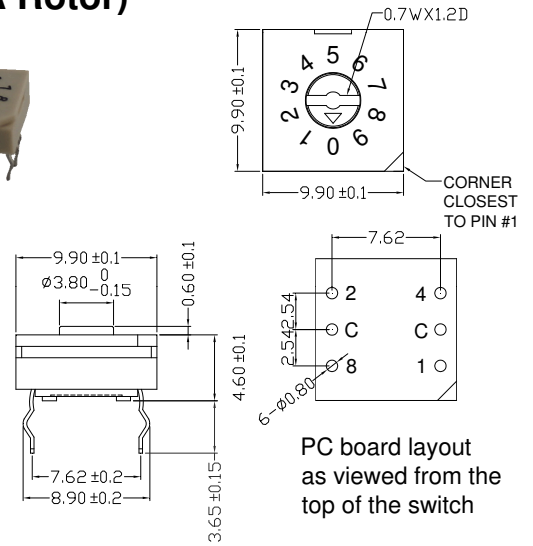
SPECIFICATION
Rotary Coded Switch

RoHS&REACH Compliant / Halogen Free

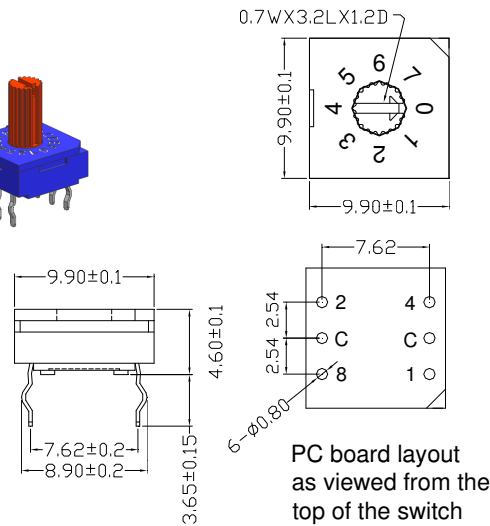
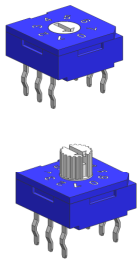
R92



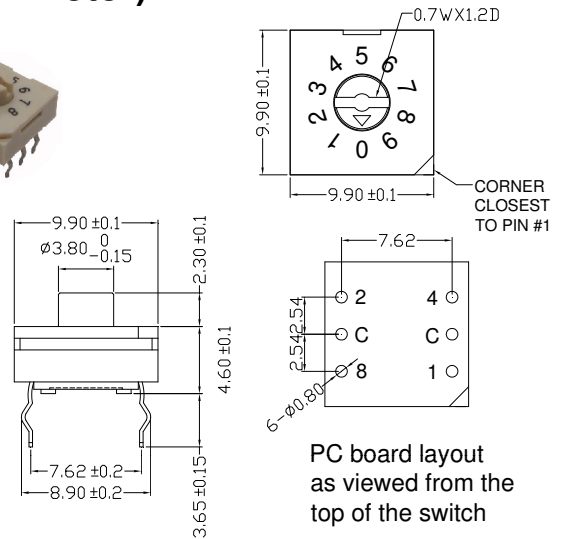
R93(1A Rotor)



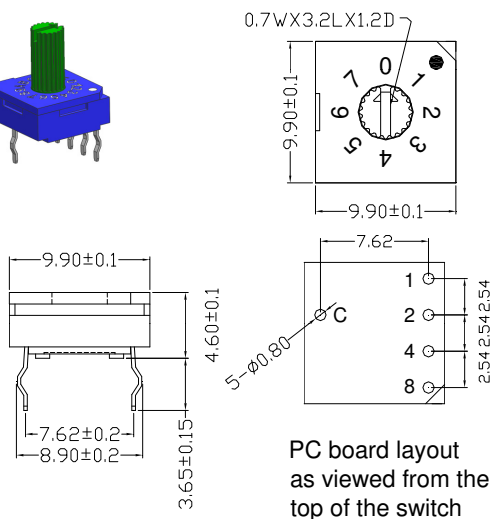
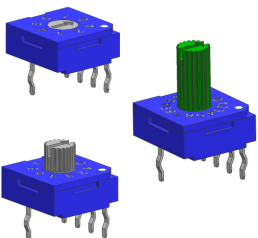
R93



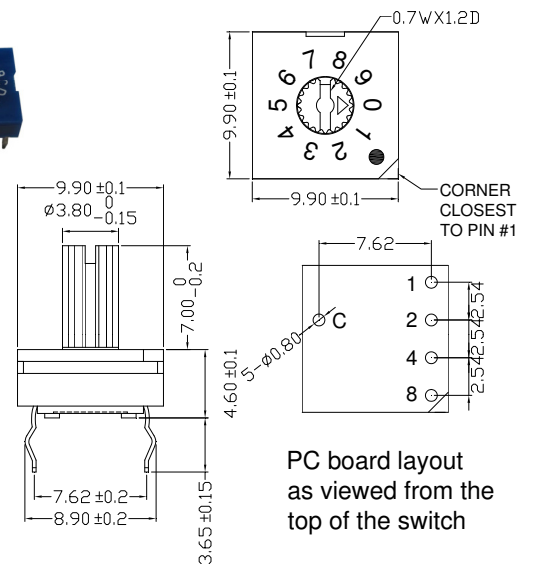
R93(2A Rotor)



R94



R94(7A Rotor)



MODEL	SPECIFICATION	Page
R9 series Thru-Hole Type	Rotary Coded Switch RoHS&REACH Compliant / Halogen Free	SP-005 5/6

Soldering Information

◆ Hand Soldering

Soldering iron 30W or under at 350°C for 3 sec. max. or at 270°C for 5 sec. max.

◆ Wave Soldering

For lead free wave solder simulation of typical components, the solder bath temperature shall be maintained to 275°C.

The hold time in the solder shall be 10 +2/-0 seconds.

◆ Reflow Soldering(For Through-Hole reflow type)

260°C +/-5°C within 30sec for reflow, In-line or Batch system.

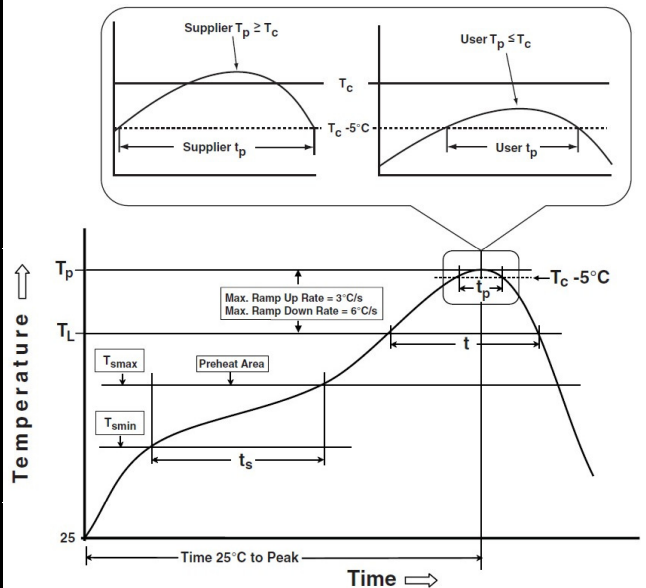
The table copy from IPC/JEDEC J-STD-020 D.1

Profile Feature	Pb-Free Assembly
Preheat / Soak	
Temperature Min (T _{Smin})	150°C
Temperature Max (T _{Smax})	200°C
Time(ts) from (T _{Smin} to T _{Smax})	60 ~120 seconds
Ramp-up Rate (T _L to T _p)	3°C /second max
Liquidous temperature (T _L)	217°C
Time (t _L) maintained above to T _L	60 ~ 150 seconds
Peak package body temperature (T _p)	For users T _p must not exceed the Classification temp:250°C (Package Thickness>2.5mm) For suppliers T _p must equal or exceed the Classification temp:250°C (Package Thickness>2.5mm)
Time (t _p) within 5°C of specified classification temperature (T _c)	30 seconds
Ramp-Down Rate (T _p to T _L)	6°C /second max
Time 25°C to Peak Temperature	8 minutes max
* Tolerance for peak profile temperature(T _p) is defined as a supplier minimum and a user maximum	

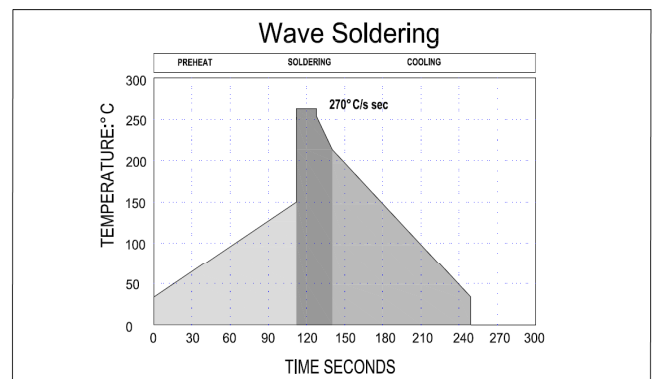
Note 1: All temperatures refer to topside of the package, measured on the package body surface.

Note 2: Time within 5 °C of actual peak temperature (t_p) specified for the reflow profiles is a "supplier" minimum and "user" maximum.

Classification Reflow Soldering Profiles



Classification Wave Soldering Profiles

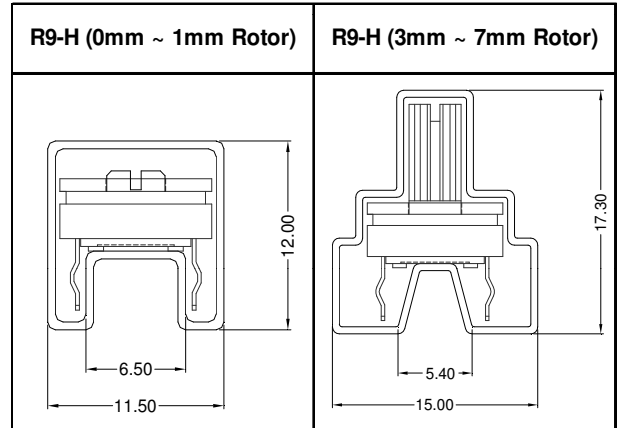


Maximum dwell time in the solder wave (270°C) shall not exceed 5 seconds.

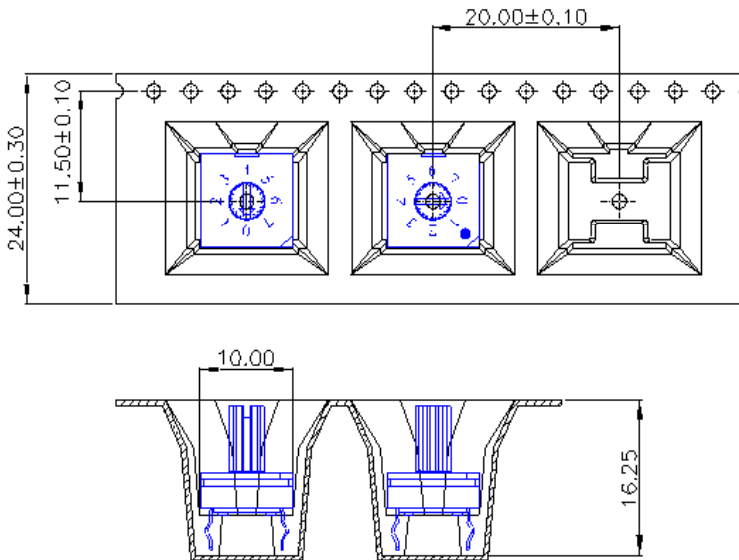
MODEL	SPECIFICATION Rotary Coded Switch RoHS&REACH Compliant / Halogen Free	SP-006	Page
R9 Series Thru-Hole Type			6/6

Tube Package:

Thru Hole ROTOR		H/T Type 0mm ~ 1mm	H/T Type 3mm ~ 7mm
Per TUBE	(pcs)	50	50
BOX	(pcs)	4000	2000
CTN 1	(pcs)	8000	4000
CTN 2	(pcs)	16000	8000



Tape & Reel package (for 7mm Rotor)



Box Dimension:

- ◆ Tube 57.0cm x 13.0cm x 12.5cm
- ◆ Tape & Reel 34.5cm x 34.5cm x 15.0cm

Carton Dimension:

- ◆ Tube 2 Boxes..... 58.5cm x 29.0cm x 15.0cm
- 4 Boxes..... 58.5cm x 28.0cm x 27.0cm
- ◆ Tape & Reel 1 Box..... 34.5cm x 34.5cm x 15.0cm
- 2 Boxes..... 36.0cm x 27.5cm x 37.0cm

X-ON Electronics

Largest Supplier of Electrical and Electronic Components

Click to view similar products for [Coded Rotary Switches](#) category:

Click to view products by [BIWIN](#) manufacturer:

Other Similar products are found below :

[PT65503RT](#) [Y36D02243FPLFT](#) [RTAP31S12WFLSP](#) [MADR-16H1](#) [GSER-10](#) [6KF001B-3S10R4-0](#) [EC11E153442W](#) [SC-2110](#) [SD-2010TB](#)
[MER-16H](#) [EDR-08](#) [USR-10](#) [FSR-08](#) [FSR-04S](#) [ESR-16](#) [HAMR-10S](#) [SDR-10H](#) [QSR-16H](#) [HAMR-16](#) [FDR-04S](#) [EDR-16S](#) [ESR-10S](#) [QDR-](#)
[08H1](#) [TDR-04](#) [EDR-08S](#) [ESR-16H](#) [QDR-10](#) [EDR-10S](#) [QSR-06S](#) [ESR-08S](#) [EC11E156040N](#) [EC11B15243DC](#) [EC35AH220501](#)
[EC18AGB20406](#) [EC11E09244C3](#) [EC11G1534414](#) [EC11E156T402](#) [EC60A1520405](#) [EC11E1564454](#) [EC11J0925501](#) [EC11E15204B1](#)
[EC11E1564439](#) [EC50A0920403](#) [ED103180-FE14.5S7.5-A16-1010](#) [ED08C030-FE18C9.0-A16-1002X](#) [ED08C210-FE18A6.0-A16-1002](#)
[ED08C110-FE18S9.0-A16-1040](#) [ED08C150-BM20S6.0-A16-1026](#) [ED103010-SP17S8.0-A16-1012](#) [ED113020-FB15S7.0-C12-0005](#)