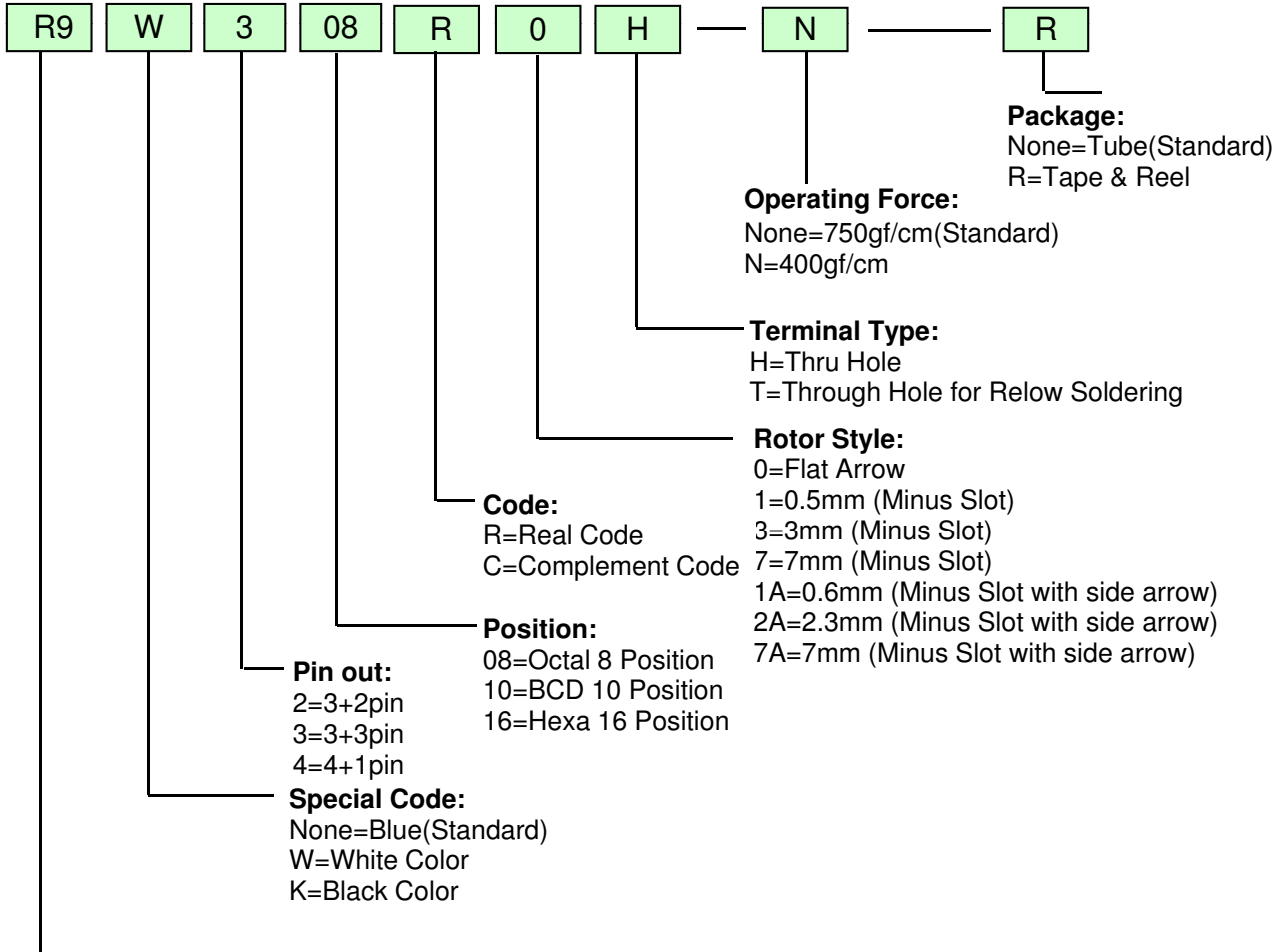


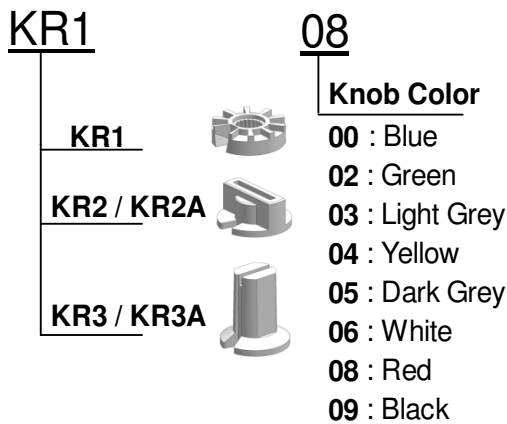
<b>MODEL</b>	<b>SPECIFICATION</b> Rotary Coded Switch <b>RoHS&amp;REACH Compliant / Halogen Free</b>	SP-001	Page
<b>R9 Series</b> <b>Thru-Hole Type</b>			1/6

**Order Information:**



**R9=10\*10mm(9.9\*9.9mm)**  
Contact area with Gold-plated  
Terminal with Tin-plated

**Knob Order information**



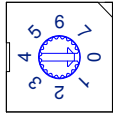
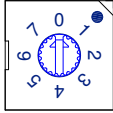
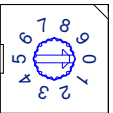
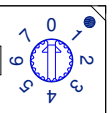
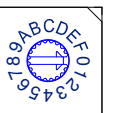
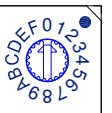
**Note:**

1. All caps are not allowed to pass through soldering process.
2. All caps should be assembled after all soldering process finished.

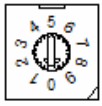
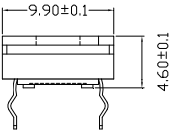
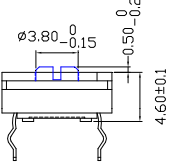
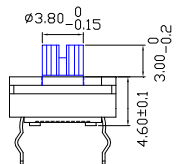
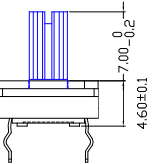

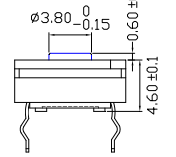
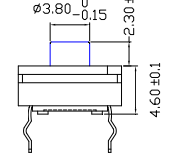
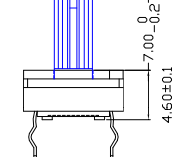


<b>MODEL</b>		<b>SPECIFICATION</b> Rotary Coded Switch <b>RoHS&amp;REACH Compliant / Halogen Free</b>	<b>Page</b>
<b>R9 series</b> <b>Thru-Hole Type</b>			SP-003 3/6

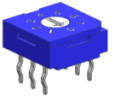
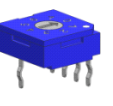
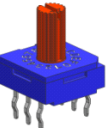
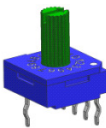
### Position

8 Position		10 Position		16 Position	
R92/93	R94	R92/93	R94	R92/93	R94
					

### Rotor Style

Standard Rotor	0 (Flat Type)	1 (0.5mm)	3 (3mm)	7 (7mm)
				
A type Rotor	1A (0.6mm)	2A (2.3mm)	7A (7mm)	
				

### Rotor Color

Real Code		Complement Code	
R93/R92 (White)	R94 (Grey)	R93/R92 (Red)	R94 (Green)
			

### Part Number Table:

Pin Out	No. Pos.	Real Code			Complementary Code		
		H/T Type Flat Rotor Tube Package	H/T Type 0.5mm Rotor Tube Package	H/T Type 7mm Rotor Tube Package	H/T Type 0.6mm Rotor Tube Package	H/T Type 2.3mm Rotor Tube Package	H/T Type 7mm Rotor Tube Package
3+2	08	R9208R0H/T	R9208R1H/T	R9208R7H/T	R9208C1A/H/T	R9208C2A/H/T	R9208C7A/H/T
	10	R9210R0H/T	R9210R1H/T	R9210R7H/T	R9210C1A/H/T	R9210C2A/H/T	R9210C7A/H/T
	16	R9216R0H/T	R9216R1H/T	R9216R7H/T	R9216C1A/H/T	R9216C2A/H/T	R9216C7A/H/T
3+3	08	R9308R0H/T	R9308R1H/T	R9308R7H/T	R9308C1A/H/T	R9308C2A/H/T	R9308C7A/H/T
	10	R9310R0H/T	R9310R1H/T	R9310R7H/T	R9310C1A/H/T	R9310C2A/H/T	R9310C7A/H/T
	16	R9316R0H/T	R9316R1H/T	R9316R7H/T	R9316C1A/H/T	R9316C2A/H/T	R9316C7A/H/T
4+1	08	R9408R0H/T	R9408R1H/T	R9408R7H/T	R9408C1A/H/T	R9408C2A/H/T	R9408C7A/H/T
	10	R9410R0H/T	R9410R1H/T	R9410R7H/T	R9410C1A/H/T	R9410C2A/H/T	R9410C7A/H/T
	16	R9416R0H/T	R9416R1H/T	R9416R7H/T	R9416C1A/H/T	R9416C2A/H/T	R9416C7A/H/T

**MODEL**

**R9 series**  
**Thru-Hole Type**

**SPECIFICATION**  
**Rotary Coded Switch**

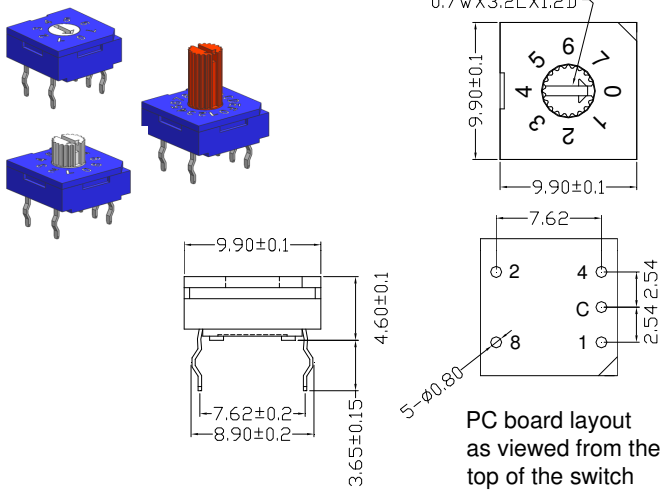
**RoHS&REACH Compliant / Halogen Free**

**Page**

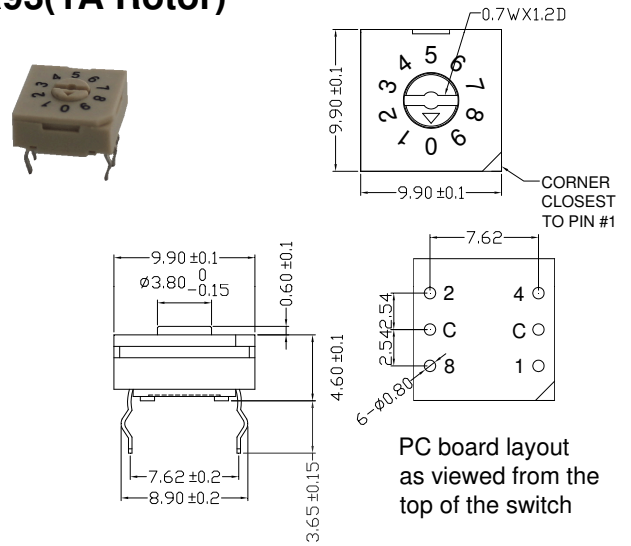
**SP-004**

**4/6**

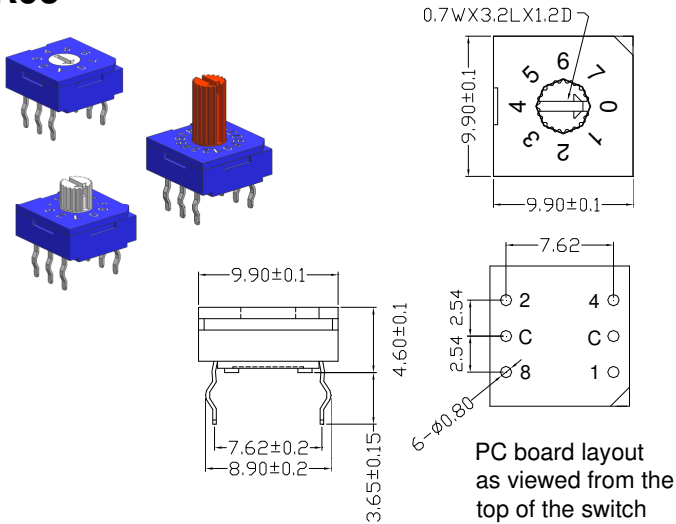
**R92**



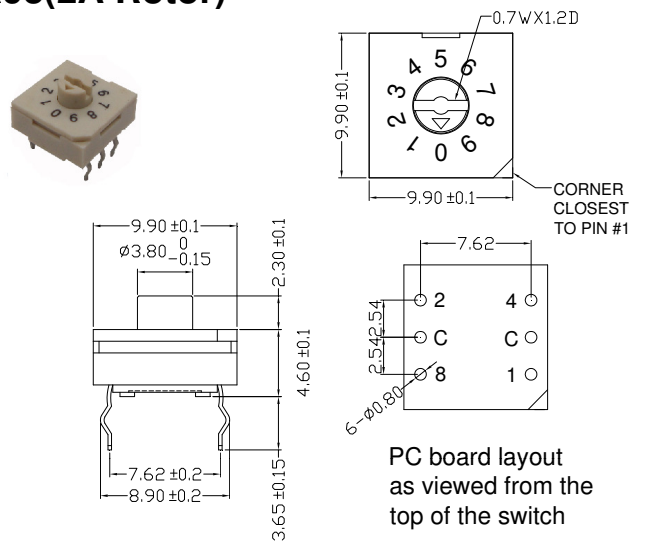
**R93(1A Rotor)**



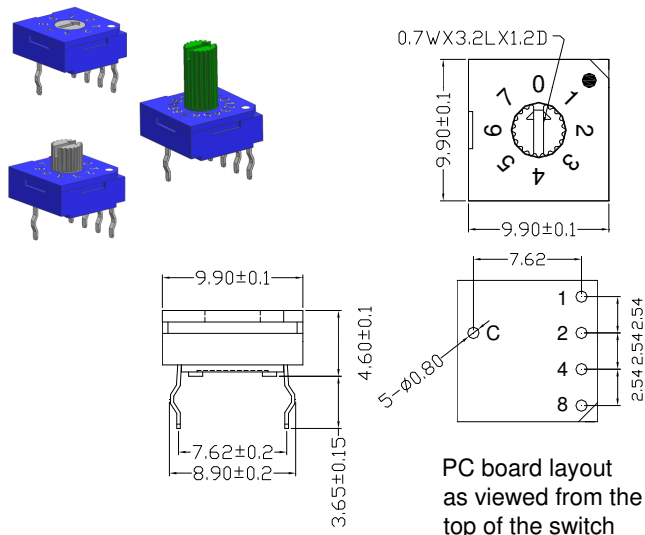
**R93**



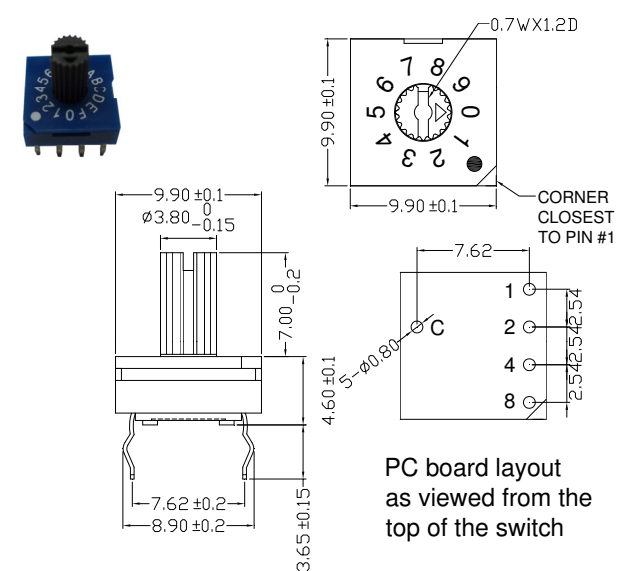
**R93(2A Rotor)**



**R94**



**R94(7A Rotor)**



<b>MODEL</b>	<b>SPECIFICATION</b>	<b>Page</b>
<b>R9 series</b> <b>Thru-Hole Type</b>	<b>Rotary Coded Switch</b> <b>RoHS&amp;REACH Compliant / Halogen Free</b>	<b>SP-005</b> <b>5/6</b>

### Soldering Information

#### ◆ Hand Soldering

Soldering iron 30W or under at 350°C for 3 sec. max. or at 270°C for 5 sec. max.

#### ◆ Wave Soldering

For lead free wave solder simulation of typical components, the solder bath temperature shall be maintained to 275°C.

The hold time in the solder shall be 10 +2/-0 seconds.

#### ◆ Reflow Soldering(For Through-Hole reflow type)

260°C +/-5°C within 30sec for reflow, In-line or Batch system.

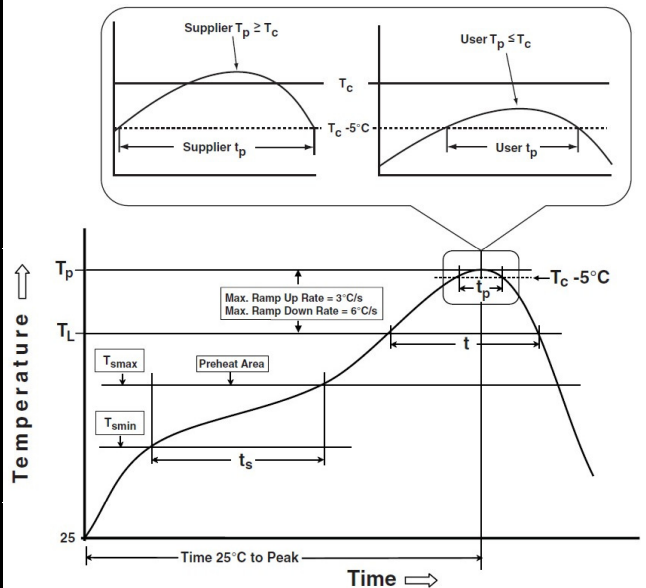
The table copy from IPC/JEDEC J-STD-020 D.1

Profile Feature	Pb-Free Assembly
<b>Preheat / Soak</b>	
Temperature Min (T <sub>Smin</sub> )	150°C
Temperature Max (T <sub>Smax</sub> )	200°C
Time(ts) from (T <sub>Smin</sub> to T <sub>Smax</sub> )	60 ~120 seconds
Ramp-up Rate (T <sub>L</sub> to T <sub>p</sub> )	3°C /second max
Liquidous temperature (T <sub>L</sub> )	217°C
Time (t <sub>L</sub> ) maintained above to T <sub>L</sub>	60 ~ 150 seconds
Peak package body temperature (T <sub>p</sub> )	For users T <sub>p</sub> must not exceed the Classification temp:250°C (Package Thickness>2.5mm) For suppliers T <sub>p</sub> must equal or exceed the Classification temp:250°C (Package Thickness>2.5mm)
Time (t <sub>p</sub> ) within 5°C of specified classification temperature (T <sub>c</sub> )	30 seconds
Ramp-Down Rate (T <sub>p</sub> to T <sub>L</sub> )	6°C /second max
Time 25°C to Peak Temperature	8 minutes max
* Tolerance for peak profile temperature(T <sub>p</sub> ) is defined as a supplier minimum and a user maximum	

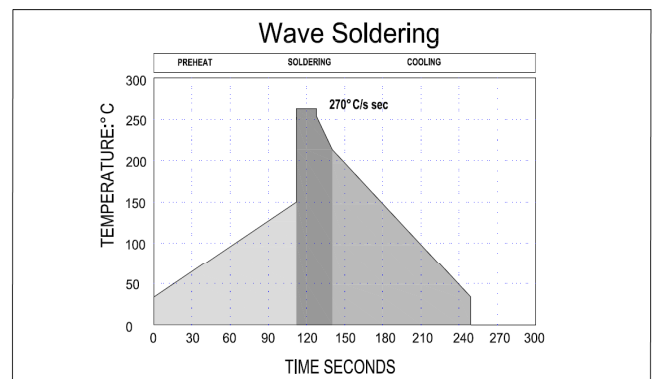
Note 1: All temperatures refer to topside of the package, measured on the package body surface.

Note 2: Time within 5 °C of actual peak temperature (t<sub>p</sub>) specified for the reflow profiles is a "supplier" minimum and "user" maximum.

### Classification Reflow Soldering Profiles



### Classification Wave Soldering Profiles

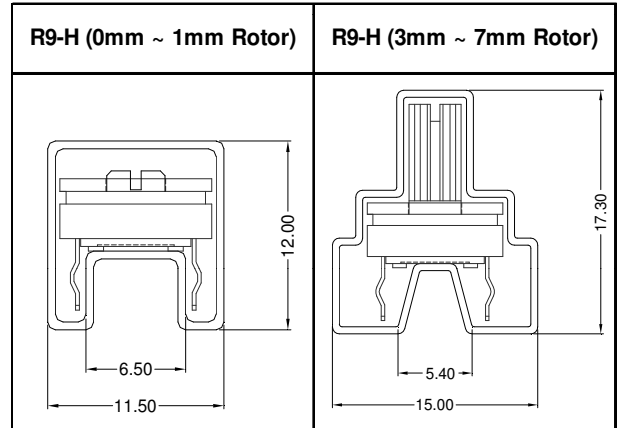


**Maximum dwell time in the solder wave (270°C) shall not exceed 5 seconds.**

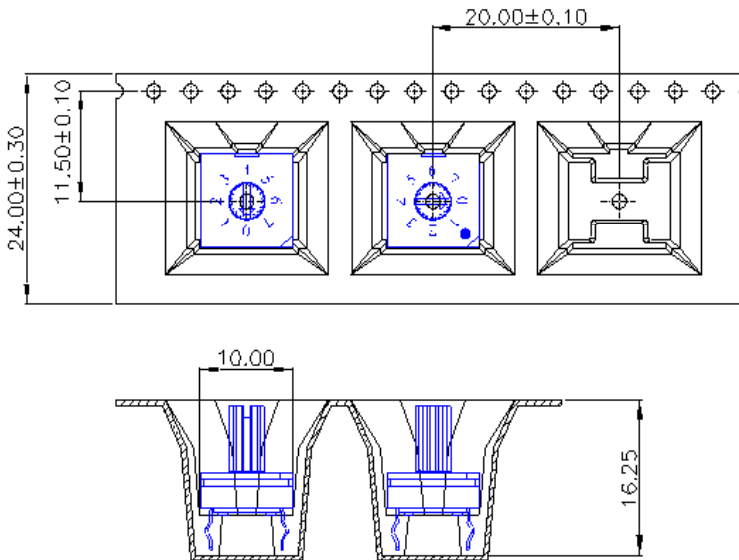
<b>MODEL</b>	<b>SPECIFICATION</b> Rotary Coded Switch RoHS&REACH Compliant / Halogen Free	SP-006	Page
<b>R9 Series</b> <b>Thru-Hole Type</b>			6/6

**Tube Package:**

Thru Hole ROTOR		H/T Type 0mm ~ 1mm	H/T Type 3mm ~ 7mm
Per TUBE	(pcs)	50	50
BOX	(pcs)	4000	2000
CTN 1	(pcs)	8000	4000
CTN 2	(pcs)	16000	8000



**Tape & Reel package (for 7mm Rotor )**



**Box Dimension:**

- ◆ Tube ..... 57.0cm x 13.0cm x 12.5cm
- ◆ Tape & Reel ..... 34.5cm x 34.5cm x 15.0cm

**Carton Dimension:**

- ◆ Tube 2 Boxes..... 58.5cm x 29.0cm x 15.0cm
- 4 Boxes..... 58.5cm x 28.0cm x 27.0cm
- ◆ Tape & Reel 1 Box..... 34.5cm x 34.5cm x 15.0cm
- 2 Boxes..... 36.0cm x 27.5cm x 37.0cm

## X-ON Electronics

Largest Supplier of Electrical and Electronic Components

*Click to view similar products for [Coded Rotary Switches](#) category:*

*Click to view products by [BIWIN](#) manufacturer:*

Other Similar products are found below :

[PT65503RT](#) [Y36D02243FPLFT](#) [RTAP31S12WFLSP](#) [MADR-16H1](#) [GSER-10](#) [6KF001B-3S10R4-0](#) [EC11E153442W](#) [SC-2110](#) [SD-2010TB](#)  
[MER-16H](#) [EDR-08](#) [USR-10](#) [FSR-08](#) [FSR-04S](#) [ESR-16](#) [HAMR-10S](#) [SDR-10H](#) [QSR-16H](#) [HAMR-16](#) [FDR-04S](#) [EDR-16S](#) [ESR-10S](#) [QDR-](#)  
[08H1](#) [TDR-04](#) [EDR-08S](#) [ESR-16H](#) [QDR-10](#) [EDR-10S](#) [QSR-06S](#) [ESR-08S](#) [EC11E156040N](#) [EC11B15243DC](#) [EC35AH220501](#)  
[EC18AGB20406](#) [EC11E09244C3](#) [EC11G1534414](#) [EC11E156T402](#) [EC60A1520405](#) [EC11E1564454](#) [EC11J0925501](#) [EC11E15204B1](#)  
[EC11E1564439](#) [EC50A0920403](#) [ED103180-FE14.5S7.5-A16-1010](#) [ED08C030-FE18C9.0-A16-1002X](#) [ED08C210-FE18A6.0-A16-1002](#)  
[ED08C110-FE18S9.0-A16-1040](#) [ED08C150-BM20S6.0-A16-1026](#) [ED103010-SP17S8.0-A16-1012](#) [ED113020-FB15S7.0-C12-0005](#)